

Acrotec Group

FEDERATING TALENTS TO BETTER SERVE OUR CUSTOMERS



 **MICROWELD**[®]
in LIGHT



1997

Microweld start up

TIG / Micro plasma only
Pulsed YAG technology
Continuous Wave YAG
Scanner technology
Fiber laser technology

2011

ISO 9001 & 13485

First plant in Chavanod → Medtech mainly

Micro-cutting technology
Femto Laser Black-Marking technology
Laser Micromachining technology
Laser Disk 6kW 5 axis

2021

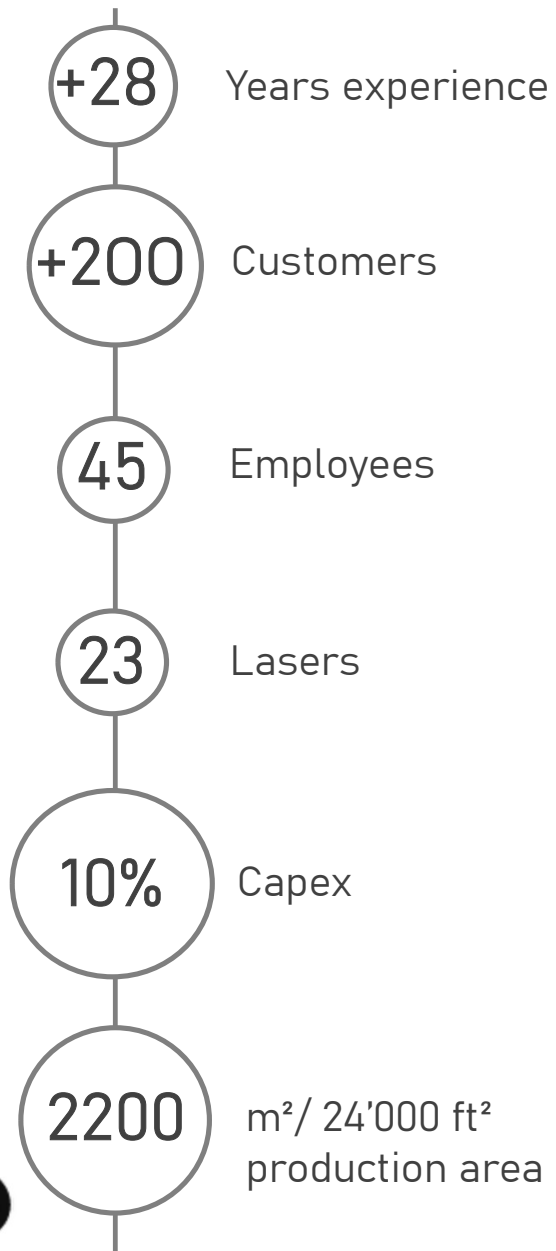
Microweld joins ACROTEC Group as laser specialist
New Business development strategy
for Cardio Vascular and HighTech precision

2024

Development of the second plant

- Specific production unit for micro-components
- Laser machining 2D/3D, EDM









LARGE SERIE LASER
MICRO-WELDING



SMALL TO MEDIUM SERIE
MICRO-WELDING



LASER MARKING
ENGRAVING ABLATION
TEXTURING

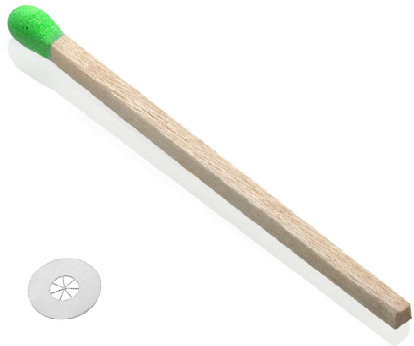


LASER MICRO-CUTTING

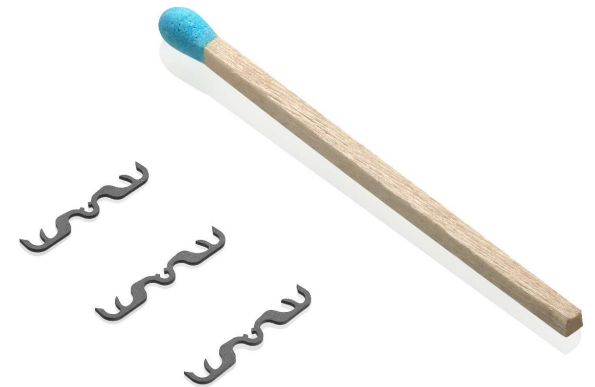
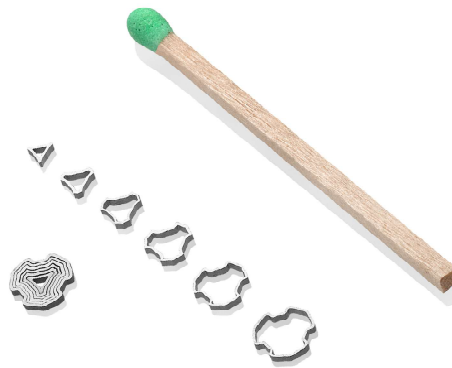
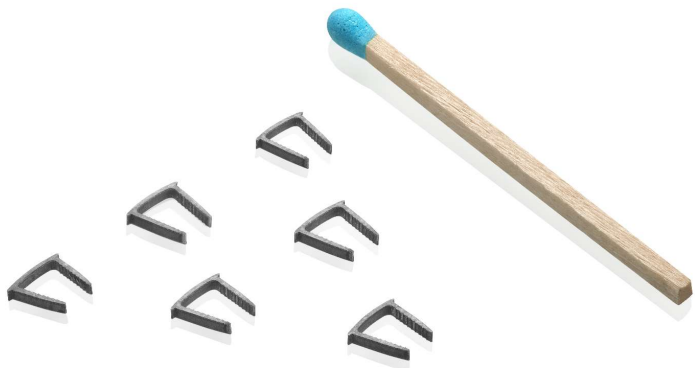


MICROWELD
in LIGHT

Our core knowledge



Nitinol - Ceramic - Stainless steel - Diamond - Tantalum - Silicium



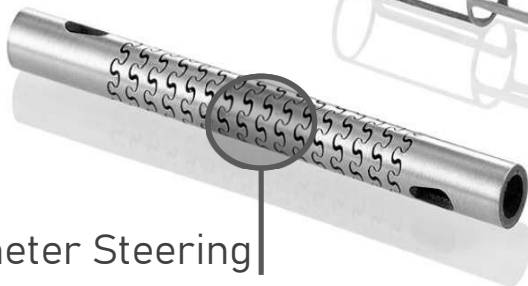
Microtube cutting
Up to 0.20mm OD



Nitinol cutting and shapping



Catheter Steering



Microtube cutting



MICROWELD[®] in LIGHT

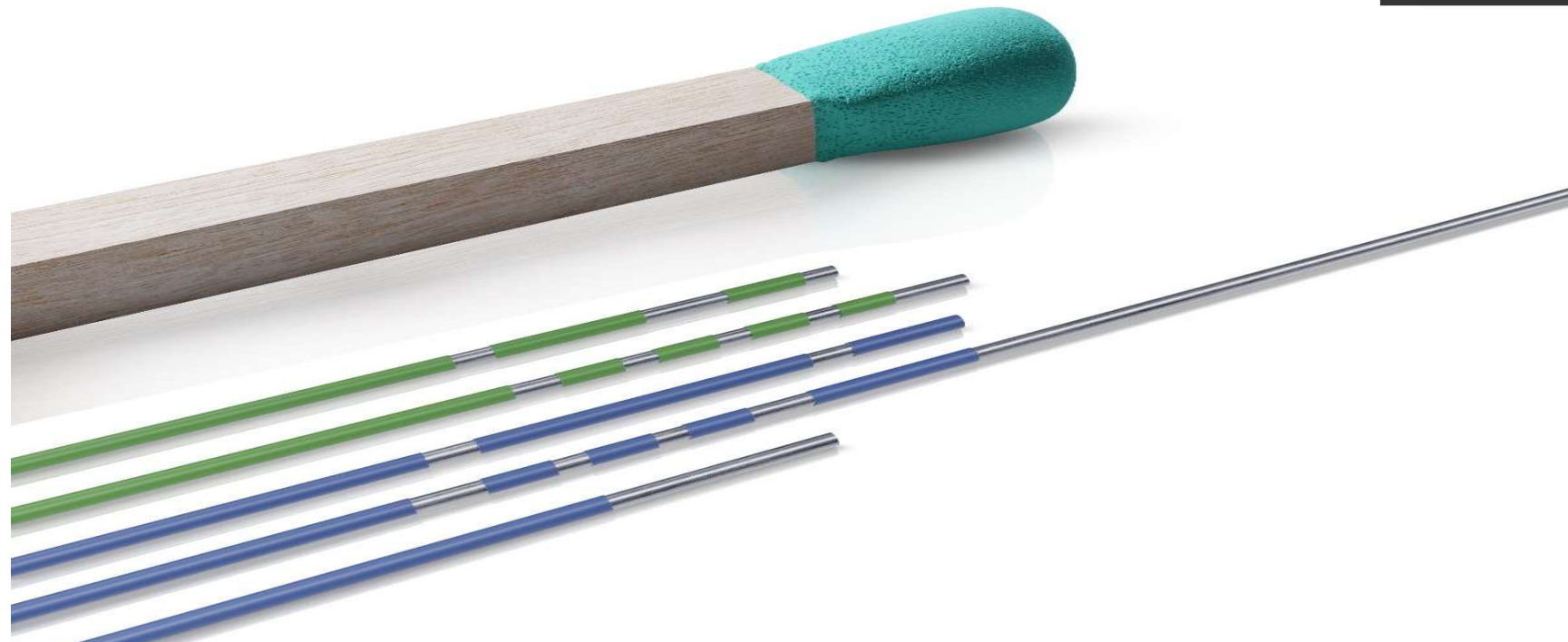
Laser tube cutting

Hypotube patterning

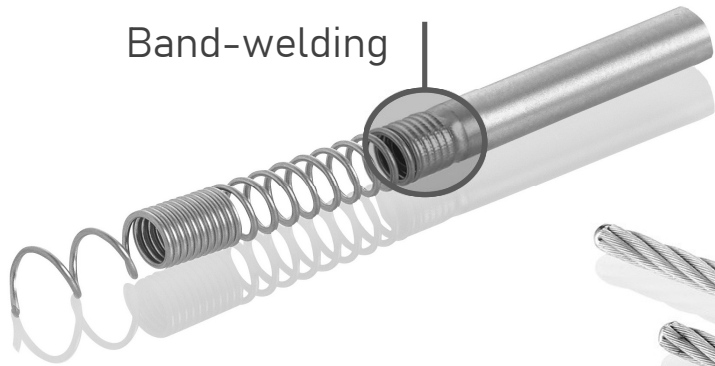


 **MICROWELD**[®]
in LIGHT

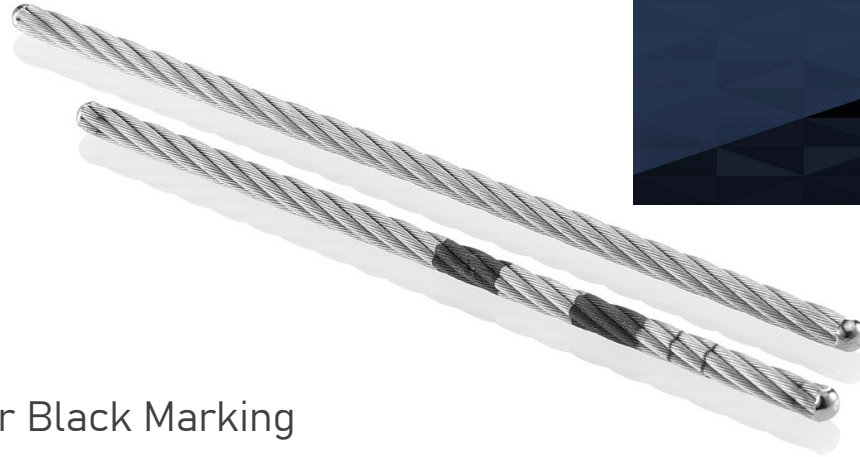
Guide wire ablation



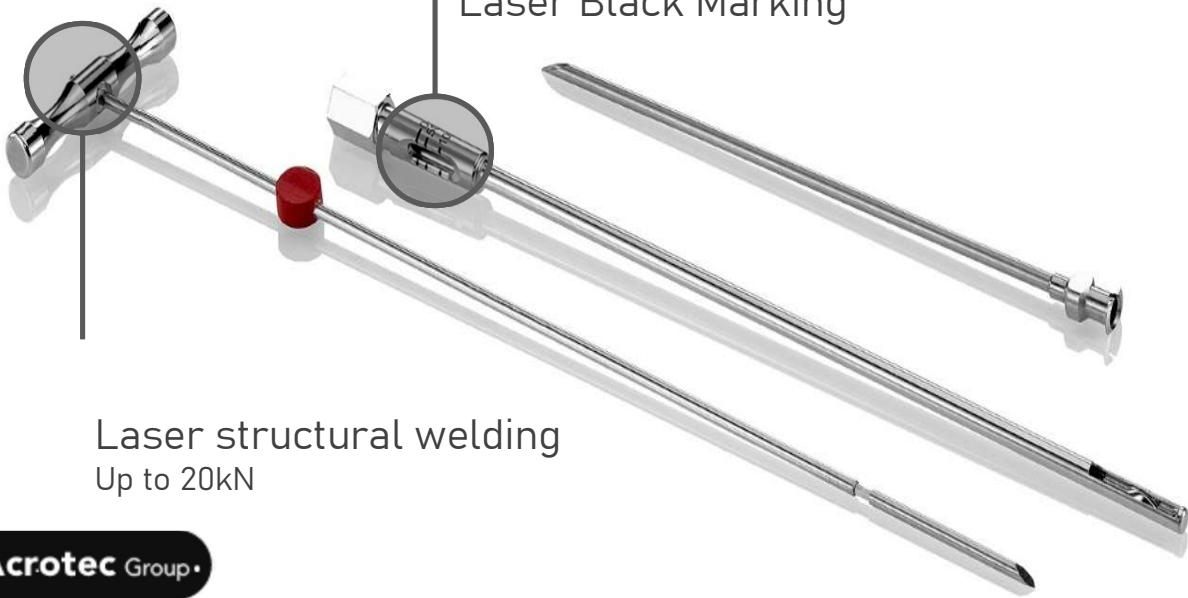
Acrotec Group •



Band-welding



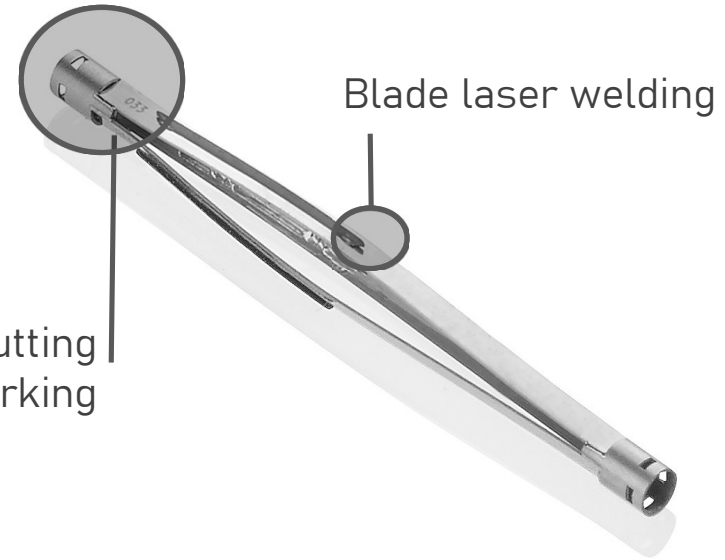
Laser Black Marking



Laser structural welding
Up to 20kN



Parts gallery



Laser cutting
Marking

Blade laser welding



MICROWELD
in LIGHT

Orthopedic implants
& Tooling





MICROWELD
in LIGHT

Mecatronic &
Assembly



Certifications

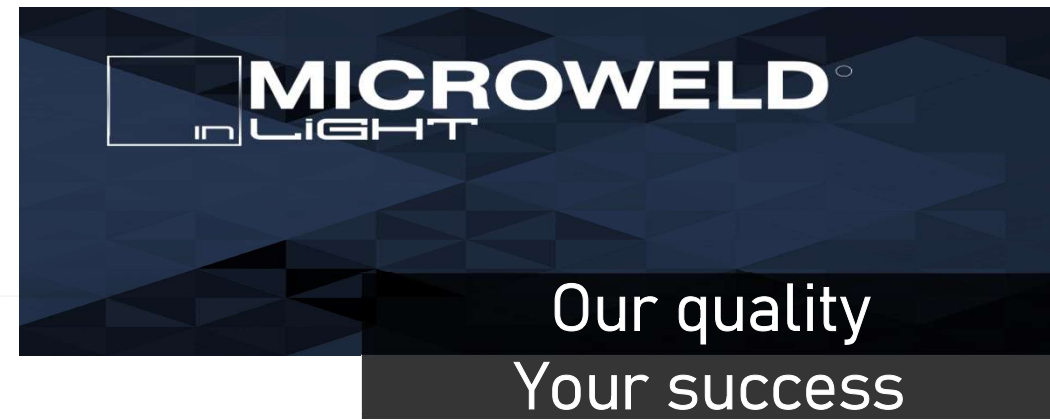


Third part certifications

Process qualification IQ/OQ/PQ

Internal welding certification (expertise)

Optical Vision Devices



 **MICROWELD**[®]
in **LiGHT**

Thank you for your attention

