



... the passion of Professionals

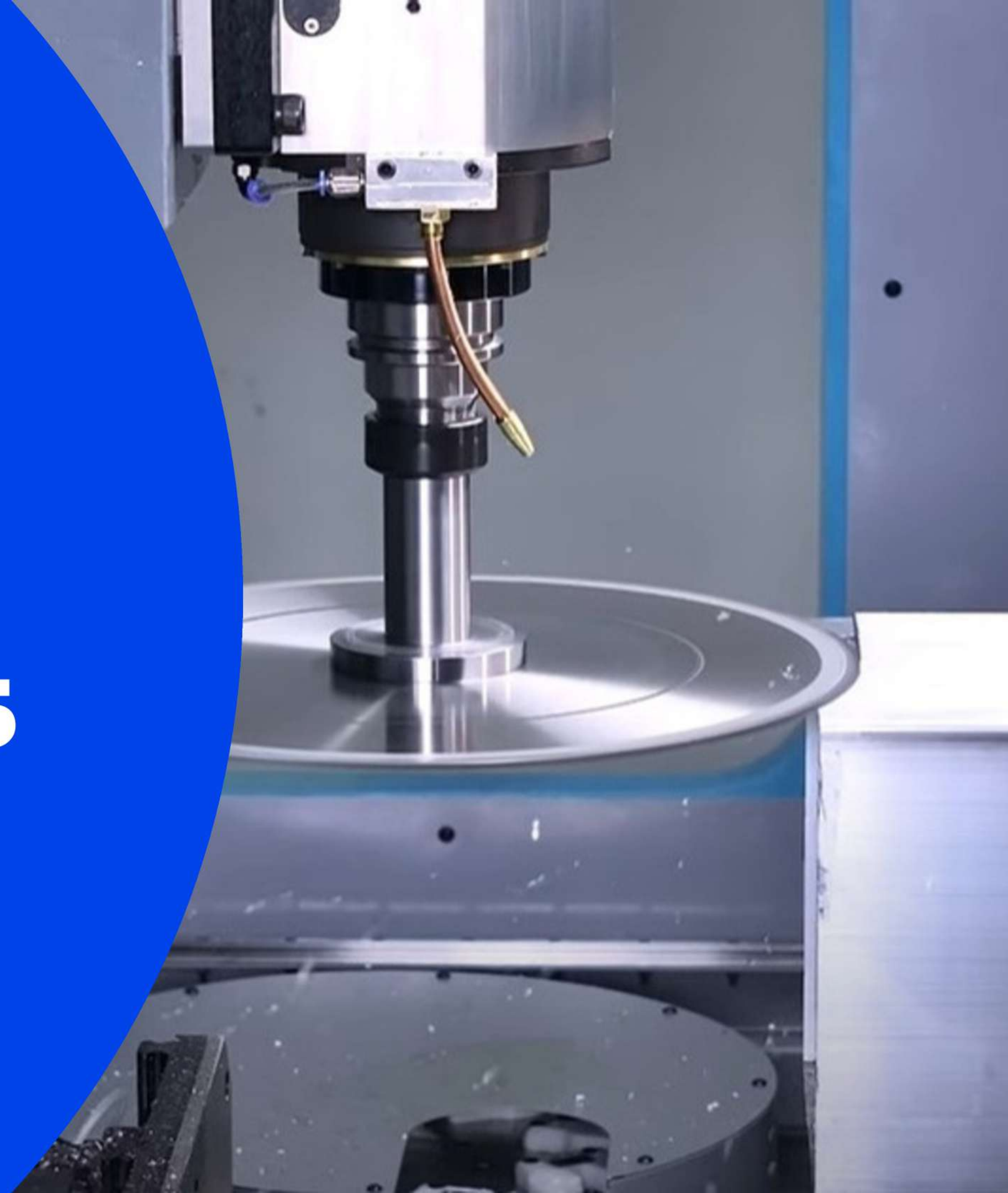
Business Development & Sales

Hulya Cicekci, Mrs.,

Founder, Metallurgical Eng.

hulya@nexustechnica.com

+359 877 01 1921





Company Overview

At Nexus Technica®, we do things just a bit differently. We dare to take the initiative and to tackle tough new challenges, because we know that it is only by stepping outside our comfort zone that we can grow.

14+

Years
Experience

25+

Customers

17+

CNC in Production

7/24

Online Service



Meet aluminum the miracle metal



Building & Construction

Windows & Doors
Architectural Designs
Facades
Scaffolds



Automotive

EV Battery Tray Components
Roof & Door frames
Structural members



Railway & Transportation

Complex welded assemblies
Side & Floor Panels
Crash Elements
Front Sections
Roofs



Energy

Solar Energy Mounting Systems
Accessories

The Aluminium Meets *infinite* Technology

Client Focus

We are a customer-centric business.

Innovation

Change is essential to improving the way we build the future together.

Trust

Our target is to win and keep of your trust.

Commitment

Our aim to be the preferred business partner to the Aluminium machining industry through our solution driven approach with customer satisfaction front of mind.

Collaboration

You buy technology from us, not just machines. We listen to you and produce the best solution together.

Continuous improvement

Through innovation, dedication, co-operation and enthusiasm, we aim to provide superior products and services to each of our customers and to make this sustainable.



NEVA WX5

Double Head 5 Axis 22000 CNC Aluminium Machining Centre

Processed profile length is 17 mt.
Total length 22 mt.

At Nexus Technica® offers a complete range of Double Head 5-axis CNC machining centres, specially designed for automatic tooling of exceptionally long aluminium profiles and panel profiles (e.g., aluminium profiles that are laid next to, and welded to each other to construct a large floor for a train, long truck trailer and long construction profiles).



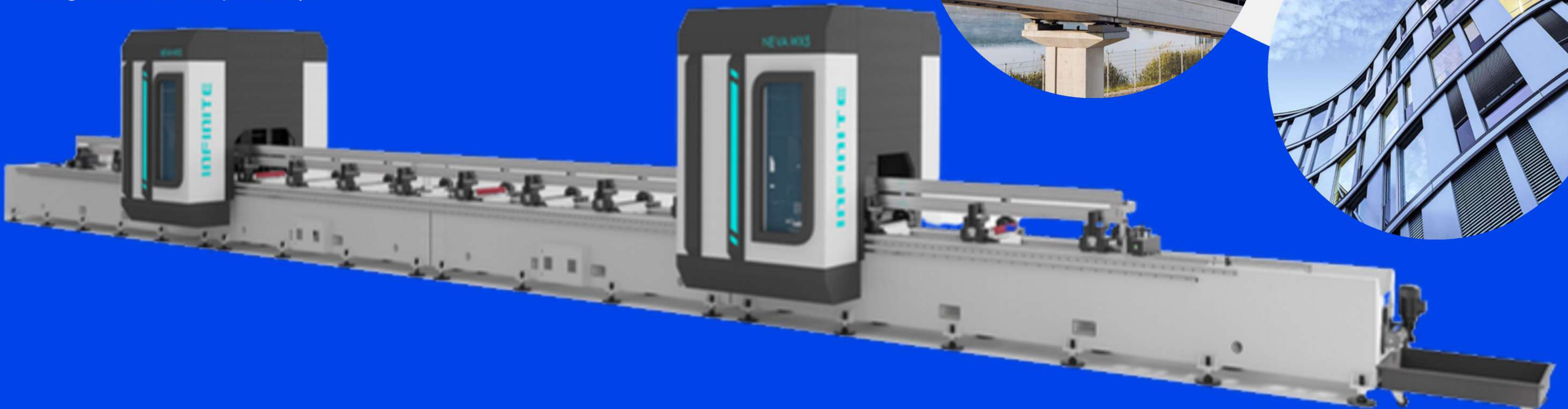
Truck Parts



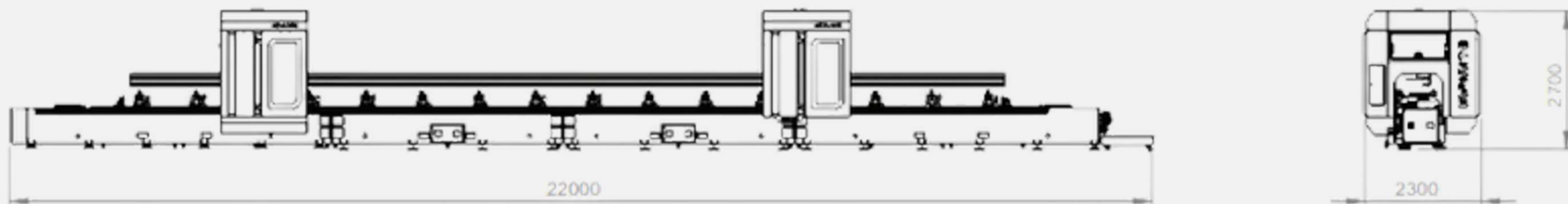
Railway Bodies



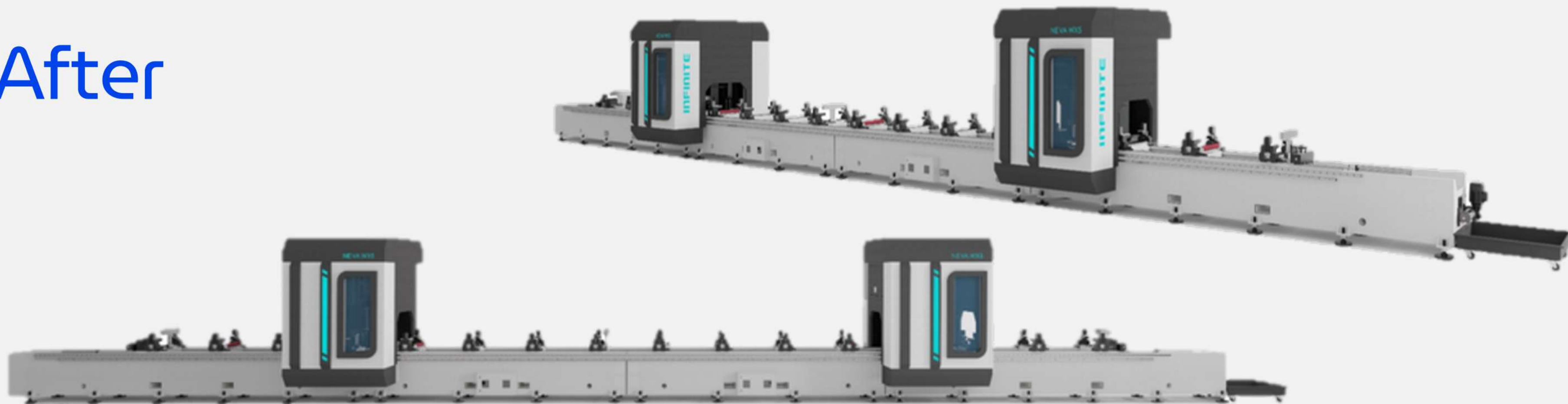
Facade Systems



Before



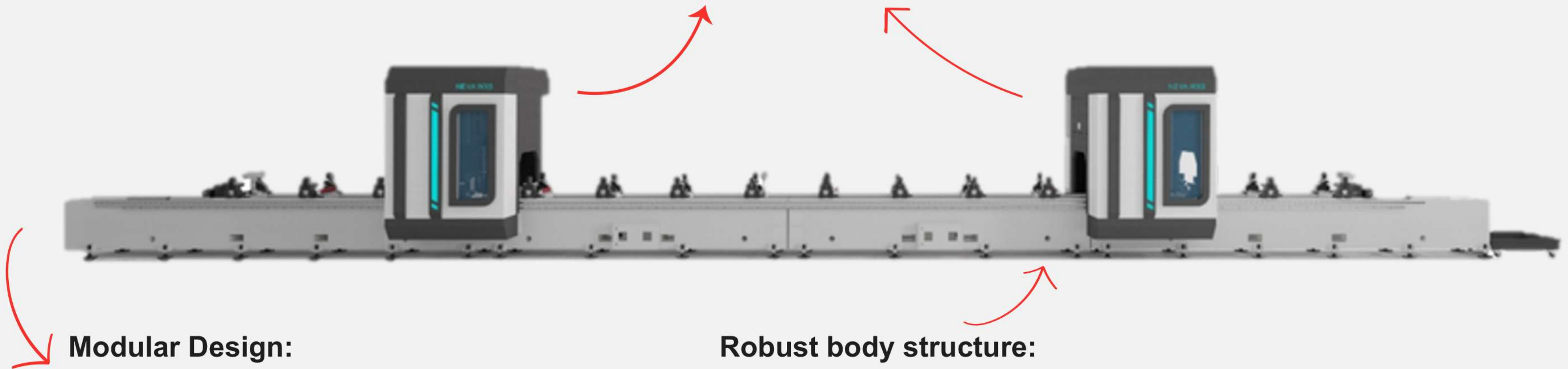
After



Body

Double Head Option:

Complete the process on a single machine instead of two, especially under heavy mechanical process conditions. Space saving at the production site. More capacity in shorter time with less operators.



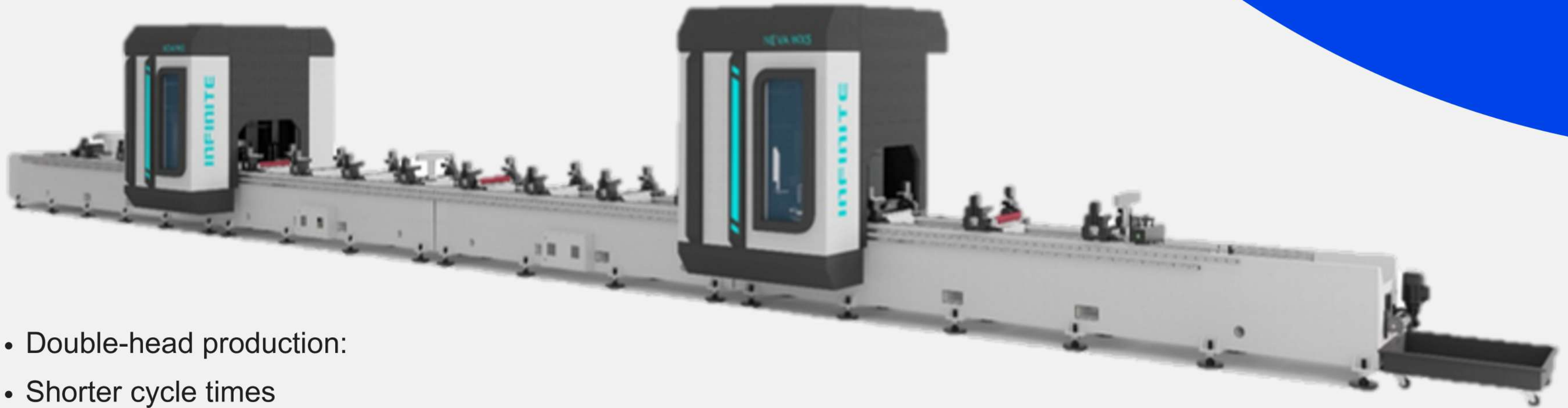
Modular Design:

- 4 metre and 6 metre long structural components allow the body to be manufactured to the required length. Allows the CNC to be modified for different projects

Robust body structure:

- The body is made of carbon steel, manufactured by the welding process and stress relieved. It offers great advantages in various environments, for long operating cycles and for achieving high precision.

Workstations



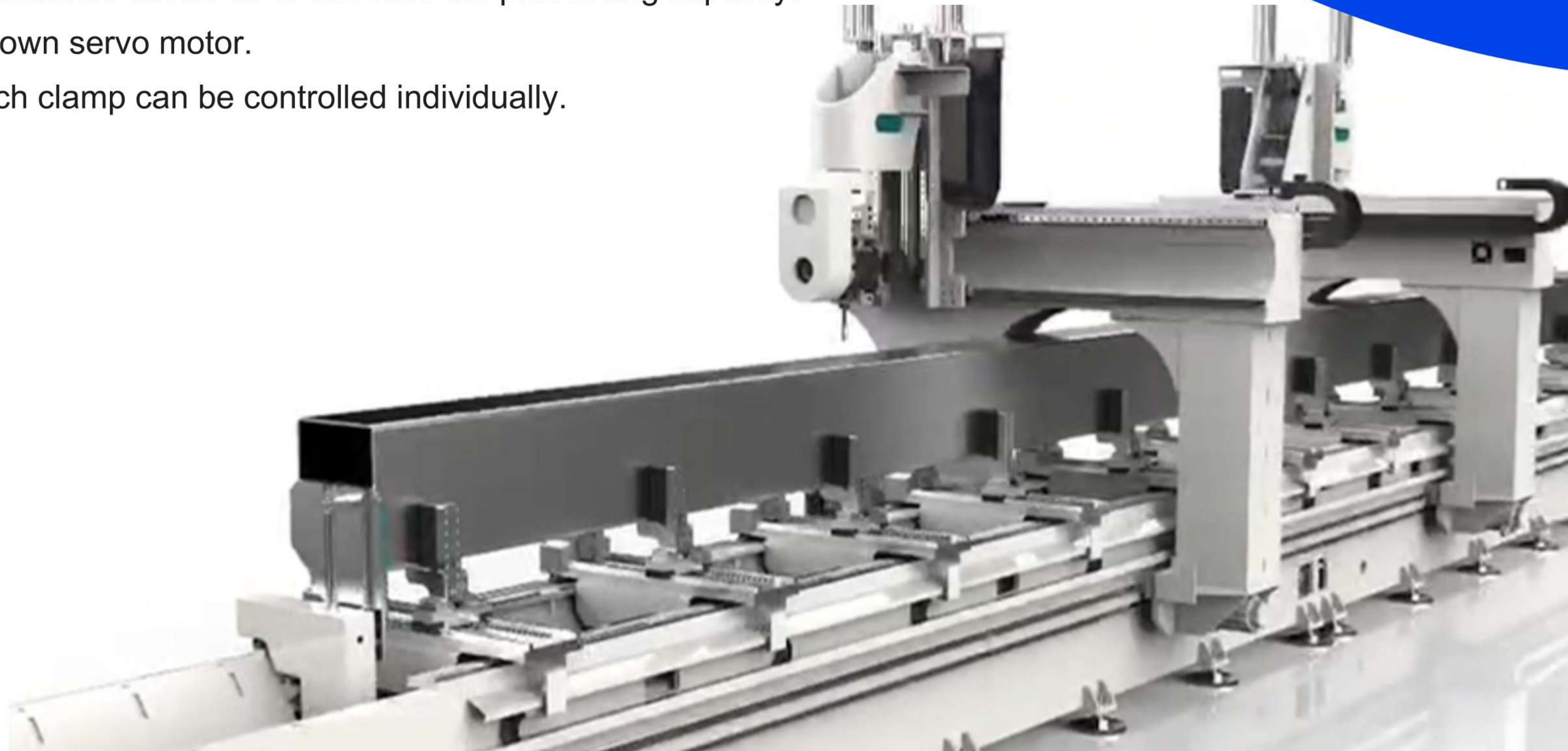
- Double-head production:
- Shorter cycle times
- Each head with its own tool magazine (8+1)
- Two separate tool measuring probes on each machining centre
- Profile zero point determination with laser in X-direction without manual operation
- No return to the park position after machining is complete
- Possibility to operate the machine in two or more zones

Ability to machine two or more workpieces simultaneously with different programmes.

CNC Axis

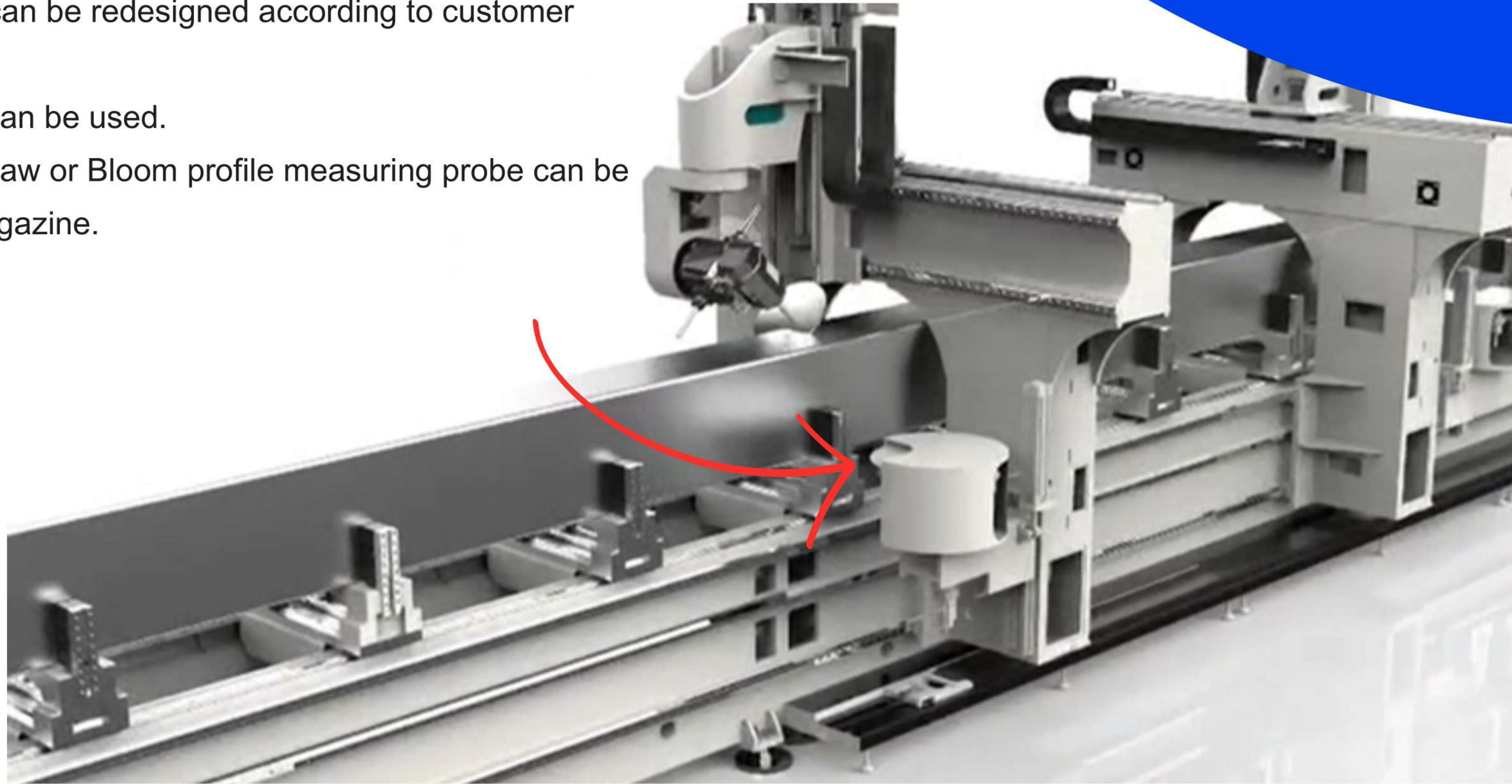
More than 5 Axis:

- Why 30 Axis?
- The number of servomotors allows us to increase the processing capacity.
- Each clamp has its own servo motor.
- This means that each clamp can be controlled individually.



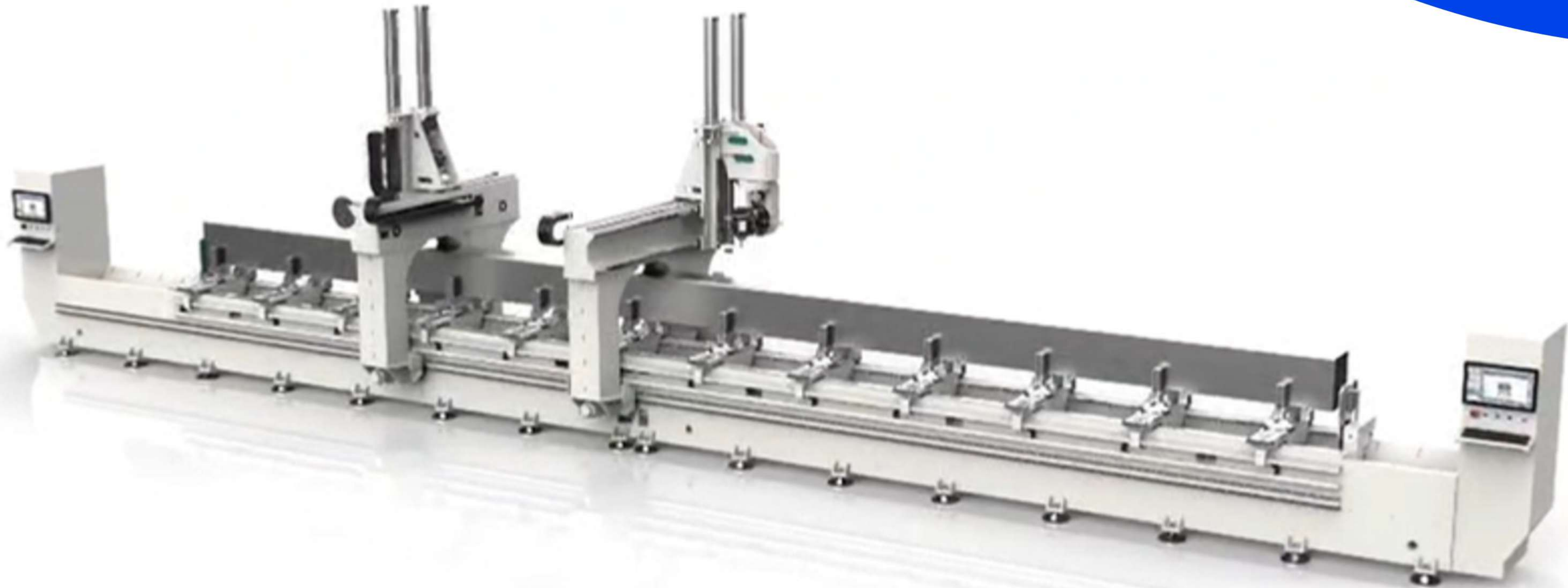
Tool Magazine

- 8 (tool holder) + 1 (saw blade)
- The tool magazine can be redesigned according to customer requirements.
- An R 600 mm saw can be used.
- Optionally, a Renishaw or Bloom profile measuring probe can be integrated in the magazine.



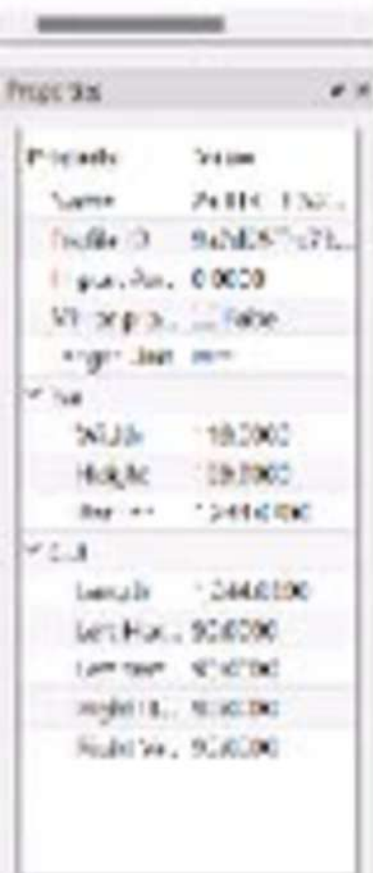
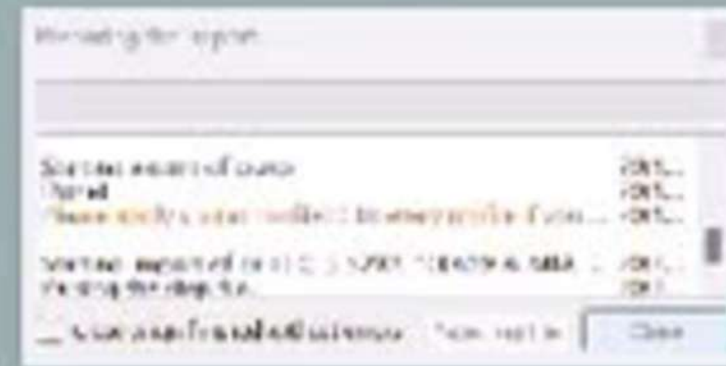
Control Panel

- FAGOR 8070 OL SUMILTANE
- CAMPROX SOFTWARE
- CADXTRACT Data Converter



Software

- CAMPROX SOFTWARE
- CADXTRACT Data Converter
- Can be connected to ORGADATA, UNILINK etc.
- Simply converts the data to .stp.



Process	Value
Name	24114_130...
Profile (3)	94285771...
Equation	00000
VI (step)	False
Angle (deg)	...
✓ Y	
Y Min	-10.000
Y Max	10.000
Y Step	2.00000
✓ Z	
Z Min	-244.000
Z Max	90.000
Z Step	0.10000
Height	90.000
Radius	90.000



BMW Assembly Line Automation Project

4 Station

Placed 32 rivets on parts then camera checking quality control on mechanism.

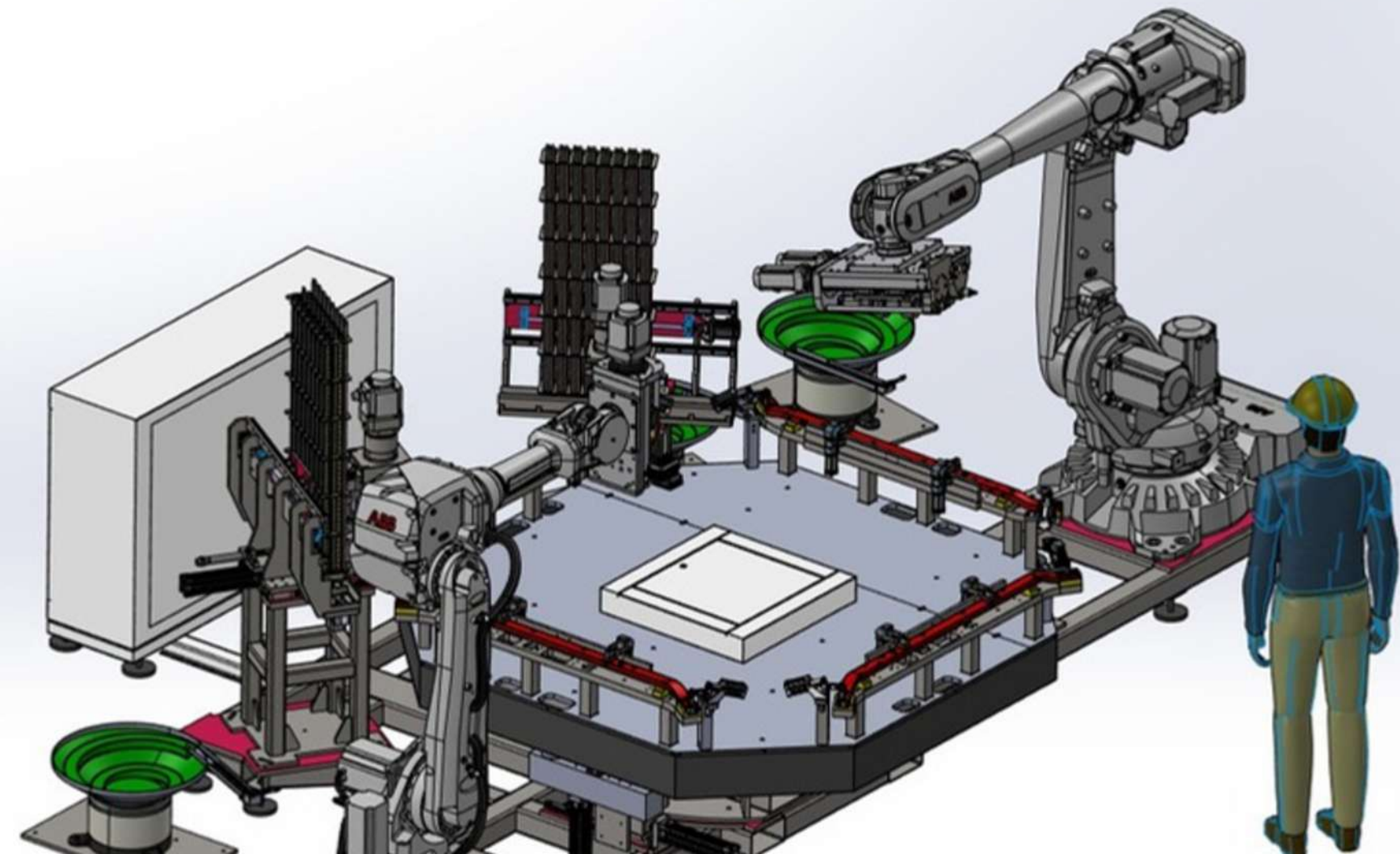
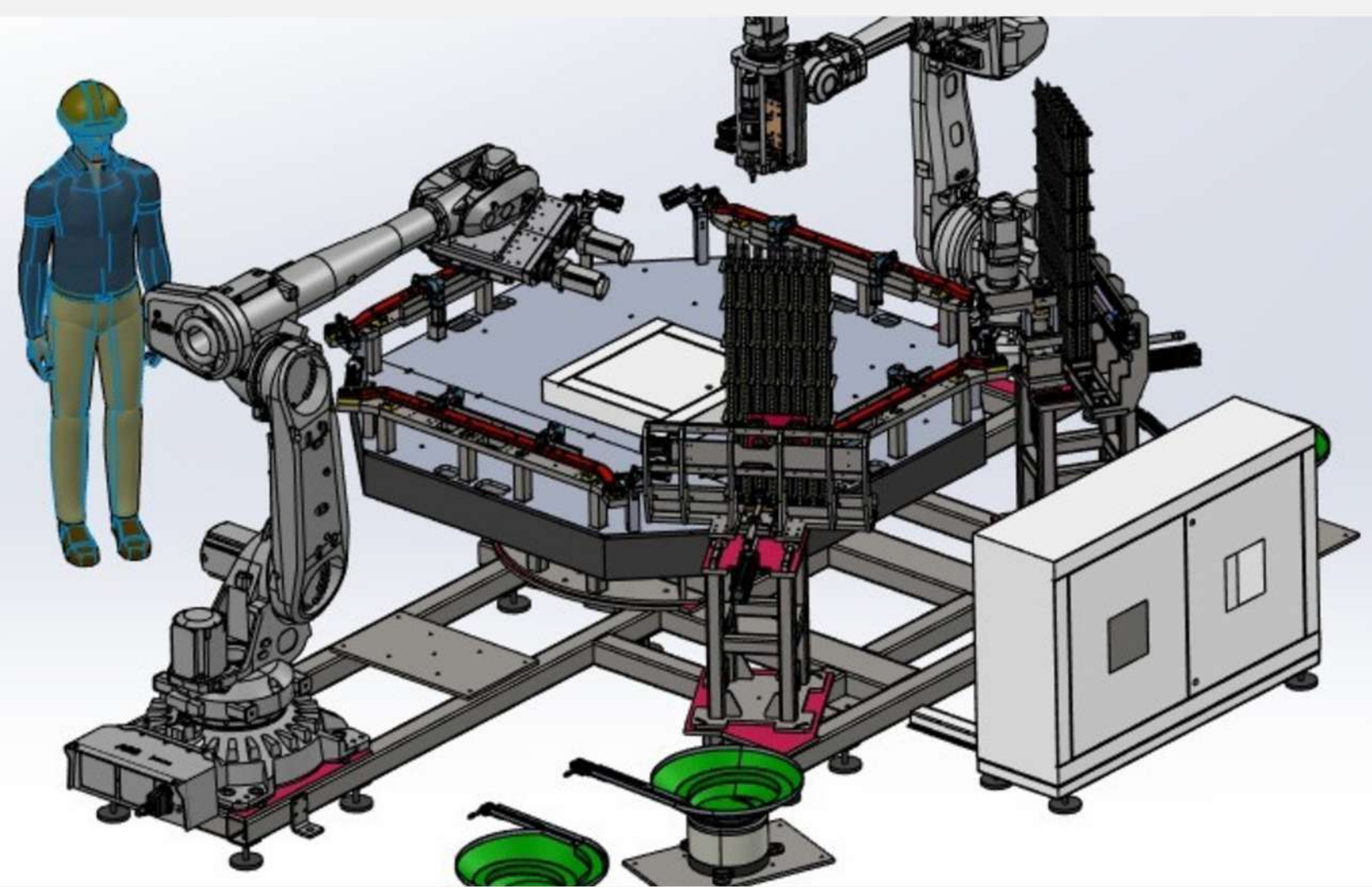
In-house Engineering and Software Development

Challenge: 27 min to 120 sec

27 min to 120 sec

Tailored Designs

The fact that each clamp is managed by its own servo allows the clamps to be managed separately, the machine can be divided into 2-3-4 or more zones and different programs can be managed.





Mercedes Truck Trailer Production

State-of-the-Art CNC Machines

Double Head 5 Axis (30 AXIS) 22 Metres CNC Aluminium Profil Machining Centre
2 Seperate Tool Magazine on each stations.

In-house Engineering and Software Development

Challenge: The lenght of profile to be machined is 17 metres. Total lenght of machine is 22 Metres. the 30 Axis means each clamp on the machine manage by own servo motors on it. There are

Tailored Designs

The fact that each clamp is managed by its own servo allows the clamps to be managed separately, the machine can be divided into 2-3-4 or more zones and different programs can be managed.





NEVA WX5

**Double Head 5 Axis 22 mt
CNC Aluminium Machining Centre**

The Profile length is machined 17 mt.

**Railway Systems
Transportation Trailers
EV Battery Storages**

INFINITE NEVA WX5 30 AXIS 22 MT
CNC PROCESSING MACHINES



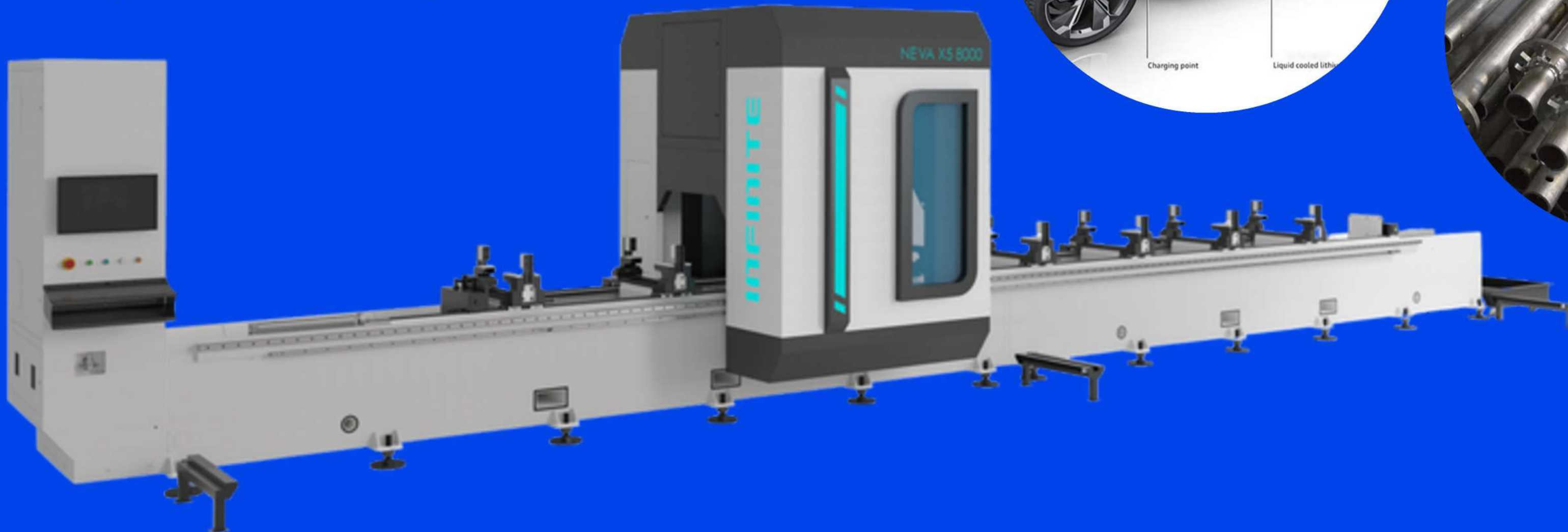
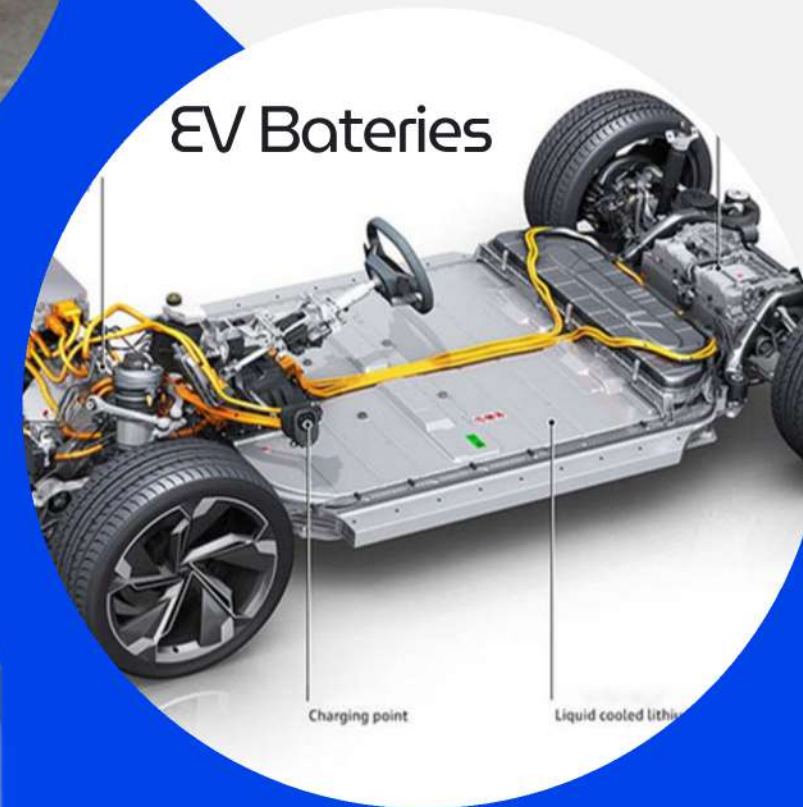


NEVA X5P 5 Axis Aluminium Machining CNC Centre

Why Choose Nexus Technica?

Our clients don't just purchase a product—they gain access to a technology ecosystem that ensures:

- Higher productivity.
- Seamless integration into existing workflows.
- A trusted partner for innovation and growth.





INFINITE MEKATRONİK




NEVA X5P 11000

NEVA X5P 5 Axis Aluminium Machining CNC Centre

The Machine size can be optimised.

Automotive
Building & Construction
Solar Energy Systems
Railway & Trailer
Aviation & Defence

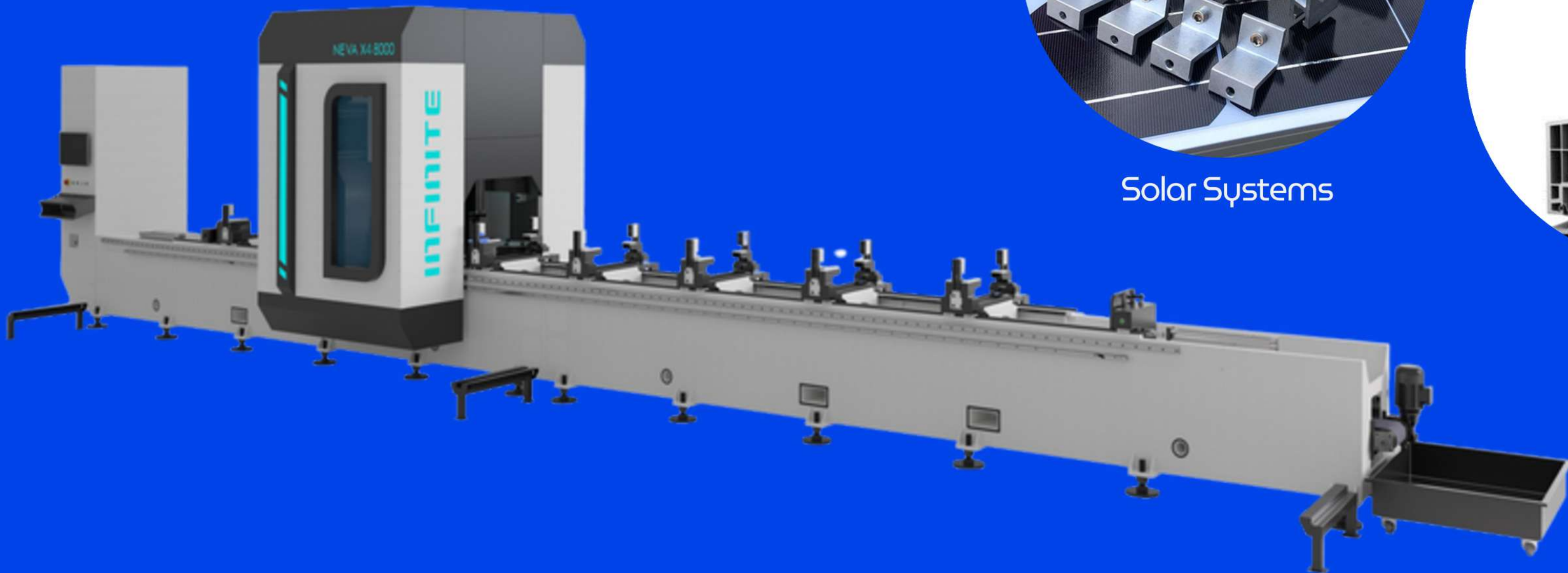


 info@infinitemakina.com
 0224 441 03 84
 www.infinitemakina.com



"At Nexus Technica, we don't just provide machines; we deliver solutions that empower your business to meet the highest standards of precision, efficiency, and innovation.

Now its time to work smarter!



Aluminium Accessories



Solar Systems



Windows
Doors

Nexus[®]
TECHNICA

NEVA X4 8000

INFINITE

NEVA X4P
4 Axis

Aluminium CNC Machining Centre



"At Nexus Technica, we don't just provide machines; we deliver solutions that empower your business to meet the highest standards of precision, efficiency, and innovation.

Now its time to work smarter!



Windows & Doors Production



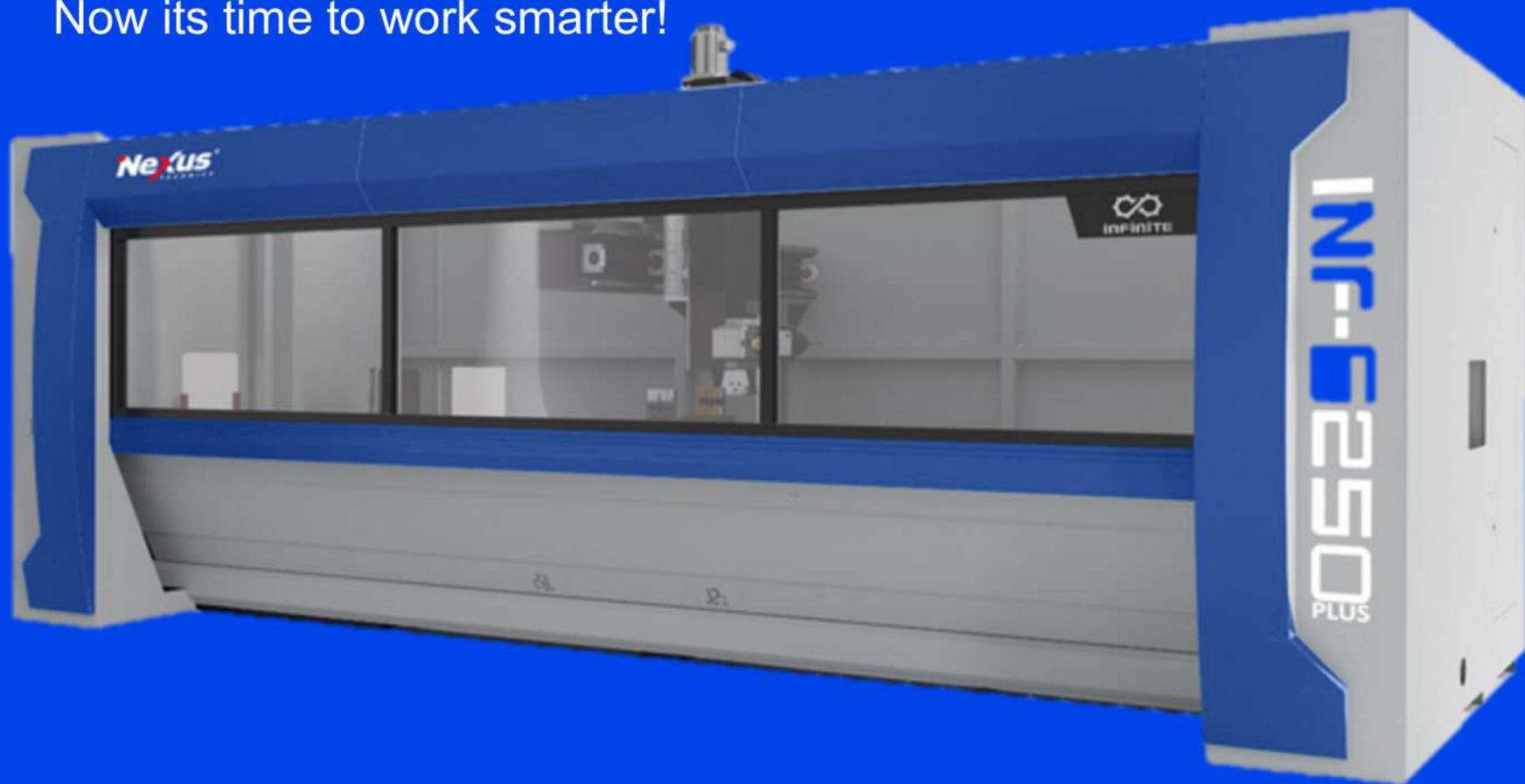
Pergolas & Shading Systems



Awning Systems

INF 4250 4 & 5 AXIS INF 6250 4 & 5 AXIS

Aluminium Machining CNC Centres



INF 4250 4 & 5 AXIS
INF 6250 4 & 5 AXIS

NEVA 4XA



EFC 2000 MULTI

Aluminium Serial Cutting Drilling Milling
CNC Centre

Windows & Doors Production
Building & Construction
Pergola & Winter Garden
Facade Systems
Solar Energy Systems
Sun Shading &
Awning Systems

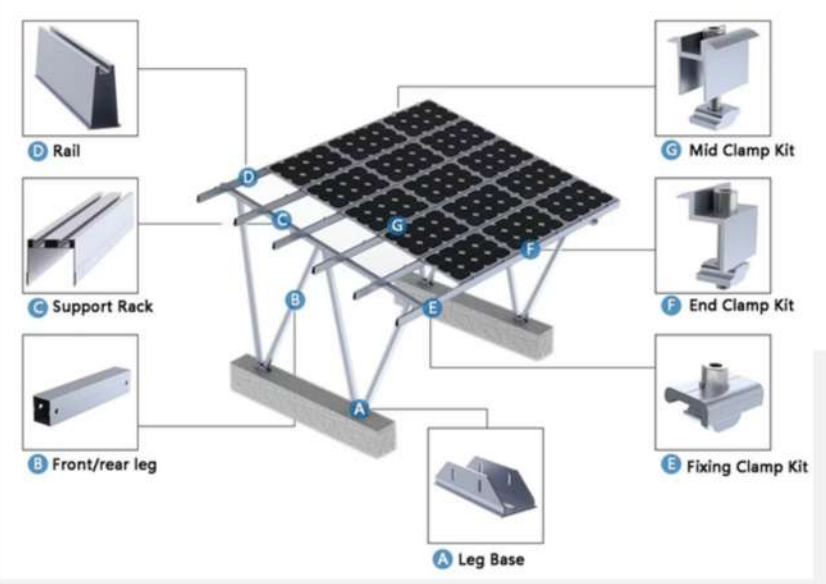
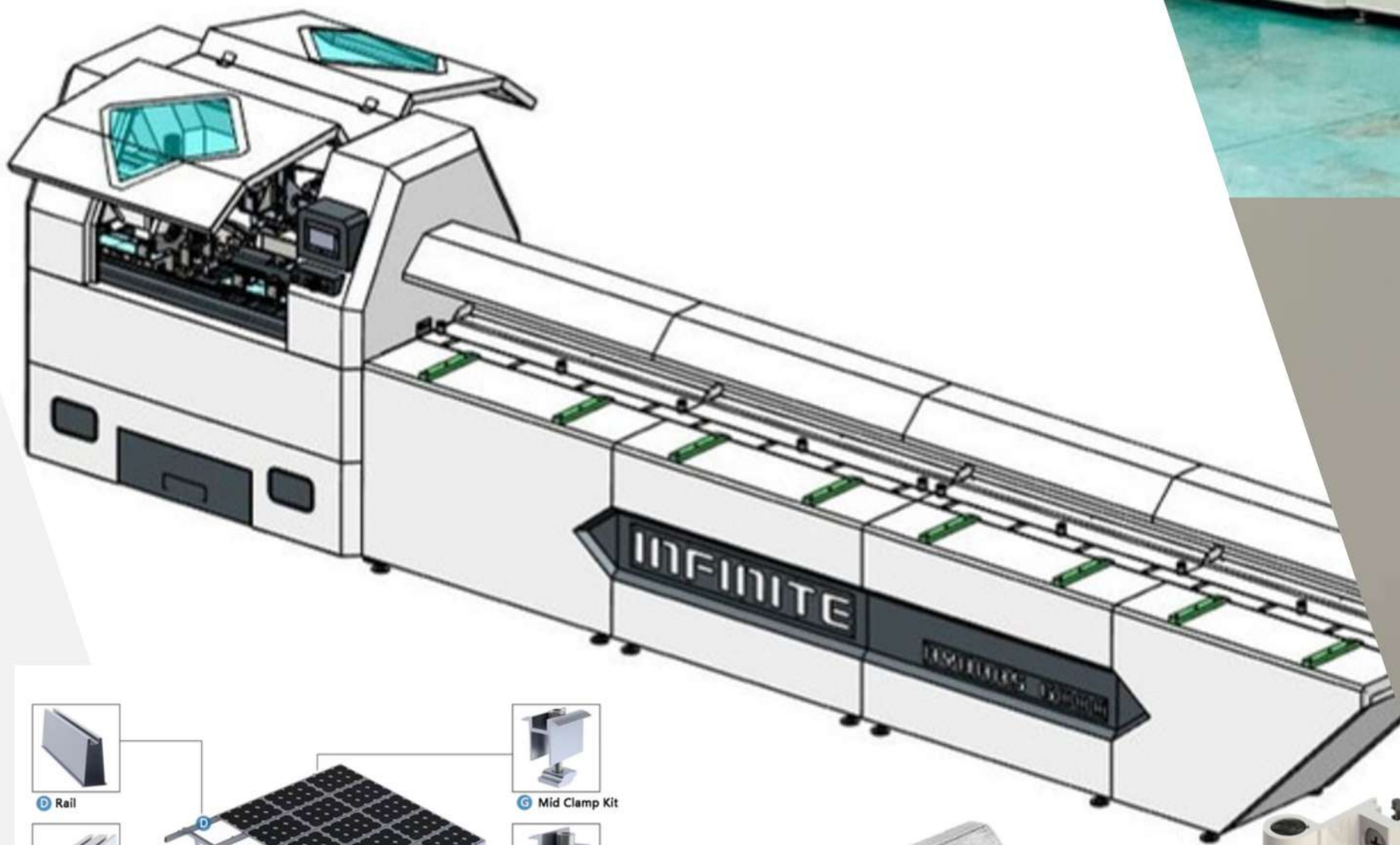
INFINITE



**In video automatic loading & unloading is optional

AYBARS 6000

Although we produce universal machines, we can customise our machines according to our customer's projects.





Conclusion

"At Nexus Technica, we believe in more than just delivering cutting-edge technology—we believe in building lasting partnerships that drive innovation and growth. By choosing us, you're not just investing in state-of-the-art machinery; you're gaining a dedicated partner committed to your success. Together, we can redefine what's possible in aluminum processing and shape the future of manufacturing. Let's create that future—starting today."

E-Catalogue





Let's Work Together

NEXUS TECHNICA Ltd., str.
Trakia, Nextor Abadjiev str 25,
Plovdiv 4023, Bulgaria, p.o.b.15

(TR) +90 545 401 19 84

(BG) +359 (0) 877 01 19 21

hulya@nexustechnica.com

www.nexustechnica.com

Thank You !

