



www.dimtech.gr

**Air Pollution
Control Technologies, April 2026, Theodoros Aldakos,
International Business Development Manager,
t.aldakos@dimtech.gr**

dimtech
AIR EMISSIONS ABATEMENT

Company Profile

Dimtech is specialised in the engineering design and construction of air pollution abatement systems.

Dimtech focuses on providing sustainable and highly efficient odor abatement solutions in:

- wastewater treatment plants
- waste management facilities
- industry
- hotels
- museums



35 employees



2 production facilities

- Aspropyrgos facility
Offices & Metal production
- Mandra facility
Thermoplastics production

www.dimtech.gr

Company Profile



Aspropyrgos Facility (HQ & Metallic

Systems)



Mandra Facility (Thermoplastic Systems)



History

Sideris Eng. Ltd

Dimtech SA

Production of metal systems

New Factory

Moving to owned facilities

Thermoplastics

Establishing Production Sector

R & D

Dimtech
invests in R&D

Bio-X

A pilot Bio-X installed in a
main Pump Stations in
Athens

APPROVAL

78.000 m³/h Biotrickling filter gets
approved by Terna Energy

Milestone:

3100 systems in operation

1999

2007

2015

2016

2017

2019

2023

2024

What do we do?

We design and manufacture air emissions abatement systems, offering a wide range of technologies.

1. Dry Scrubbers



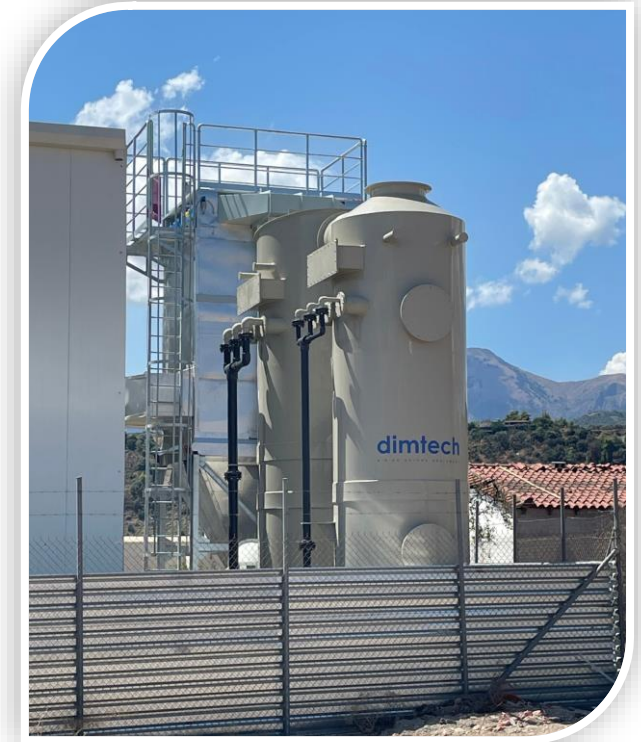
What do we do?

1. Dry Scrubbers



What do we do?

2. Wet Scrubbers

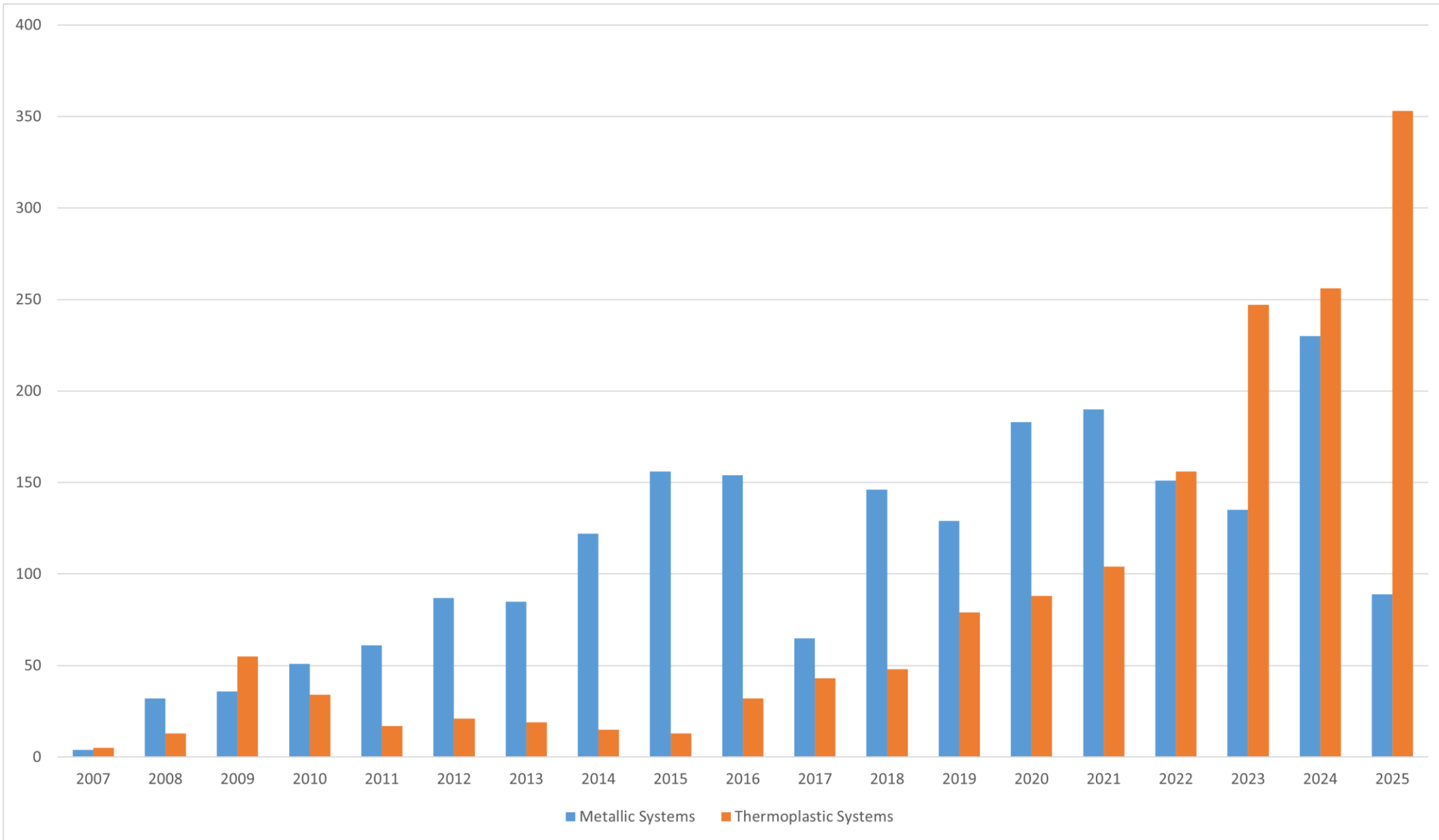


What do we do?

3. Biofilters



Production Growth



Our Philosophy

We offer our clients the optimal solution for each application, incorporating new technologies and materials.

Biotrickling Filters

Bio series

Biotrickling filters are an advanced technology for odor removal in waste and exhaust gases.

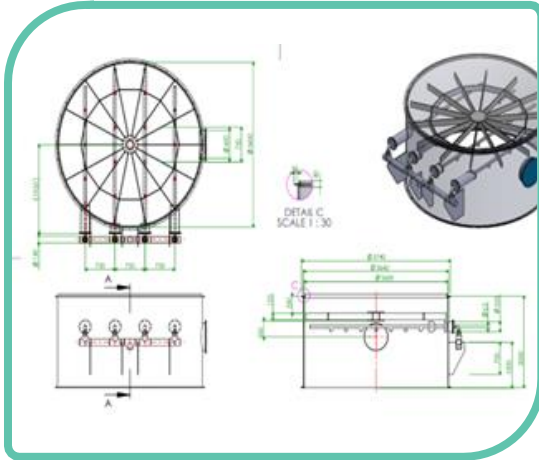
Dimtech's Bio series is a sustainable odor abatement solution for **wastewater/waste treatment plants and industrial facilities**.

They remove air pollutants such as **hydrogen sulfide, ammonia, and volatile organic substances (VOCs)** through biological processes.

Dimtech's biotrickling filters are a sustainable odor abatement technology based on natural processes with **zero chemical consumption**.



Biotrickling Filters



Manufacturing

Our biotrickling filters are constructed in-house by thermoplastic materials following the DVS standard

Design

Our engineering team designs each system according to the specifications and requirements of each application



Software

We have developed a software for continuous remote control and operation of our systems

Innoculum/ Nutrients

- Pollutant specific microbiom
- Nutrients adjusted to the needs of each microbiom



μBiom Advantages

- Highly active biomass
- High microorganisms concentration
- Small start-up period
- Absence of pathogens



Bio-X

Pollutants:
H₂S, R-SH
Innoculum:
μbiom X

Bio-N

Pollutants:
NH₃, amines
Innoculum:
μbiom N

Bio-V

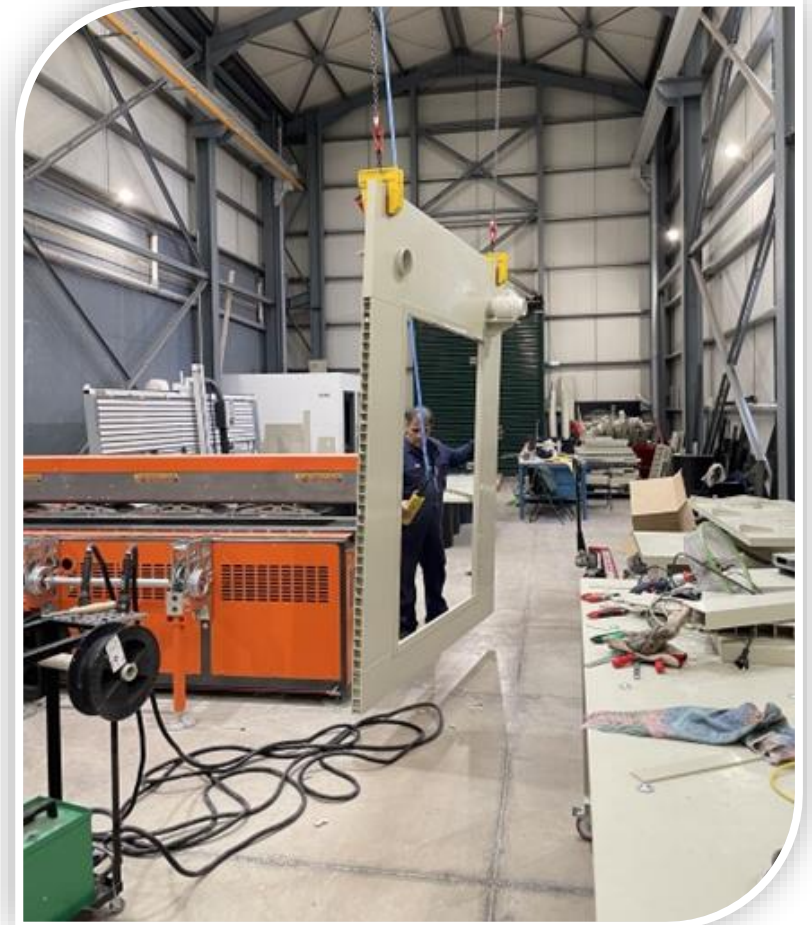
Pollutants:
VOCs, NH₃
Innoculum:
μbiom V

Construction

- In-house design & manufacturing
- Materials: Corrosion resistance materials (i.e., PP, HDPE)
- Use of PP materials with UV resistance additives



Construction



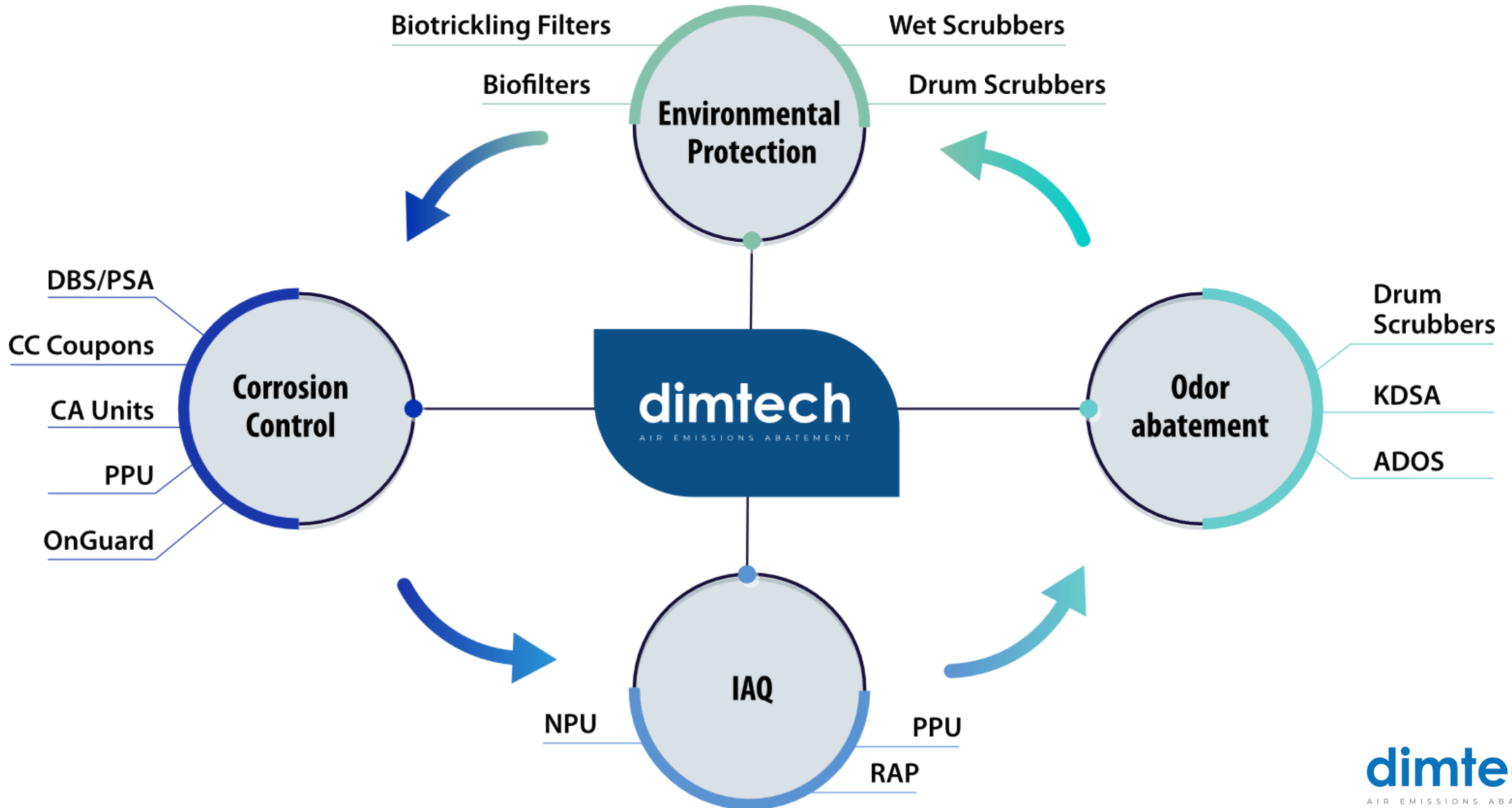
Construction



Construction



What do we do?



Success Stories



ΜΟΥΣΕΙΟ ΑΚΡΟΠΟΛΗΣ



Outlook of 2026





Thank you
for your attention