



YOUR SOLUTION PARTNER



**RECYCLING & REFINING
MACHINERY PRODUCTION**



Table of Contents

- 02 . Table of Contents
- 04 . Company Introduction
- 06 . E-waste Recycling Systems
- 08 . Battery Recycling Systems
- 10 . Catalytic Converter Recycling Systems
- 12 . Gold Refining Systems
- 14 . Mining Machine Production
- 16. Custom Design Systems
- 18 . R&D Laboratories
- 20 . Smelting Systems
- 22. Contact & Location



About Proses Makina

Proses Makina was established in 2010 as the only producer in the recycling and refining machines industry in Turkey. In particular, precious metals such as gold, silver, platinum, palladium, and rhodium can be processed in our systems.

Proses Makina also create custom processes based on customer requirements and engineering methods. These carefully designed processes are then provided as complete turnkey factories.

Vision

Our vision is to produce innovative, functional, profitable, modern machines in the recycling sector and make them useful for the benefit of society.

Mission

Our mission is to work for a clean and livable environment by supporting the recycling of raw materials, producing modern and technological machines that keep operators' health and business environment safe.





E-waste

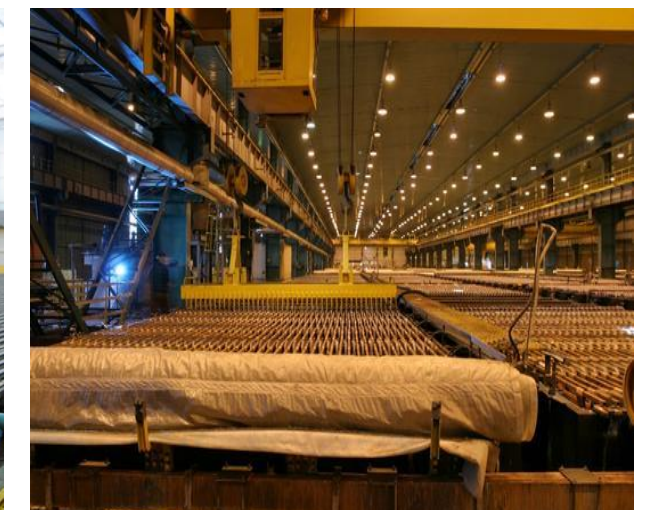
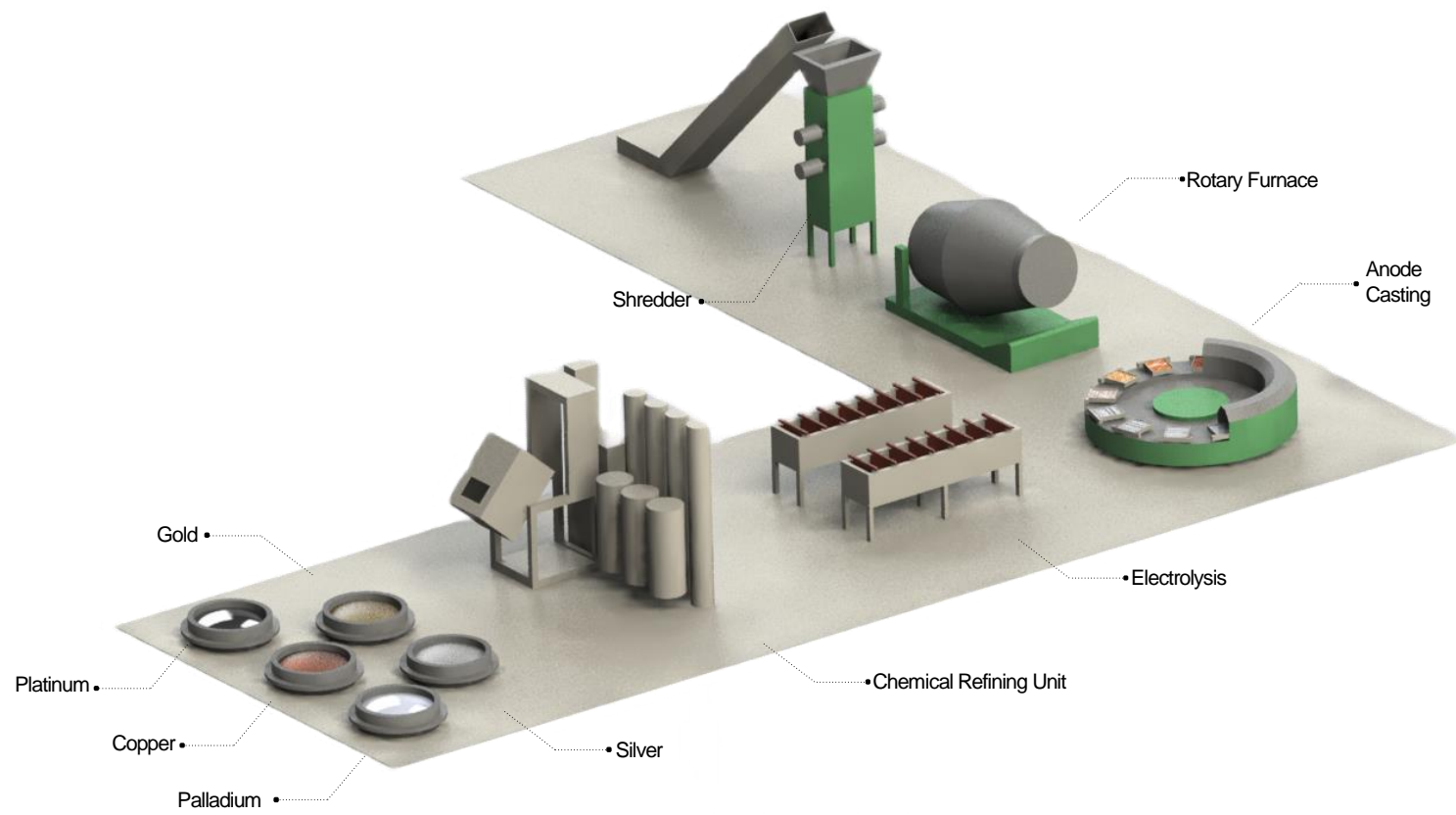
E-waste Recycling & Refining Systems

Proses Makina specializes in the manufacturing of cutting-edge recycling plants specifically designed to handle electronic waste to suit your capacity requirements. Our recycling process ensures unrivaled efficiency and the highest levels of purity in the market.

Our system is engineered with a comprehensive three-step approach that encompasses physical treatment, pyrometallurgical treatment, and chemical treatment. This multifaceted methodology guarantees the optimal handling and processing of electronic waste materials, maximizing resource recovery and minimizing environmental impact.

| Recycling & Refining Process |

E-waste
Recycling
Systems





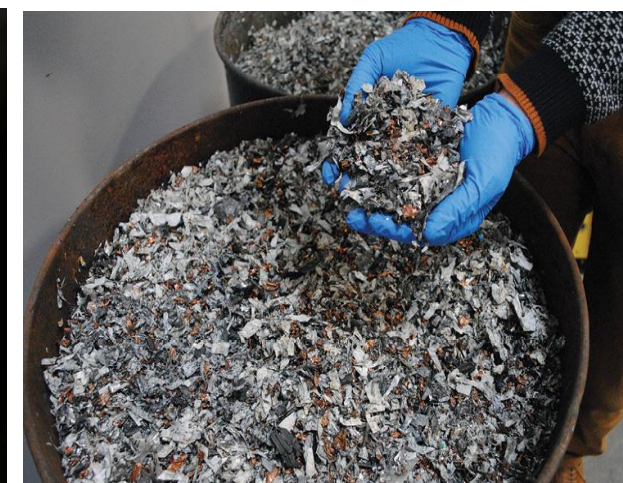
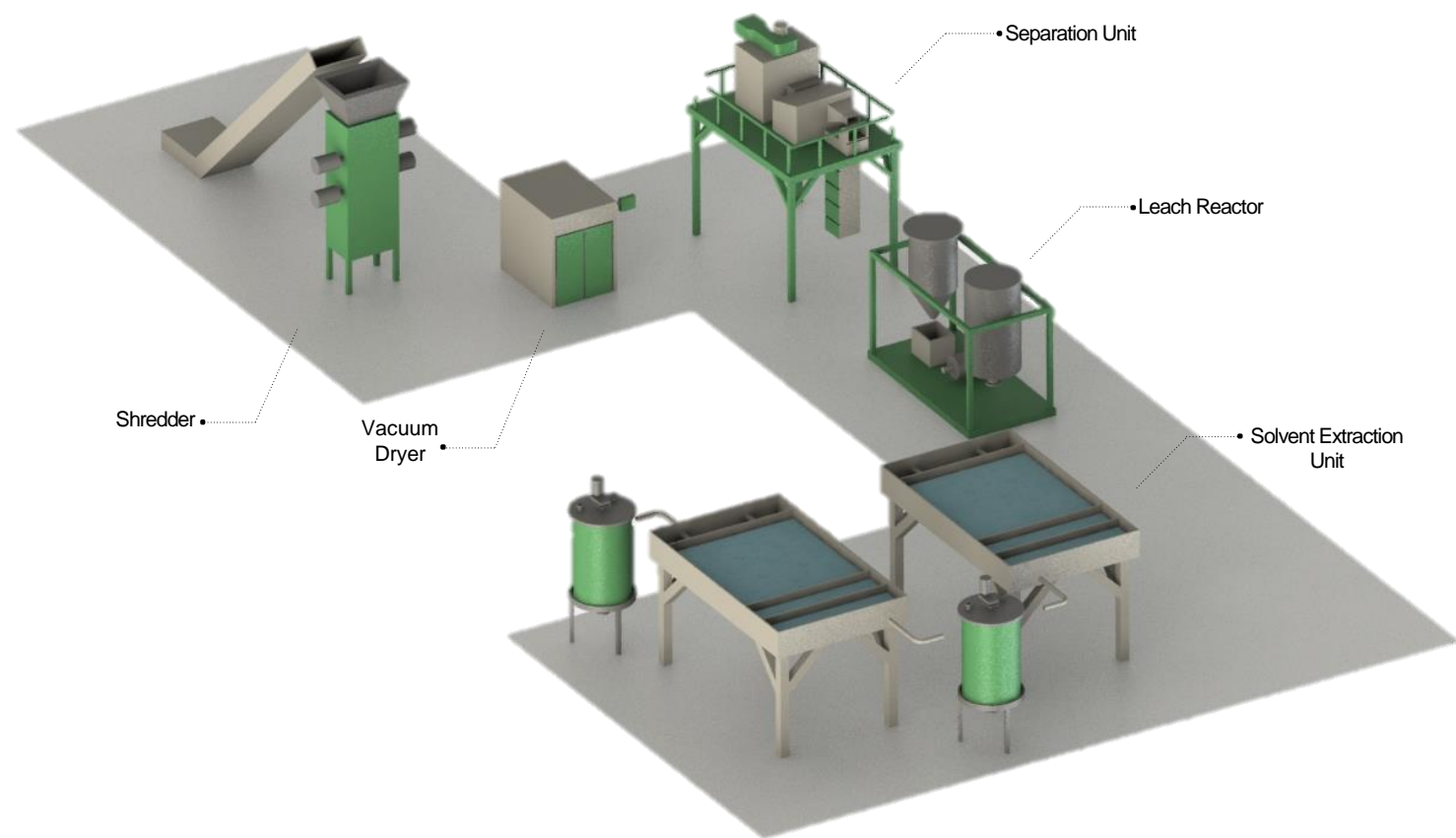
Battery

Battery Recycling & Refining Systems

Proses Makina is a leading provider of advanced machines for battery recycling. Our state-of-the-art equipment handles various battery types with a focus on environmental preservation and resource recovery, our machines extract valuable materials efficiently. We offer tailored solutions, comprehensive support, and a commitment to customer satisfaction.

| Recycling & Refining Process |

Battery
Recycling
Systems





Catalytic Converter

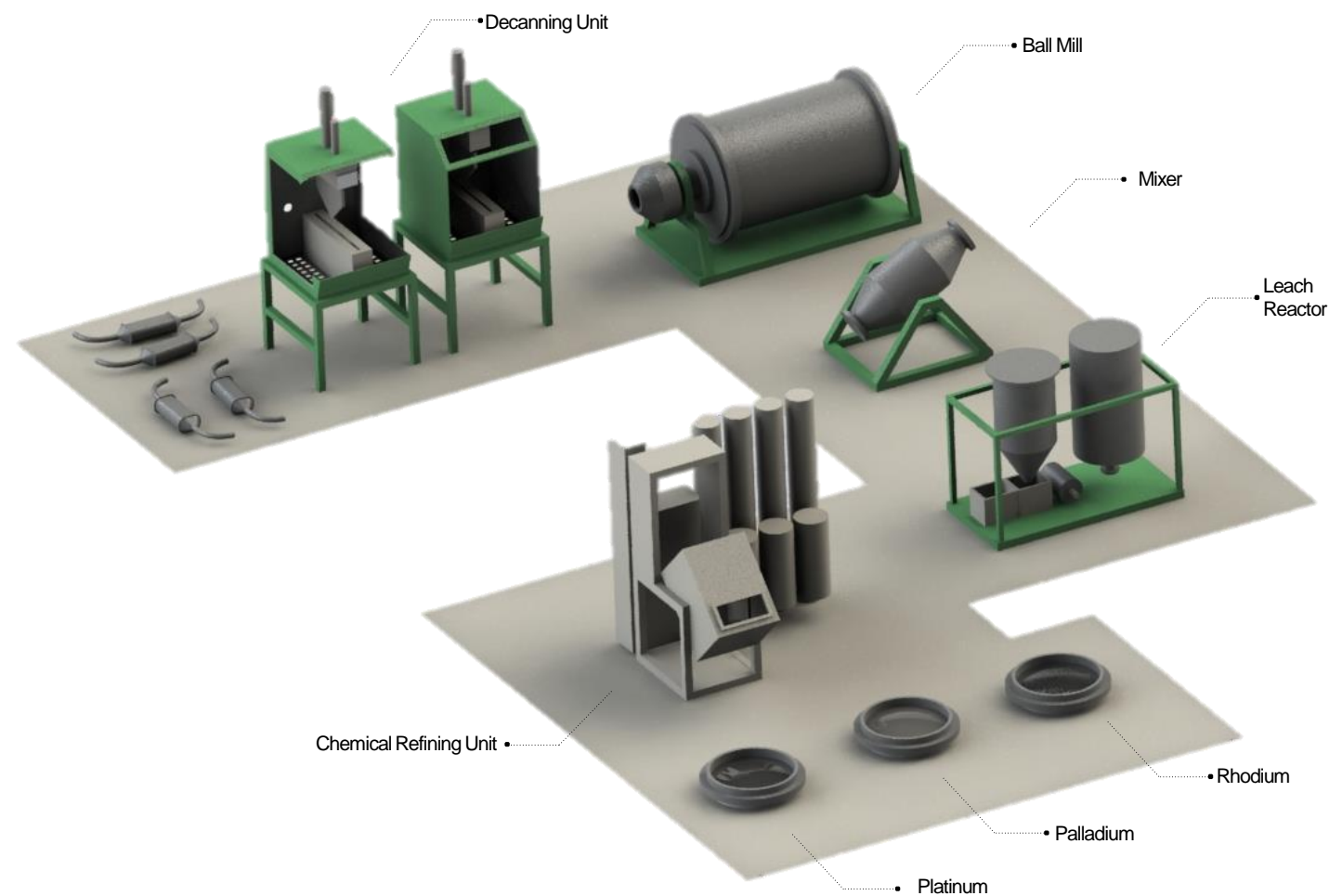
Catalytic Converter Recycling & Refining Systems

Catalytic converters are essential components of vehicle exhaust systems for treating hazardous fumes. Our company offers three advanced decanning systems and a high recovery rate chemical operation system. Our chemical operation process is designed to operate at low temperatures and pressures, ensuring a shorter reaction time. It involves two distinct steps: Physical Separation and Chemical Operation.



|Recycling & Refining Process|

Catalytic Converter Recycling Systems





Gold

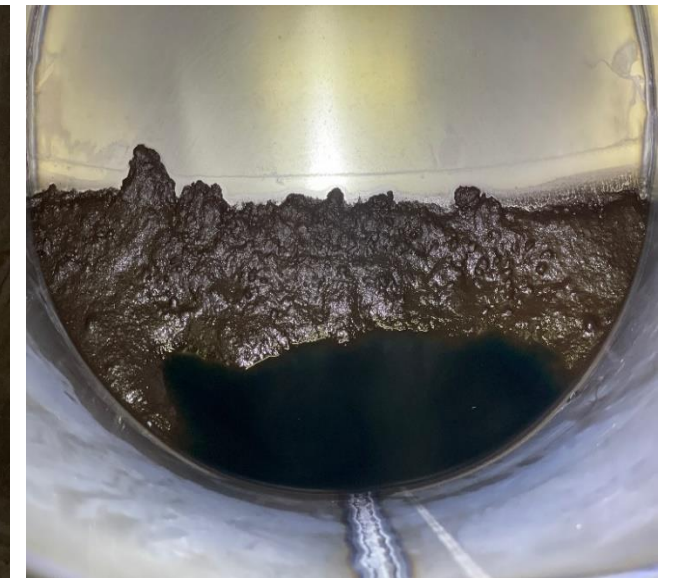
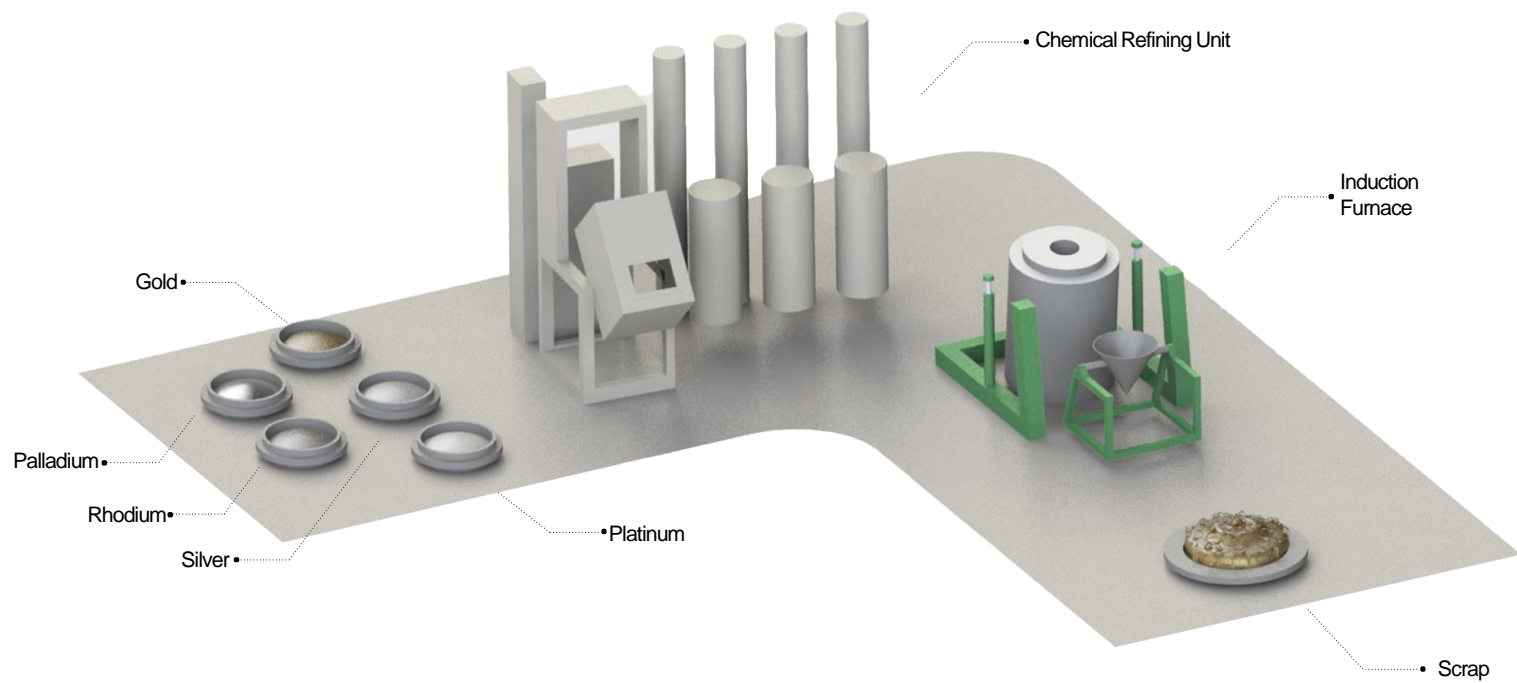
Gold Refining Systems

The Refining System incorporates various key components to facilitate its efficient operation. These components include an air treatment system, sedimentation tanks, a titanium reactor, chemical reserve tanks, and neutralization units. By encompassing these elements, the system operates under vacuum conditions while maintaining stringent safety measures.



Gold Refining Systems

| Recycling & Refining Process |





Mining

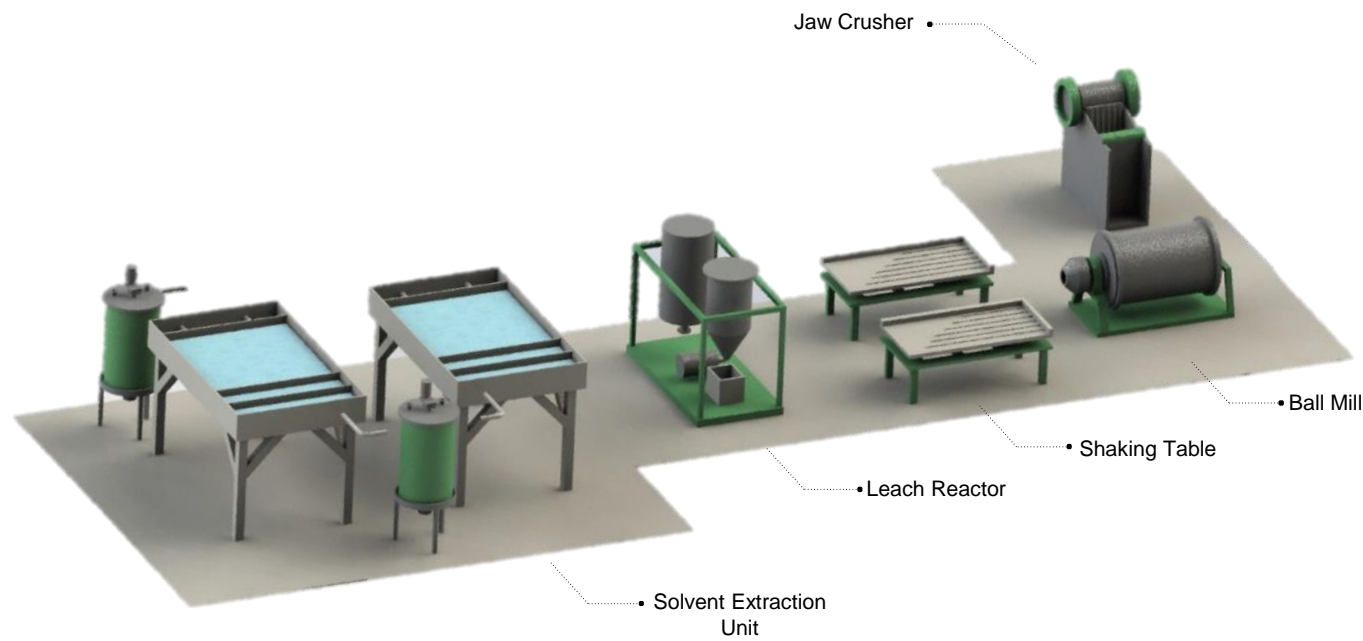
Mining Machine Production

Proses Makina offers the design and implementation of comprehensive turn-key mining plants, offering end-to-end solutions. Their expertise encompasses the development of physical operations systems, incorporating beneficiation steps to optimize the extraction process. Proses Makina has its own mining laboratory to research and develop new process and technologies for the mining industry.



Mining
Machine
Production

| Recycling & Refining Process |





Custom Design Machinery

Proses Makina specializes in Custom Design Machinery, offering tailored solutions that precisely meet each client's unique requirements. Our expertise ensures efficient and seamlessly integrated systems, providing optimal performance for diverse industrial needs. Some examples of these machines are:

- Chemical Reactor
- Polypropylene Chemical Reactor
- Pressure Reactor
- Glass Reactor
- Stainless Steel Chemical Reactor
- Special Coated Reactor

Custom Design Machinery





R&D and Analysis

Our Laboratories

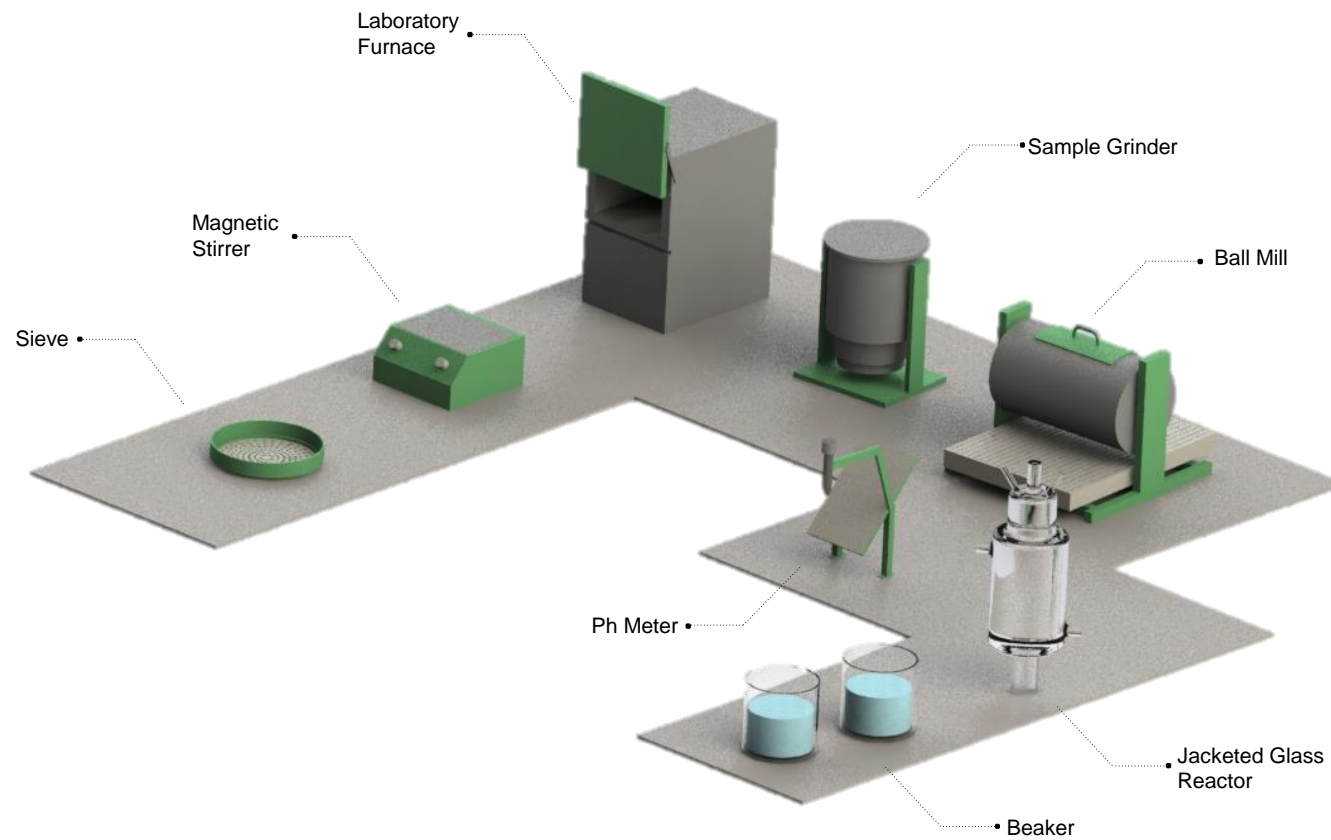
Proses Makina offers laboratory services that include precious metal analysis, metal refining, customized process development, metallurgical consultancy, training and education, on-site testing and support, and environmental compliance services.

Our laboratory expertise allows customers to accurately analyze the composition and purity of precious metals, optimize refining processes, and ensure compliance with environmental regulations.



R&D

| Laboratory Equipments |





Furnaces

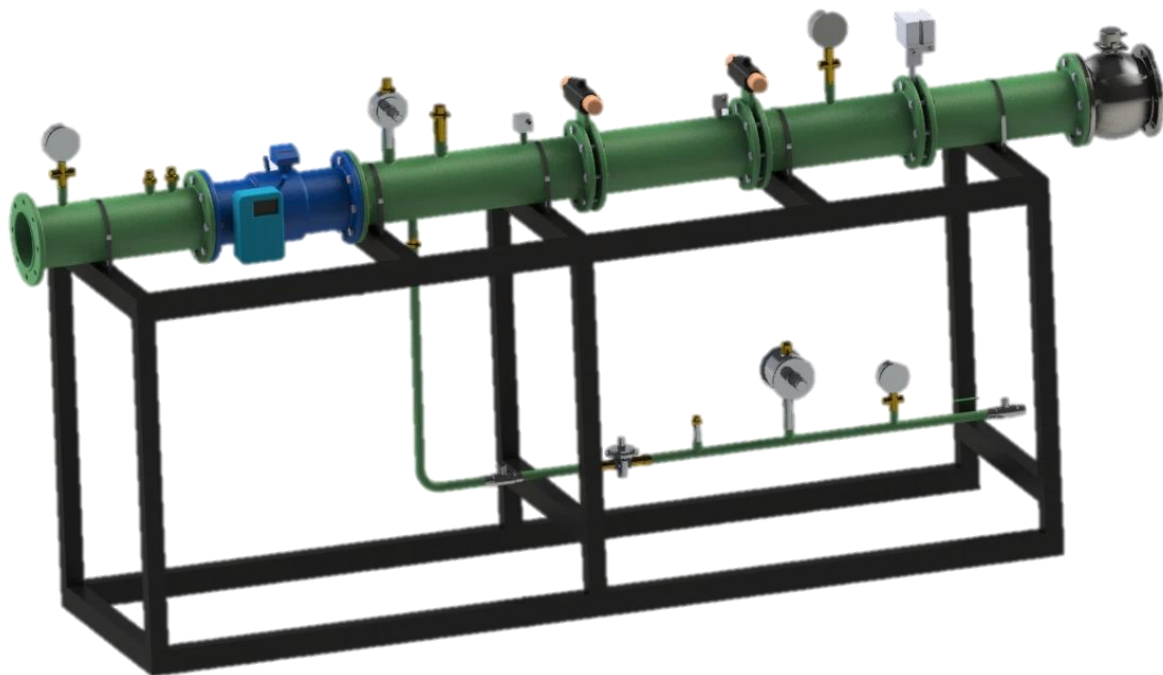
Smelting Systems

Proses Makina can offer various solutions and services for smelting systems in the recycling and refining industry.

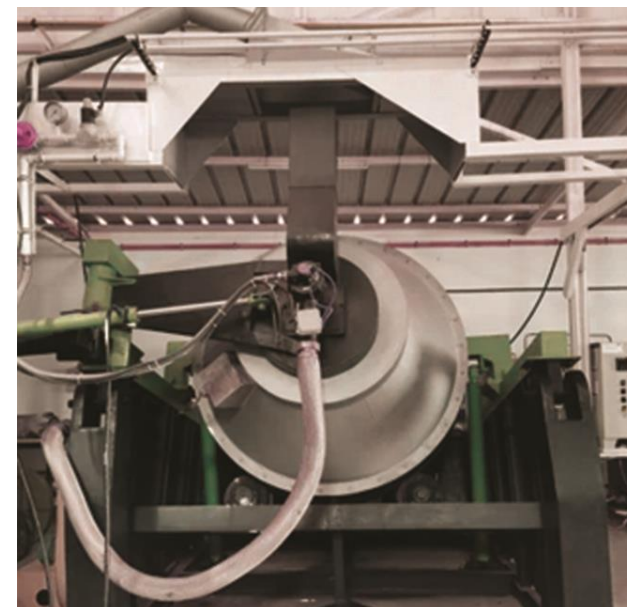
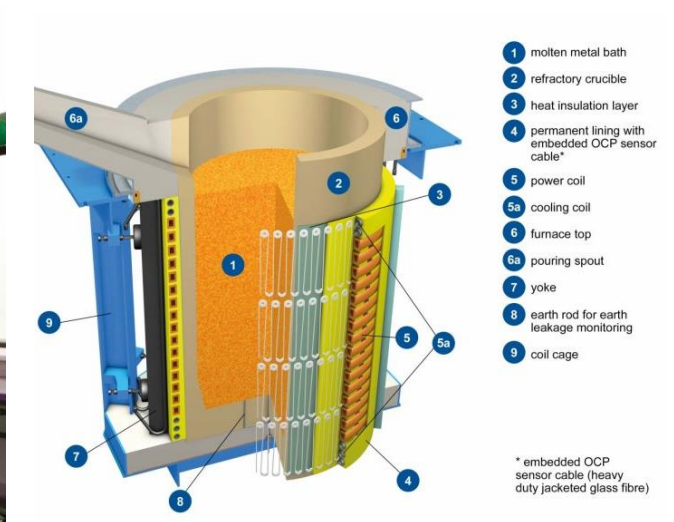
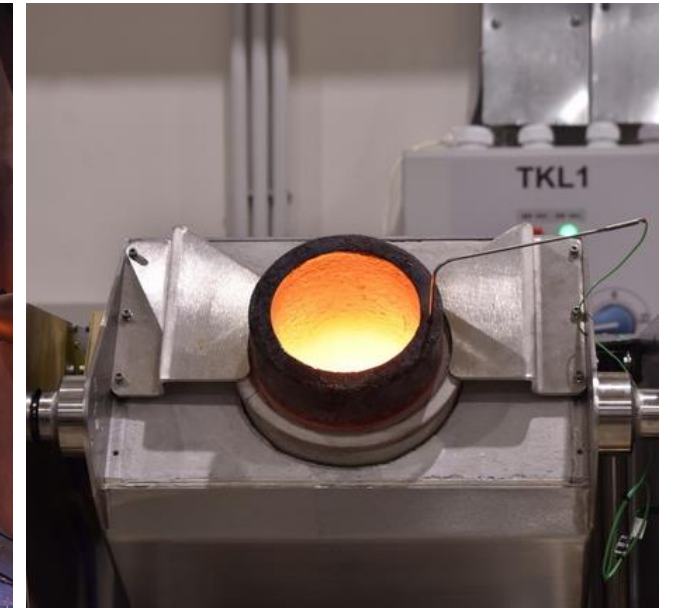
It's important to note that the specific offerings from Proses Makina for smelting systems may vary based on the expertise and customer requirements. The company's focus on providing tailored solutions and continuous improvement in the field of recycling and refining machines allows us to meet the specific needs of customers in the smelting process.

- Top Blown Rotary Furnace
- Top Blown Rotary Converter
- Tilting Rotary Oxygen Furnace
- Induction Furnace

Smelting
Systems



Burner System For TBRF/TBRC





Contact & Location

Headquarter Gökevler Mah. Pasiad San. Sit. 2330 Sok.
No:6B Esenyurt, İstanbul / TÜRKİYE

Tel : (+90) 507 788 91 09

E-Mail : info@proses-makina.com

Web Site : www.proses-makina.com

Web Site : www.goldrefiningmachine.com

Web Site : www.rareearthmetalrefining.com

Web Site : www.batte-re.com

Web Site : www.ewasterefining.com

PROSES MAKINA LTD.
BATTE-RE LTD.
PROSES ENERGY LTD.
PROSES ENGINEERING LTD.