



ENGEREK F FUSION BINOCULAR



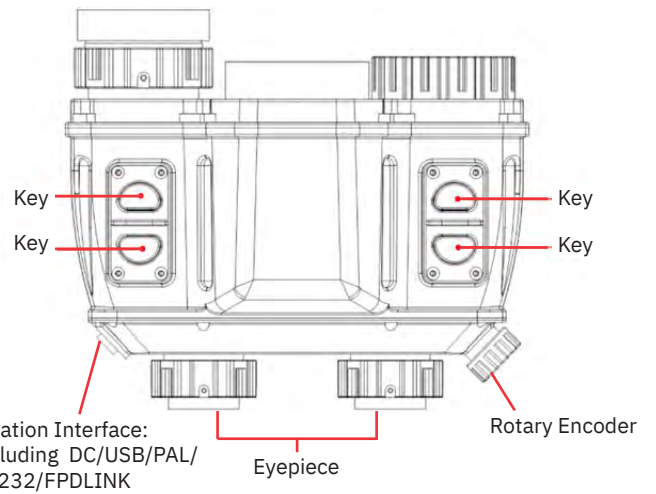
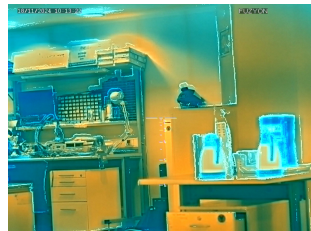
ENGEREK F FUSION BINOCULAR

General Features

The ENGEREK F is a binocular that integrates low-light and infrared observation, laser distance measurement, and precise target positioning. Designed for both day and night use, it delivers clear imaging under starlight and supports wireless transmission for digital images.

Its standout feature is the seamless fusion of low-light and infrared technologies, combining their strengths to produce unparalleled image detail and clarity, making it a highly effective tool for critical operations.

- Ultra-high sensitivity sensor
- 4km laser range finder
- Multi-target relative position ranging
- Image storage and playback capability
- All weather use, suitable for various environments





ENGEREK F BINOCULAR

| Technical Specifications | | |
|--|--------------|-----------------------|
| | Low light | Infrared |
| Image sensor dimension | 1 inch | - |
| Spectral response waveband | 400nm~1100nm | 8 μ m ~14 μ m |
| Image resolution | 1024x768 | 1024x768 |
| Minimum illumination (No light compensation) | 0.0001 Lx | - |
| OLED resolution | 1024x768 | |
| Frame rate | 25Hz | |

| Optical Specifications | |
|------------------------|-----------|
| FOV | >16°x12° |
| Exit pupil diameter | 6mm |
| Exit pupil distance | 20mm |
| Digital Amplification | 2x |
| Min. Objective focus | 10m |
| Diopter | -5D ~ +3D |

| Laser Range Finder | |
|--------------------------------|---|
| Wavelength | 1535nm (safe for human eyes) |
| Maximum range | >4km (NATO target) |
| Minimum range | <20m |
| Ranging accuracy | \pm 1m(RMS) |
| Parameters | |
| Electronic compass azimuth | 0°~360° |
| Electronic compass pitch angle | -90°~90° |
| Observation pattern | Low light/Infrared/Fusion/Color fusion |
| Boot time | <4s |
| Battery | Three 18650 rechargeable lithium batteries (voltage: 3.7V, capacity: 3000mAh) |
| Max. continuous working period | >12hours |
| Size | 160 x 141 x91 (mm) |
| Weight (including batteries) | <900g |
| Environmental adaptation | Working: -20°~65° (can be extended to-40°~70°) |
| | Storage: -25°~65° (can be extended to-45°~70°) |