

Date

Material Data

Color	gray
Fire load	0,005 MJ
Weight	0,1 g

Commercial data

Product Group	22 (TOPJOB S)
Packaging type	lamination
Country of origin	DE
GTIN	4050821107026
Customs tariff number	39269097900

Counterpart

Descărcări

Documentation

Additional Information

Technical explanations	Apr 3, 2019	pdf	Descărcare
------------------------	-------------	-----	------------

Supus modificărilor.

CAD/CAE-Data

CAD data

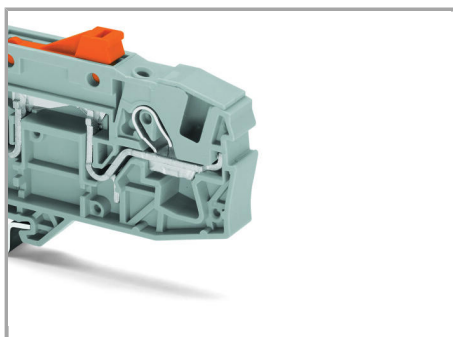
2D/3D Models 2006-191	URL	Descărcare
-----------------------	---------------------	----------------------------

CAE data

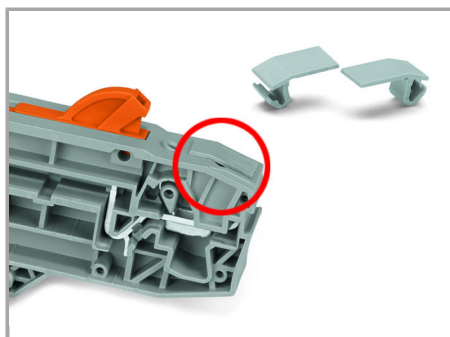
WSCAD Universe 2006-191	URL	Descărcare
-------------------------	---------------------	----------------------------

Installation Notes

Cover



Cover (2006-191) seals unused conductor entry.



Cover (2006-191) seals unused conductor entry.

Familie de produse

TOPJOB® S

TOPJOB® S: In various industrial applications and modern building installations, WAGO's wide and versatile range of rail-mount terminal blocks provides more than just reliable electrical connections.

[Afișare globală produse din familie.](#)

Supus modificărilor.