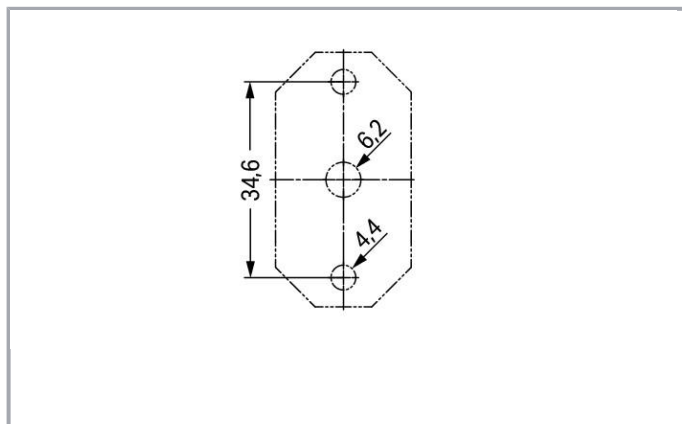


RoHS Compliant

[BOMcheck.net](https://www.bomcheck.net)

Culoare:



Supus modificărilor.

**Date****Connection data**

Pole No.	2
----------	---

**Mechanical data**

Mounting type	Screw mounting
Suitable	for distribution connectors (except T-distribution connectors); 2-pole

**Material Data**

Color	black
Insulation material	Polyamide 66 (PA 66)
Flammability class per UL94	V0
Fire load	0,12 MJ
Weight	4 g

**Environmental Requirements**

Processing temperature	-5 ... +40 °C
Continuous operating temperature	-35 ... +85 °C
Note on continuous operating temperature	Insulating parts for temperatures $\leq 105$ °C

**Commercial data**

Product Group	20 (WINSTA)
Packaging type	BOX
Country of origin	DE
GTIN	4050821854524
Customs tariff number	39269097900

**Counterpart****Installation Notes****Familie de produse**

<i>WINSTA</i>® MIDI  
Afișare globală produse din familie.

Supus modificărilor.

WAGO Kontakttechnik GmbH & Co. KG  
 /Representative Office Romania  
 Sos. Pipera-Tunari nr. 1/1  
 building 1, 2nd floor | 077190 Voluntari, Ilfov  
 Tel.: +40-(0)31 421 85 68 | Email: info-RO@wago.com

Aveți întrebări despre produsele noastre?  
 Vă stăm la dispoziție pentru preluarea apelului la +40 (0) 31 421 85 68.