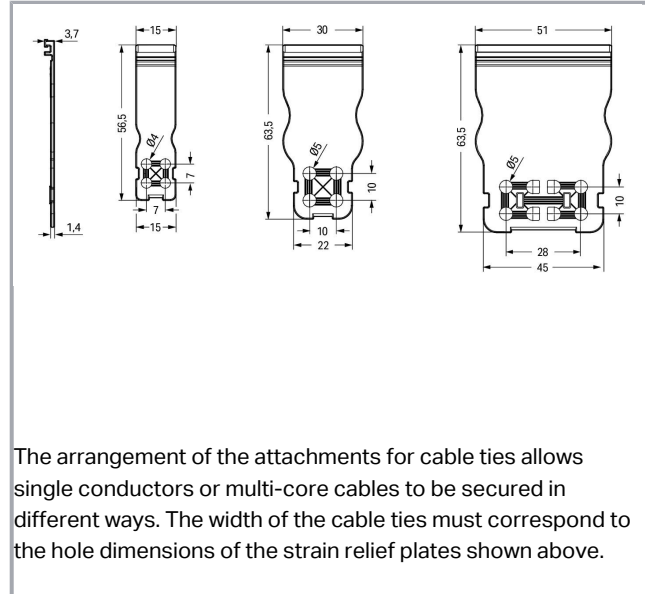




RoHS  Compliant

[BOMcheck.net](https://www.bomcheck.net)

Culoare:



The arrangement of the attachments for cable ties allows single conductors or multi-core cables to be secured in different ways. The width of the cable ties must correspond to the hole dimensions of the strain relief plates shown above.

**Date**

**Electrical data**

**Ratings per IEC/EN 60664-1**

Legend (ratings)

(III / 2) ≙ Overvoltage category III / Pollution degree 2

**Approvals per UL 1059**

Approvals per

UL 1059

**Connection data**

Number of connection types

1

Supus modificărilor.

WAGO Kontakttechnik GmbH & Co. KG  
 /Representative Office Romania  
 Sos. Pipera-Tunari nr. 1/1  
 building 1, 2nd floor | 077190 Voluntari, Ilfov  
 Tel.: +40-(0)31 421 85 68 | Email: info-RO@wago.com

Aveți întrebări despre produsele noastre?  
 Vă stăm la dispoziție pentru preluarea apelului la +40 (0) 31 421 85 68.



## Geometrical Data

|       |                    |
|-------|--------------------|
| Width | 30 mm / 1.181 inch |
|-------|--------------------|

## Mechanical data

|          |  |
|----------|--|
| Suitable | for 1-conductor male and female connectors |
|----------|--|

## Material Data

|        |            |
|--------|------------|
| Color  | light gray |
| Weight | 2,6 g      |

## Commercial data

|                       |               |
|-----------------------|---------------|
| Packaging type        | BOX           |
| Country of origin     | DE            |
| GTIN                  | 4055143371605 |
| Customs tariff number | 85389099990   |

## Counterpart

### Descărcări

#### Documentation

##### Additional Information

|                        |             |               |            |
|------------------------|-------------|---------------|------------|
| Technical explanations | Apr 3, 2019 | pdf<br>3,6 MB | Descărcare |
|------------------------|-------------|---------------|------------|

## CAD/CAE-Data

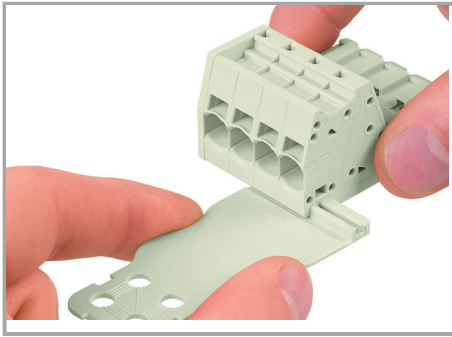
### CAD data

|                      |     |            |
|----------------------|-----|------------|
| 2D/3D Models 831-505 | URL | Descărcare |
|----------------------|-----|------------|

## Installation Notes

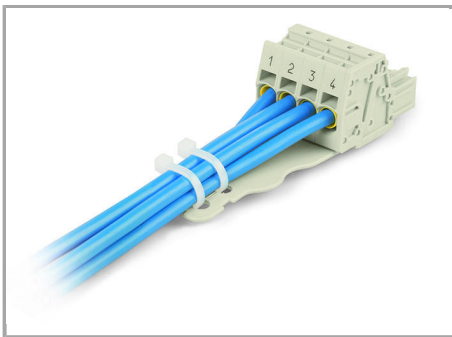
### Assembly

Supus modificărilor.



Strain relief plate for field assembly

#### Application



Strain relief plate, pre-assembled,

1-conductor female connector,

4-pole, 7.62 mm pin spacing,

light gray (831-3104/135-000)

Supus modificărilor.