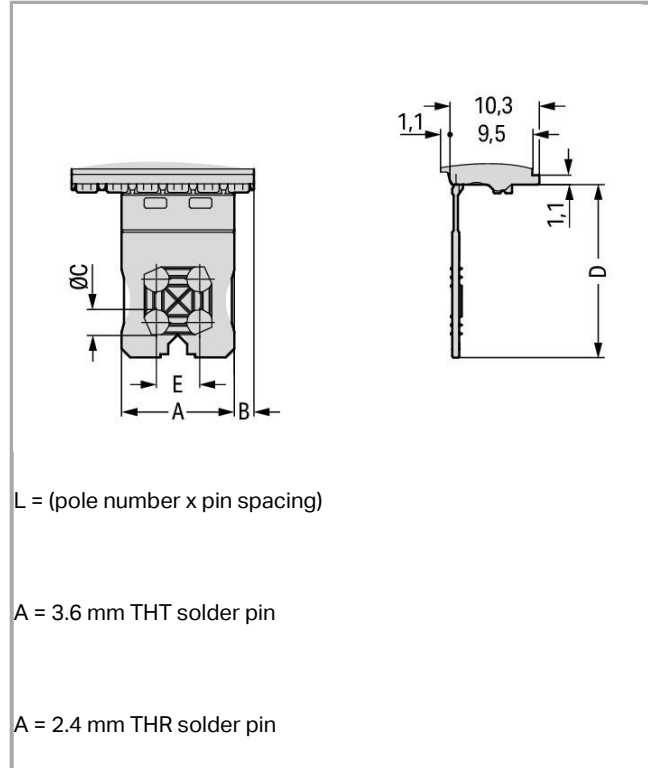


RoHS  Compliant

BOMcheck.net

Culoare:



## Date

### Electrical data

### Ratings per IEC/EN 60664-1

Legend (ratings)

(III / 2) ≙ Overvoltage category III / Pollution degree 2

Supus modificărilor.

WAGO Kontakttechnik GmbH & Co. KG  
/Representative Office Romania  
Sos. Pipera-Tunari nr. 1/1  
building 1, 2nd floor | 077190 Voluntari, Ilfov  
Tel.: +40-(0)31 421 85 68 | Email: info-RO@wago.com

Aveți întrebări despre produsele noastre?  
Vă stăm la dispoziție pentru preluarea apelului la +40 (0) 31 421 85 68.



## Approvals per UL 1059

Approvals per	UL 1059
---------------	---------

## Connection data

Number of connection types	1
----------------------------	---

## Geometrical Data

Pin spacing	3,5 mm / 0.138 inch
-------------	---------------------

## Material Data

Color	light gray
Fire load	0,015 MJ
Weight	0,5 g

## Commercial data

Product Group	26 (picoMAX)
Packaging type	BOX
Country of origin	DE
GTIN	4050821162766
Customs tariff number	85389099990

## Counterpart

## Descărcări

### Documentation

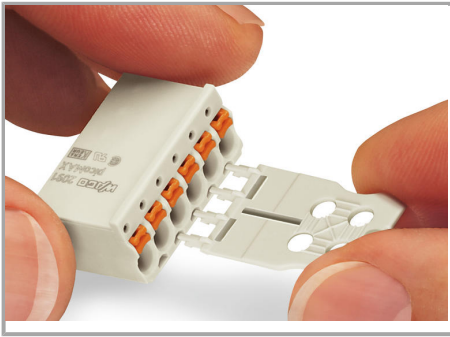
#### Additional Information

Technical explanations	Apr 3, 2019	pdf 3,6 MB	Descărcare
------------------------	-------------	---------------	------------

## Installation Notes

### Strain Relief

Supus modificărilor.



Gripping plates are suitable for factory and in-the-field assembly.

Supus modificărilor.