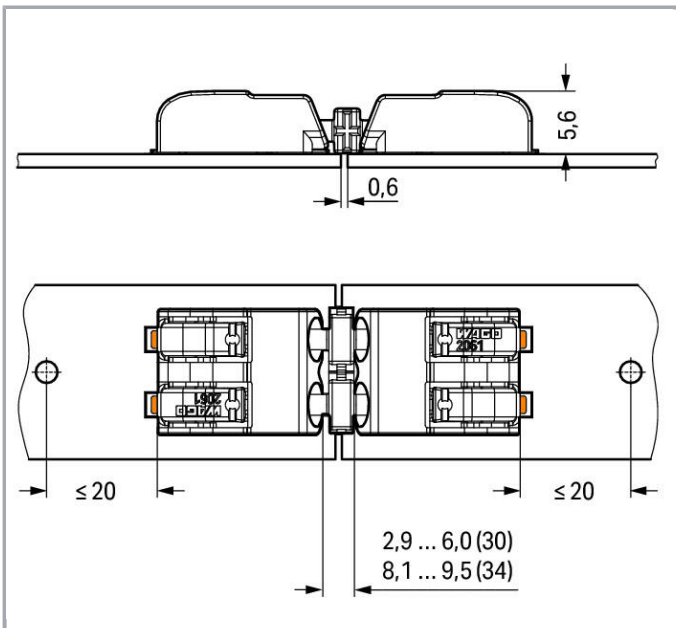
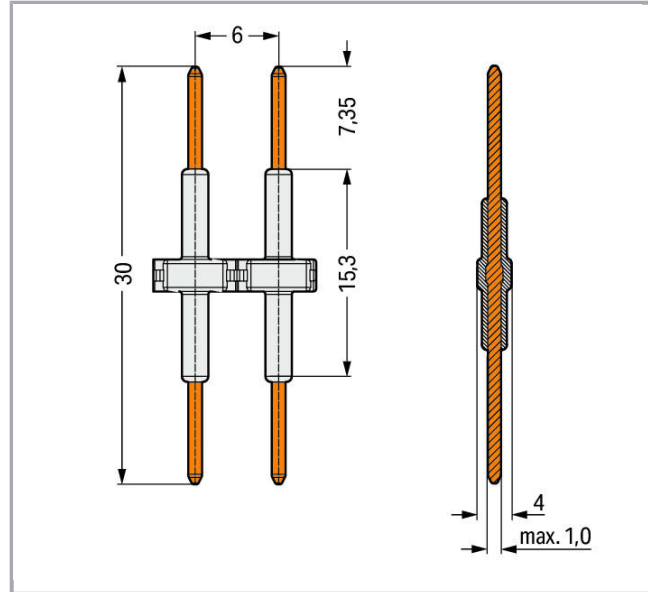
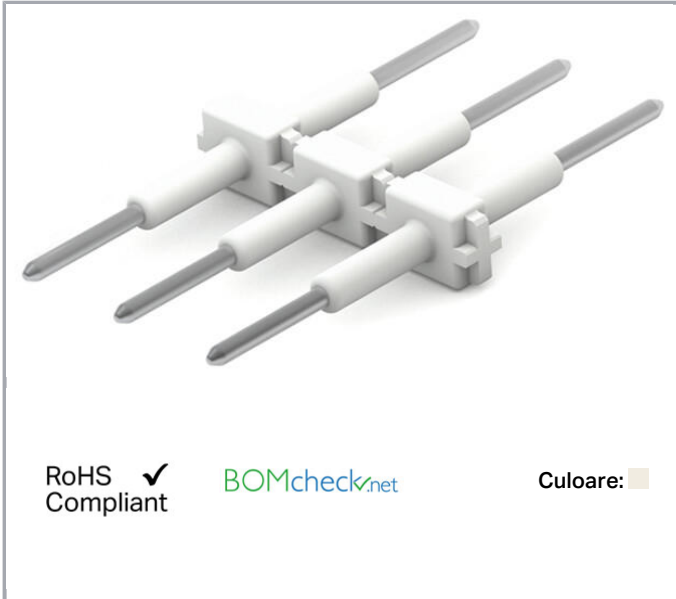


# Fișă tehnică | Număr articol: 2061-903

Board-to-Board Link; Pin spacing 6 mm; 3-pole; Length: 30 mm; white

[www.wago.com/2061-903](http://www.wago.com/2061-903)



## Descriere articol

- Verbindungselement zum vereinfachten Aneinanderreihen von LED-Platinen

Supus modificărilor.

WAGO Kontakttechnik GmbH & Co. KG  
/Representative Office Romania  
Sos. Pipera-Tunari nr. 1/1  
building 1, 2nd floor | 077190 Voluntari, Ilfov  
Tel.: +40-(0)31 421 85 68 | Email: info-RO@wago.com

Aveți întrebări despre produsele noastre?  
Vă stăm la dispoziție pentru preluarea apelului la +40 (0) 31 421 85 68.



- Einfache Handhabung durch direktes Stecken und Trennen ohne Drückerbetätigung

## Date

### Electrical data

#### Ratings per IEC/EN 60664-1

| Ratings per                 | IEC/EN 60664-1   |
|-----------------------------|--|
| Nominal voltage (III/3)     | 250 V  |
| Rated surge voltage (III/3) | 4 kV   |
| Rated voltage (III/2)       | 320 V  |
| Rated surge voltage (III/2) | 4 kV   |
| Nominal voltage (II/2)      | 630 V  |
| Rated surge voltage (II/2)  | 4 kV   |
| Rated current               | 9 A  |
| Legend (ratings)            | (III / 2) $\triangleq$ Overvoltage category III / Pollution degree 2 |

#### Approvals per UL 1059

| Approvals per | UL 1059 |
|---------------|---------|
|               |         |

### Connection data

|                            |   |
|----------------------------|---|
| Pole No.                   | 3 |
| Total number of potentials | 3 |
| Number of connection types | 1 |

### Geometrical Data

|             |                      |
|-------------|----------------------|
| Pin spacing | 6 mm / 0.236 inch    |
| Width       | 17,7 mm / 0.697 inch |
| Height      | 2,5 mm / 0.098 inch  |
| Depth       | 30 mm / 1.181 inch   |

### Mechanical data

|                         |  |
|-------------------------|--|
| Mating cycles (max.)    | 10                                       |
| Number of mating cycles | max. 10 connections/disconnections       |
| Suitable                | for SMD PCB Terminal Blocks; 2061 Series |

Supus modificărilor.

## Material Data

|                             |                      |
|-----------------------------|----------------------|
| Color                       | white                |
| Material group              | I                    |
| Insulation material         | Polyamide 66 (PA 66) |
| Flammability class per UL94 | V0                   |
| Contact material            | Copper alloy         |
| Contact plating             | silver-plated        |
| Weight                      | 0,8 g                |

## Environmental Requirements

|                         |                 |
|-------------------------|-----------------|
| Limit temperature range | -60 ... +105 °C |
|-------------------------|-----------------|

## Commercial data

|                       |               |
|-----------------------|---------------|
| Packaging type        | BOX           |
| Country of origin     | CN            |
| GTIN                  | 4055143656801 |
| Customs tariff number | 85369010000   |

## Aprobări / certificate


### Country specific Approvals

| Emblemă  | Aprobare                              | Text de aprobare suplimentar | Nume certificat |
|--|---------------------------------------|------------------------------|-----------------|
|  | CCA<br>DEKRA Certification B.V.       | EN 60947-7-4                 | NTR NL-7459     |
|  | CCA<br>DEKRA Certification B.V.       | EN 60838                     | NTR NL-7721     |
|  | KEMA/KEUR<br>DEKRA Certification B.V. | EN 60947-7-4                 | 71-100855       |
|  | KEMA/KEUR<br>DEKRA Certification B.V. | EN 60838                     | 71-106232       |

Supus modificărilor.



#### UL-Approvals

| Emblemă  | Aprobare                                | Text de aprobare suplimentar | Nume certificat |
|--|---|------------------------------|-----------------|
|  | cURus<br>Underwriters Laboratories Inc. | UL 1059                      | E45172          |

#### Counterpart

#### Descărcări Documentation

##### Additional Information

|                        |             |               |            |
|------------------------|-------------|---------------|------------|
| Technical explanations | Apr 3, 2019 | pdf<br>3,6 MB | Descărcare |
|------------------------|-------------|---------------|------------|

#### CAD/CAE-Data

##### CAD data

|                       |     |            |
|-----------------------|-----|------------|
| 2D/3D Models 2061-903 | URL | Descărcare |
|-----------------------|-----|------------|

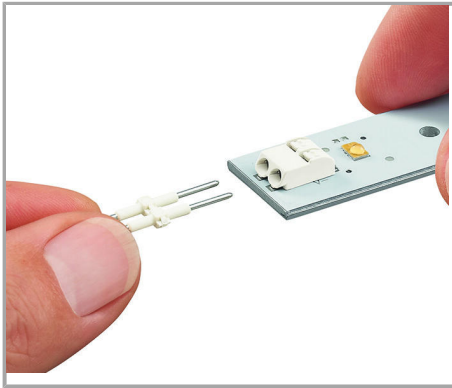
#### Installation Notes

##### Installation

Supus modificărilor.

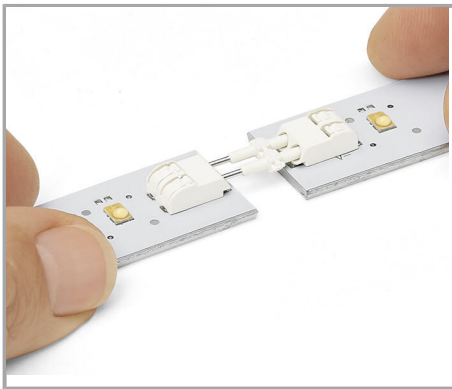
WAGO Kontakttechnik GmbH & Co. KG  
/Representative Office Romania  
Sos. Pipera-Tunari nr. 1/1  
building 1, 2nd floor | 077190 Voluntari, Ilfov  
Tel.: +40-(0)31 421 85 68 | Email: [info-RO@wago.com](mailto:info-RO@wago.com)

Aveți întrebări despre produsele noastre?  
Vă stăm la dispoziție pentru preluarea apelului la +40 (0) 31 421 85 68.



Inserting a board-to-board link into the terminal block.

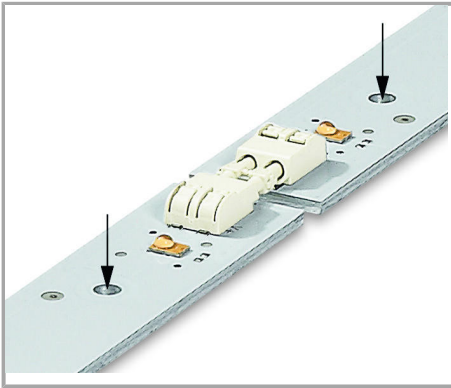
#### Installation



Assembly: Place PCBs on a flat surface and connect terminal blocks on adjoining PCBs via board-to-board link. Disassembly: Pull PCBs apart (max. 10 mating cycles).

#### Installation

Supus modificărilor.



The PCBs must be secured.

Supus modificărilor.