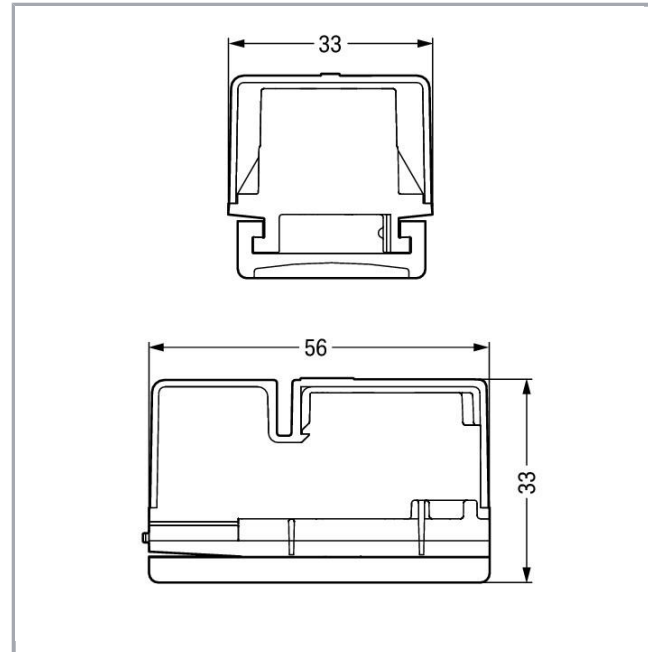


Fișă tehnică | Număr articol: 896-231

Supply module; for flat cable; 3 x 2.5 mm²; 3-pole; gray

www.wago.com/896-231



Descriere articol

- Suitable for bus and power lines or for bus and power combined in one cable
- Easy installation without line interruption due to convenient insulation displacement technology (IDC)
- WINSTA® IDC Supply and Tap-Off Modules allow connection at any location of the flat cable – one rotation per pole is all that is required

Note on mismatching protection:

All WINSTA® components are 100% protected against mismatching when:

- a.) plugging different numbers of poles
- b.) plugging while rotated 180
- c.) plugging while laterally staggered
- d.) plugging one pole

Supus modificărilor.

WAGO Kontakttechnik GmbH & Co. KG
/Representative Office Romania
Sos. Pipera-Tunari nr. 1/1
building 1, 2nd floor | 077190 Voluntari, Ilfov
Tel.: +40-(0)31 421 85 68 | Email: info-RO@wago.com

Aveți întrebări despre produsele noastre?
Vă stăm la dispoziție pentru preluarea apelului la +40 (0) 31 421 85 68.

**Date****Electrical data**

Note on Contact Resistance	approx. 1 mΩ of contact resistance approx. 0.25 mΩ contact transition plug/socket
----------------------------	---

Ratings per IEC/EN 60664-1

Ratings per	IEC/EN 60664-1
Nominal voltage (III/3)	250 V
Rated surge voltage (III/3)	4 kV
Rated current	24 A
Legend (ratings)	(III / 3) ≙ Overvoltage category III / Pollution degree 3

Connection data

Connection technology	Screw-type connection
Actuation type	Operating tool
Pole No.	3
Connection technology 2	IDC
Total number of connection points	3
Total number of potentials	3
Wire cross-section	2,5 mm ²

Geometrical Data

Width	33 mm / 1.299 inch
Height	33 mm / 1.299 inch
Depth	55 mm / 2.165 inch

Mechanical data

Mating force of a plug-in connection	approx. 30 ... 70 N (depending on pole number)
Retention force of a plug-in connection	When locked: > 80 N
Unmating force of a plug-in connection	when unlocked: approx. 15 ... 20 N
Number of mating cycles	200, without resistive load 100, with resistive load $I_N = 25$ A, tested (4 mm ² /AWG 12)
Protection type	IP20
Note on protection type	Only when mated (these compact connectors are not designed for use in open, easily accessible areas).
Suitable	for flat cable 3 x 2.5 mm ²

Supus modificărilor.

WAGO Kontakttechnik GmbH & Co. KG
 /Representative Office Romania
 Sos. Pipera-Tunari nr. 1/1
 building 1, 2nd floor | 077190 Voluntari, Ilfov
 Tel.: +40-(0)31 421 85 68 | Email: info-RO@wago.com

Aveți întrebări despre produsele noastre?
 Vă stăm la dispoziție pentru preluarea apelului la +40 (0) 31 421 85 68.

Plug connection

Mismating protection	Yes
Locking of plug-in connection	locking lever

Material Data

Color	gray
Insulation material	Polyamide 66 (PA 66)
Contact material	Copper or copper alloy (surface-treated)
Fire load	0,864 MJ
Weight	45 g

Environmental Requirements

Processing temperature	-5 ... +40 °C
Continuous operating temperature	-35 ... +85 °C
Note on continuous operating temperature	PVC cable for temperatures ≤ 70 °C (including halogen-free) PVC flat cable for temperatures -15 °C to ≤ 70 °C (including halogen-free) Insulating parts for temperatures ≤ 105 °C



Commercial data

Product Group	20 (WINSTA)
Packaging type	BOX
Country of origin	CH
GTIN	4045454004194
Customs tariff number	85369010000

Counterpart

Produse compatibile

wiring and connectors

	Nr. articol: 897-231 pre-assembled flat cable; Eca; 3G 2.5 mm ² ; PVC; L + PE + N; 0.6/1 kV; 2,50 mm ² ; light gray	www.wago.com/897-231
	Nr. articol: 897-232 pre-assembled flat cable; B2ca; 3G 2.5 mm ² ; halogen-free; L + PE + N; 0.6/1 kV; 2,50 mm ² ; light gray	www.wago.com/897-232

Supus modificărilor.



Descărcări CAD/CAE-Data

CAE data

EPLAN Data Portal 896-231	URL	Descărcare
WSCAD Universe 896-231	URL	Descărcare

Installation Notes

Familie de produse

<i>WINSTA</i>® IDC
Afișare globală produse din familie.

Supus modificărilor.

WAGO Kontakttechnik GmbH & Co. KG
/Representative Office Romania
Sos. Pipera-Tunari nr. 1/1
building 1, 2nd floor | 077190 Voluntari, Ilfov
Tel.: +40-(0)31 421 85 68 | Email: info-RO@wago.com

Aveți întrebări despre produsele noastre?
Vă stăm la dispoziție pentru preluarea apelului la +40 (0) 31 421 85 68.