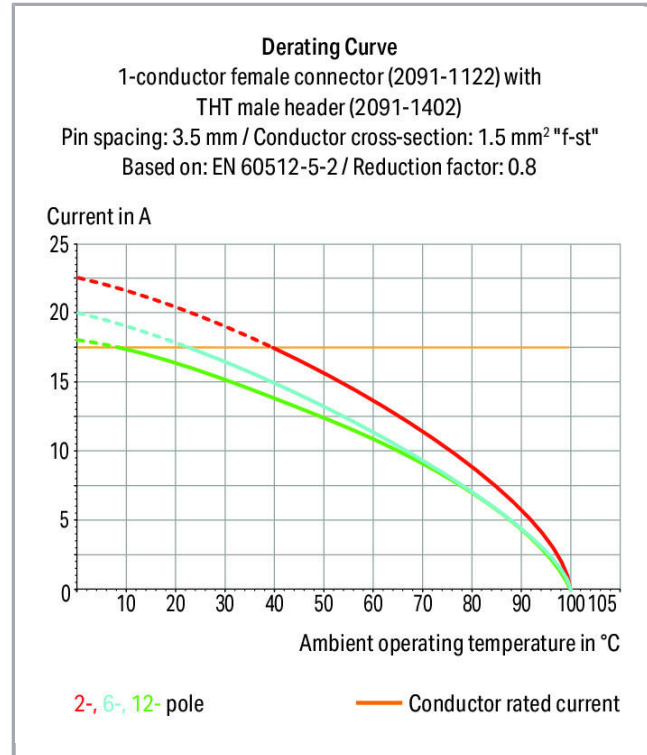
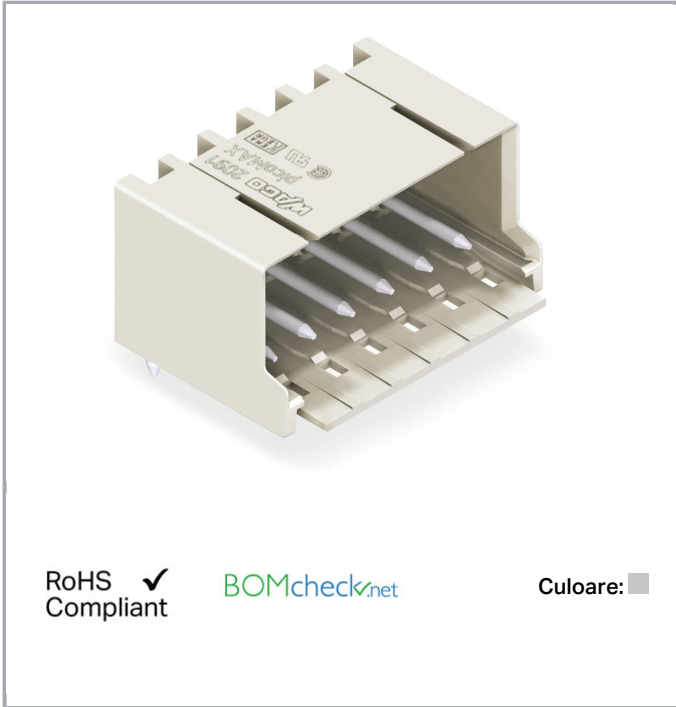


## Fișă tehnică | Număr articol: 2091-1430/200-000

THR male header; 1.0 mm Ø solder pin; angled; Pin spacing 3.5 mm; 10-pole;  
light gray



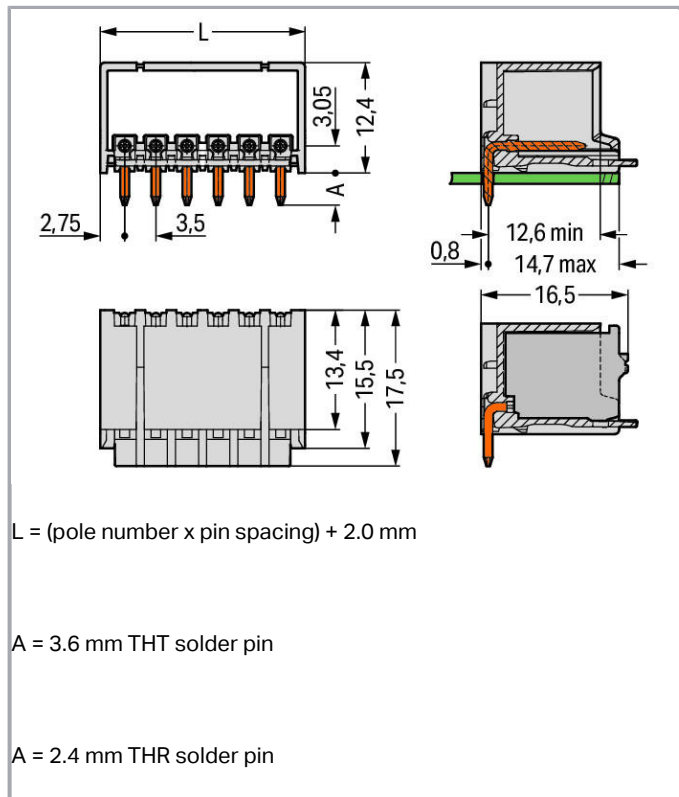
[www.wago.com/2091-1430/200-000](http://www.wago.com/2091-1430/200-000)



Supus modificărilor.

WAGO Kontakttechnik GmbH & Co. KG  
/Representative Office Romania  
Sos. Pipera-Tunari nr. 1/1  
building 1, 2nd floor | 077190 Voluntari, Ilfov  
Tel.: +40-(0)31 421 85 68 | Email: info-RO@wago.com

Aveți întrebări despre produsele noastre?  
Vă stăm la dispoziție pentru preluarea apelului la +40 (0) 31 421 85 68.



## Descriere articol

- Assembly of female connectors without loss of poles, allowing different functions to be divided within one male header
- Coding pins inserted into the header interface prevent mismatching, allowing subsequent coding in panel feedthrough applications
- The female connector is fully shrouded by the male header's housing, providing vibration resistance up to 20 g

## Safety information 1:

The **picoMAX® Pluggable Connection System** includes connectors without breaking capacity in accordance with DIN EN 61984. When used as intended, these connectors must not be connected/disconnected when live or under load. The circuit design should ensure header pins, which can be touched, are not live when unmated.

## Date

## Electrical data

## Ratings per IEC/EN 60664-1

| Ratings per                 | IEC/EN 60664-1 |
|-----------------------------|----------------|
| Nominal voltage (III/3)     | 160 V          |
| Rated surge voltage (III/3) | 2,5 kV         |

Supus modificărilor.

WAGO Kontakttechnik GmbH & Co. KG  
 /Representative Office Romania  
 Sos. Pipera-Tunari nr. 1/1  
 building 1, 2nd floor | 077190 Voluntari, Ilfov  
 Tel.: +40-(0)31 421 85 68 | Email: info-RO@wago.com

Aveți întrebări despre produsele noastre?  
 Vă stăm la dispoziție pentru preluarea apelului la +40 (0) 31 421 85 68.



|                             |  |
|-----------------------------|--|
| Rated voltage (III/2)       | 160 V  |
| Rated surge voltage (III/2) | 2,5 kV   |
| Nominal voltage (II/2)      | 320 V  |
| Rated surge voltage (II/2)  | 2,5 kV   |
| Rated current               | 10 A   |
| Legend (ratings)            | (III / 2) $\triangleq$ Overvoltage category III / Pollution degree 2 |

### Approvals per UL 1059

|                                |         |
|--------------------------------|---------|
| Rated voltage UL (Use Group B) | 300 V   |
| Rated current UL (Use Group B) | 10 A    |
| Rated voltage UL (Use Group D) | 300 V   |
| Rated current UL (Use Group D) | 10 A    |
| Approvals per                  | UL 1059 |

### Connection data

|                            |    |
|----------------------------|----|
| Pole No.                   | 10 |
| Total number of potentials | 10 |
| Number of connection types | 1  |
| Number of levels           | 1  |

### Geometrical Data

|                                    |                          |
|------------------------------------|--------------------------|
| Pin spacing                        | 3,5 mm / 0.138 inch      |
| Width                              | 37 mm / 1.457 inch       |
| Height                             | 14,8 mm / 0.583 inch     |
| Height from the surface            | 12,4 mm / 0.488 inch     |
| Depth                              | 17,5 mm / 0.689 inch     |
| Solder pin length                  | 2,4 mm                   |
| Solder pin diameter                | 1 mm                     |
| Plated through-hole diameter (THR) | 1,2 <sup>(+0,1)</sup> mm |

### Plug connection

|                                    |                     |
|------------------------------------|---------------------|
| Contact type (pluggable connector) | Male connector/plug |
| Connector (connection type)        | for PCB             |
| Mismating protection               | No                  |
| Mating direction to the PCB        | 0°                  |
| Locking of plug-in connection      | Locking latch       |

Supus modificărilor.

WAGO Kontakttechnik GmbH & Co. KG  
 /Representative Office Romania  
 Sos. Pipera-Tunari nr. 1/1  
 building 1, 2nd floor | 077190 Voluntari, Ilfov  
 Tel.: +40-(0)31 421 85 68 | Email: info-RO@wago.com

Aveți întrebări despre produsele noastre?  
 Vă stăm la dispoziție pentru preluarea apelului la +40 (0) 31 421 85 68.

## PCB contact

|             |     |
|-------------|-----|
| PCB contact | THR |
|-------------|-----|

## Material Data

|                             |  |
|-----------------------------|--|
| Color                       | light gray                             |
| Material group              | I                                      |
| Insulation material         | Polyphthalamide (PPA GF)               |
| Flammability class per UL94 | V0                                     |
| Contact material            | Electrolytic copper (E <sub>Cu</sub> ) |
| Contact plating             | tin-plated                             |
| Fire load                   | 0,064 MJ                               |
| Weight                      | 3,3 g                                  |

## Environmental Requirements


|                         |                 |
|-------------------------|-----------------|
| Limit temperature range | -60 ... +100 °C |
|-------------------------|-----------------|

## Commercial data


|                       |               |
|-----------------------|---------------|
| Packaging type        | BOX           |
| Country of origin     | DE            |
| GTIN                  | 4050821396277 |
| Customs tariff number | 85366990990   |

## Aprobări / certificate

### Country specific Approvals

| Emblemă  | Aprobare                        | Text de aprobare suplimentar | Nume certificat |
|--|---------------------------------|------------------------------|-----------------|
|  | CSA<br>DEKRA Certification B.V. | C22.2                        | 2362521         |

### UL-Approvals

| Emblemă  | Aprobare                             | Text de aprobare suplimentar | Nume certificat     |
|--|--------------------------------------|------------------------------|---------------------|
|  | UL<br>Underwriters Laboratories Inc. | UL 1977                      | 20190909-<br>E45171 |

Supus modificărilor.

## Counterpart



Nr. articol 2091-1130

1-conductor female plug; 1.5 mm<sup>2</sup>; Pin spacing 3.5 mm; 10-pole; 1,50 mm<sup>2</sup>; light gray

[www.wago.com/2091-1130](http://www.wago.com/2091-1130)

## Produse compatibile

### Coding



Nr. articol: 2091-1610

Coding key carrier; suitable for 3.5 mm pin spacing; orange

[www.wago.com/2091-1610](http://www.wago.com/2091-1610)

## Descărcări

### Documentation

#### Additional Information

Technical explanations

Apr 3, 2019

pdf  
3,6 MB

Descărcare

## CAD/CAE-Data

### CAD data

2D/3D Models 2091-1430/200-000

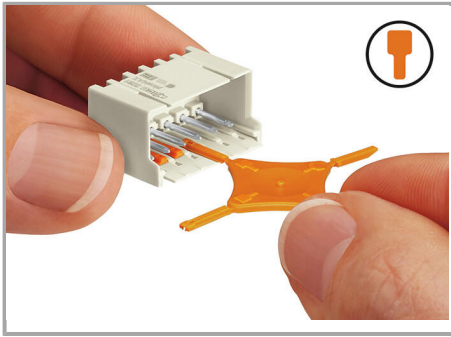
URL

Descărcare

## Installation Notes

### Coding

Supus modificărilor.



Coding a male header (via coding key carrier and two keys for male header, see symbol).

### Familie de produse

#### **picoMAX**

Afișare globală produse din familie.

Supus modificărilor.