

# Capete chei tubulare cu cardan si profil TX interior 3/8"

237/1F

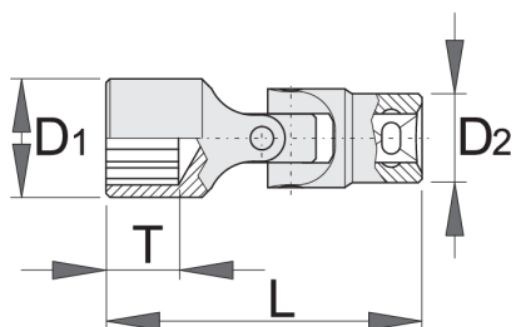


## Profile

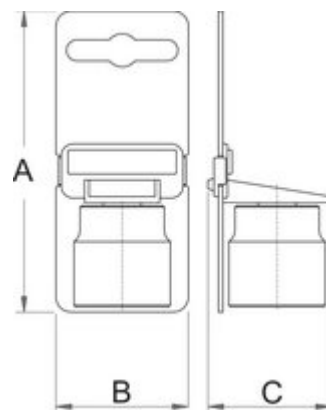


## Caracteristicile produsului

- material:crome vanadium
- forjata, calire si revenire totala
- acoperire cromare conform ISO 1456:2009

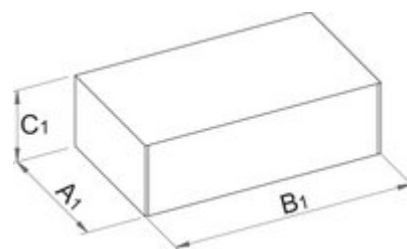


Barcode	Profile	L	D1	D2	T	Weight	Quantity
620811	E8	51.4	18.8	11.2	5.9	67	1
620812	E10	51.4	18.8	13.2	6.6	67	1
620813	E12	51.4	18.8	14.8	8.2	67	1
620814	E14	51.4	18.8	16.8	9.5	67	1



## Ambalaj pentru retail

Barcode	MA	MB	MC	Icon
620811	120	44	34	72
620812	120	44	34	72
620813	120	44	34	72
620814	120	44	34	72



## Ambalaj pentru transport

Barcode	Icon	TA	TB	TC	Icon
620811	4	94	150	59	413
620812	4	94	150	59	413
620813	4	94	150	59	413
620814	4	94	150	59	413