

# Hub Genie

1758/4



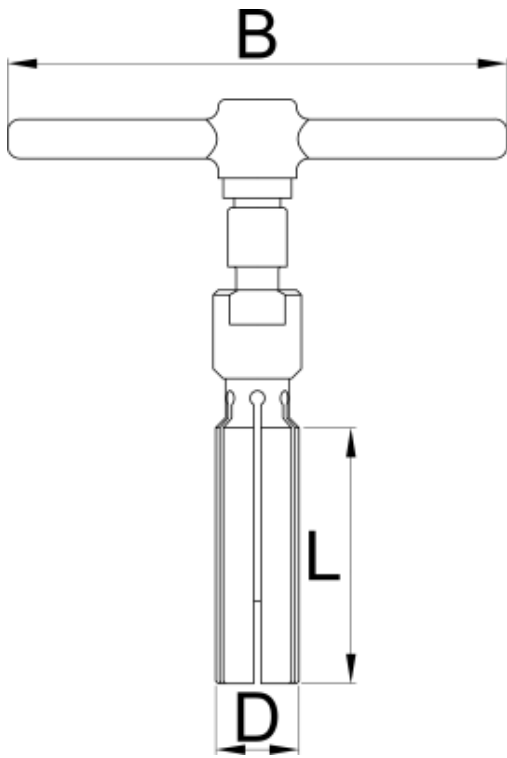
0



## Caracteristicile produsului

- Hub Genie is a unique solution for removing hub end caps while servicing the hubs or converting them to different standards. Thanks to the expanding mechanism, which grabs the hub cap evenly from the inside, even the most stubborn hub end caps are easy to pull-off. Compared with the traditional way of removing hub end caps, this tool won't damage caps or hub. Simply genius.
- The tool is available in two versions; smaller one that covers hubs with 12 mm & 15 mm through axles and bigger version

that works with 20 mm through axle hubs. Both versions feature plastic dipped handle for better ergonomics and grip.



Barcode	D	L	B	Icon
627271	20	52	102	164
627272	12 & 15	45	102	99

### Ambalaj pentru retail

Barcode	MA	MB	MC	Icon
627271				
627272				

### Ambalaj pentru transport

Barcode	Icon	TA	TB	TC	Icon
627271					
627272					