

Pro Shop Clamp

1693.1Q



0

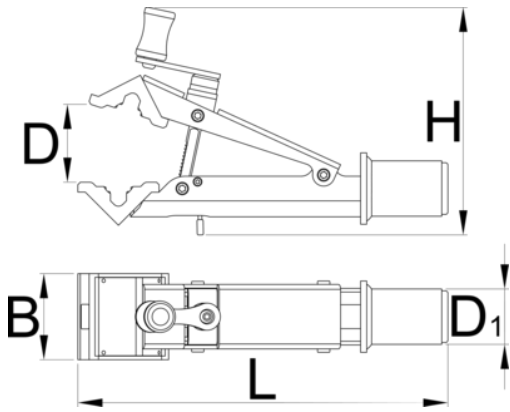


Caracteristicile produsului

- Pro Shop Clamp is Unior's high-end offer for bike shops. It features advanced quick release system that enable quick and efficient work on any bicycle.
- Quick release system enables the mechanic to press the jaws by hand, at which point clamp already grips the seat post of a frame with sufficient force to hold the bicycle in place. Rotate the handle and additional tension is applied to the jaws to ensure firm grip.
- Clamp can grip tubes of any shape, with diameter of minimum Ø22mm to maximum Ø60mm.
- Pro Shop Clamp has a quick release button, which is used to release the jaws after initial

tension release with the rotating handle.

- Height of the jaws is 70mm, so it works with smaller sizes of seat posts as well as with dropper posts.
- The clamp is compatible with all of Unior's repair stands.



	D↓	D↑	B	H	L	D1	
627095	22	60	70	185	300	45	1730

Ambalaj pentru retail

	MA	MB	MC	
627095				

Ambalaj pentru transport

		TA	TB	TC	
627095					

Piese de schimb



Fălci de schimb de cauciuc pentru 1693.1