

Largirea capului tevii

1694

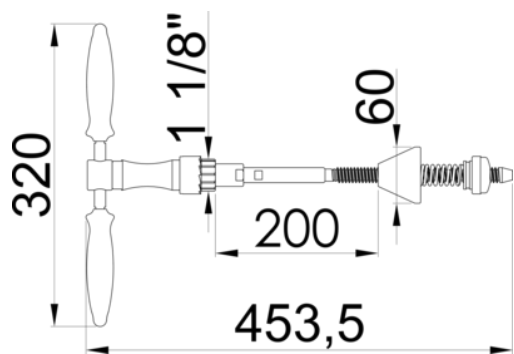


Caracteristicile produsului

- Frame preparation is the key to the perfect alignment and ultimate performance of your headset. Get the perfect fit of the headset with the edging of the head tube. With this tool, you can also remove the excess of the paint or repair the damaged head tube.

Kitul contine

- Reamer's magnetic handle 1695.1/4BI or 1695.1/4BIUS
- Reamer frame for head tube 1694.2/4
- Cone guide
- Head tube reamer for 1694 – 1.1/8
- compression spring and nut



Denumirea Produsului	SKU	Articol	Dimensiuni	Cantitate	D
Largirea capului tevii	626479	1694		3	1.1/8"
Alezor pentru 1694		1694.1	1.1/8"	1	
Head tube facing tool frame		1694.2/4		1	
Handle for reamers & taps		1695.1/4BI		1	

Ambalaj pentru retail

626479	MA	MB	MC	
626479	75	477	68	2315

Ambalaj pentru transport

626479	
626479	1

Piese de schimb



Alezor pentru 1694



Head tube facing tool frame



Handle for reamers & taps