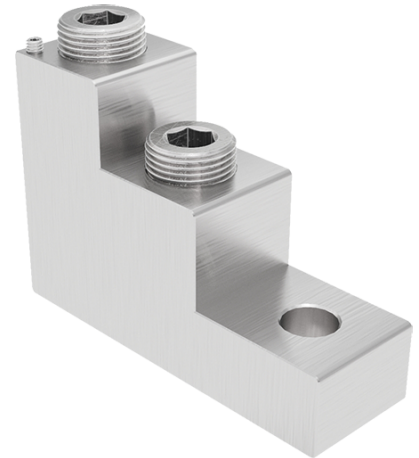


OTH300-2 2xAl/Cu 70-300 mm² 800A Universal connector

SKU	MAC2300A14
EAN	4744397030917
Color	Natural
Wire material	Al/Cu
Cross-section min. (mm²)	70
Cross-section max. (mm²)	300
Input wire min. (mm²)	70
Input wire max. (mm²)	300
Number of connections	2
Nominal current (A)	800A
Mounting method	Device
Item width (mm)	30
Item length (mm)	94
Item height (mm)	63
Item weight (g)	200
Hole diameter (mm)	12,5
Screw	Hex 9,5
Tightening torque (Nm)	45
IP rating	IP00



CN8 code 85369001

Package quantity (pcs) 3
