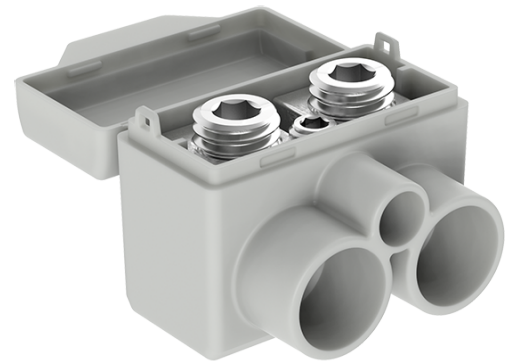


SLT50-2-1 grey Al 16-50/Cu 2,5-35 + 1x1,5-6mm² 1000V Distribution block

| | |
|--|--------------------------------------|
| SKU | MAS2051A10 |
| EAN | 4744397024268 |
| Color | Grey |
| Wire material | Al/Cu |
| Cross-section min. (mm²) | 1,5 |
| Cross-section max. (mm²) | 50 |
| Input wire min. (mm²) | 1,5 |
| Input wire max. (mm²) | 50 |
| Output wire min. (mm²) | 1,5 |
| Output wire max. (mm²) | 50 |
| Number of connections | 3 |
| Nominal current (A) | 135 / 145 |
| Nominal voltage (V) | 1000 |
| Service temperature (°C) | 80°C |
| Material | Tin-plated aluminium, polyamide PA66 |
| Item width (mm) | 38 |
| Item length (mm) | 29 |
| Item height (mm) | 30 |



| | |
|-------------------------------|---|
| Item weight (g) | 33 |
| Screw | Hex 5, Hex 3 |
| Tightening torque (Nm) | 3 Nm (2,5-16 mm ²) 8 Nm (25-50 mm ²) 2Nm (1,5-6 mm ²) |
| IP rating | IP23 |
| Certification | EN 60947-7-1:2009, EN 61238-1:2003 |
| CN8 code | 85369010 |
| Package quantity (pcs) | 18 |