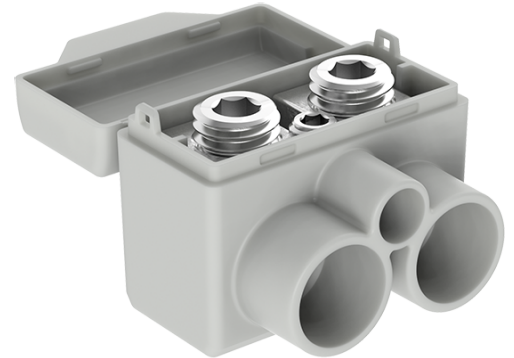


SLT50-2-1 ye/gr Al 16-50/Cu 2,5-35 + 1x1,5-6mm² 1000V Distribution block

SKU	MAS2051Y10
EAN	4744397024282
Color	Grey
Wire material	Al/Cu
Cross-section min. (mm²)	1,5
Cross-section max. (mm²)	50
Input wire min. (mm²)	1,5
Input wire max. (mm²)	50
Output wire min. (mm²)	1,5
Output wire max. (mm²)	50
Number of connections	3
Nominal current (A)	135 / 145
Nominal voltage (V)	1000
Service temperature (°C)	80°C
Material	Tin-plated aluminium, polyamide PA66
Item width (mm)	38
Item length (mm)	29
Item height (mm)	30



Item weight (g)	33
Screw	Hex 5, Hex 3
Tightening torque (Nm)	3 Nm (2,5-16 mm ²) 8 Nm (25-50 mm ²) 2Nm (1,5-6 mm ²)
IP rating	IP23
Certification	EN 60947-7-1:2009, EN 61238-1:2003
CN8 code	85369010
Package quantity (pcs)	18