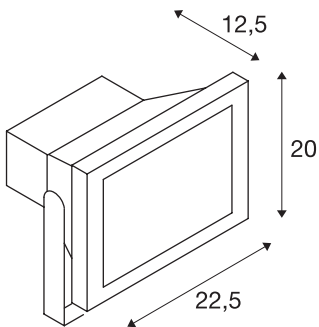




## LED OUTDOOR BEAM

warm white, 30W, 3000K, 100°, IP65

Powerful OUTDOOR BEAM spot for illuminating areas and spaces. With a tiltable installation bracket and protection class IP65, the spot is suitable for outdoor installation on the wall, ceiling or on the floor. The electrical connection of the spot, which is available in warm white and neutral white, is made directly by the built-in driver and the connection lead with mains plug to the 230V mains supply. An earth spike is available as an option for simplified floor installation.



## TECHNICAL DATA

Item no.:	1001636
Lamps included	0
Primary nominal voltage	220-240V ~50/60Hz mA/V
Secondary power / secondary voltage	760 mA/V
Vertical tilting range	90 °
Length	22.5 cm
Width	12.5 cm
Height	21.5 cm
Net weight	2.46 kg
Gross weight	2.731 kg
IP Code	IP 65
Safety class	I
Impact resistance class	IK04
Impact resistance	0,5 Joule
Assembly	Surface
Assembly details	Ceiling, Ground, Wall
Wattage	32 W
Lumen	2900 lm
Colour temperature	3000 Kelvin
Beam angle	100 °
Color	grey
CRI	>80

## Accessories

234344	WALL MOUNTING BRACKET , for OUT-DOOR BEAM and MILOX, silver, 50 cm
234354	WALL MOUNTING BRACKET , for OUT-DOOR BEAM and MILOX, silver, 80 cm
900011	PLASTIC EARTH SPIKE , black, length 17.5cm

<b>Binning</b>	3
<b>LXXBXX data</b>	70/50
<b>Service life</b>	30000 h
<b>Maximum ambient temperature</b>	40 °C

## Notes

---



---



---



---



---