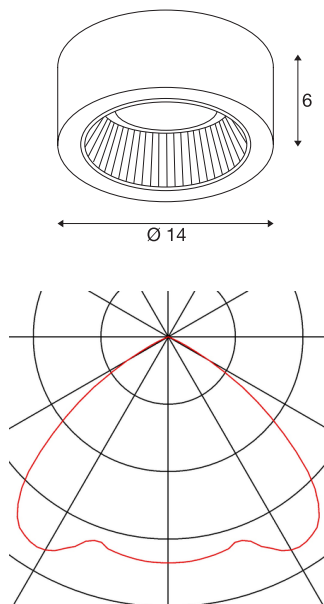




CL 101

ceiling light, energy saving lamp GX53, round, white, max. 11W

With CL 101 ceiling light we offer an affordable lighting solution with GX53 socket for the use of efficient energy-saving lamps. The puristic housing is available in either white and silver-grey colour finish. CL 101 is ready for direct connection to 230V mains supply.



TECHNICAL DATA

Item no.:	112281
Socket	GX53
Lamp	TCR-TSE
Number of sockets	1
Lamps included	0
Primary nominal voltage	230V ~50Hz mA/V
Height	6.0 cm
Diameter	14.0 cm
Net weight	0.18 kg
Gross weight	0.23 kg
IP Code	IP 20
Safety class	II
Assembly	Surface
Assembly details	Ceiling
Wattage	11 W
Color	white



Recommended lamp

551372	LED GX53 , SMD LED, 3W, 3000K, not dimmable
--------	--

Notes
