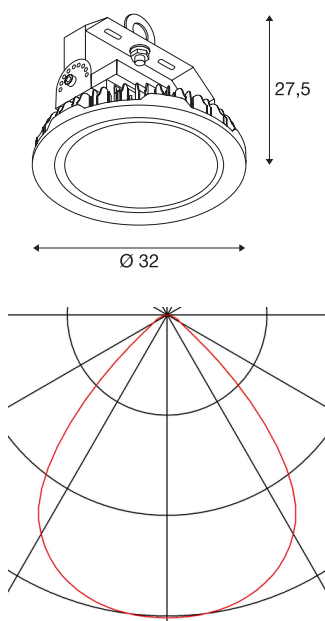




## PARA FLAC

pendant, LED, 4000K, black, 150W, IP65

The PARA FLAC pendant has been designed for the technical, industrial area, which is reflected both in its shape and its technical lighting attributes. The luminaire is fitted with modern and efficient LED technology. With total output of 150 Watts and a neutral white LED light colour, this premium LED impresses with high light output of approx. 19200 Lumen. The luminaire is supplied without a chain and can be suspended using normal commercial chains. Thanks to the LED driver integrated in the module, the PARA FLAC LED pendant is ready for direct connection to the 230V mains power supply. This luminaire contains built-in LED lamps.



## TECHNICAL DATA

Item no.:	1000828
Lamps included	0
Number of different light outlets	1
Primary nominal voltage	220-240V ~50/60Hz mA/V
Secondary power / secondary voltage	2400 mA/V
Vertical tilting range	150 °
Height	27.5 cm
Diameter	32.0 cm
Net weight	4.274 kg
Gross weight	4.984 kg
IP Code	IP 65
Safety class	I
Assembly	Surface
Assembly details	Ceiling
Wattage	150 W
Lumen	19200 lm
Colour temperature	4000 Kelvin
Beam angle	90 °
Color	black
CRI	>80
UGR ≤	28
Binning	6

## Accessories

1000918	REFLECTOR , for PARA FLAC LED pendant
1001691	PARA FLAC reflector
1001692	PARA FLAC reflector cover
228730	CONNECTION BOX , 3-pin, IP68

LXXBXX data	70/50
Service life	50000 h
Minimum ambient temperature	-20 °C
Maximum ambient temperature	40 °C
BIG WHITE Page	184

## Notes

---

---

---

---

---