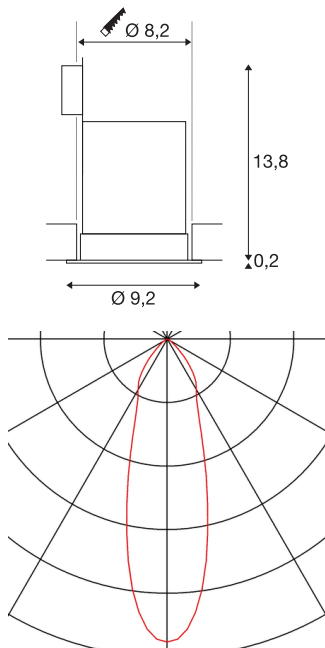




CONTONE

recessed fitting, LED, 2000-3000K, round, white, rigid, 13W, including leaf springs

With the CONTONE recessed ceiling light you can set the lighting mood however you desire. When dimming the built-in premium COB LED module, the colour of light changes from 3000K to 2000K, which is the same effect as when dimming a filament lamp. The electrical connection is made directly to the 230V mains supply thanks to the built-in LED driver.



TECHNICAL DATA

Item no.:	161291
Lamps included	0
Primary nominal voltage	220-240V ~50/60Hz mA/V
Secondary power / secondary voltage	350 mA/V
Height	14.0 cm
Diameter	9.2 cm
Installation diameter	8.2 cm
Installation depth	13.5 cm
Net weight	0.325 kg
Gross weight	0.42 kg
IP Code	IP 44
Safety class	II
Assembly	Recessed
Assembly details	Ceiling
Dimming technology	trailing edge
Wattage	16 W
Lumen	890 lm
Colour temperature	3000 Kelvin
Beam angle	30 °
Color	white
CRI	>90
Binning	6



LXXBXX data	70/50
Service life	40000 h
BIG WHITE Page	399

Notes
