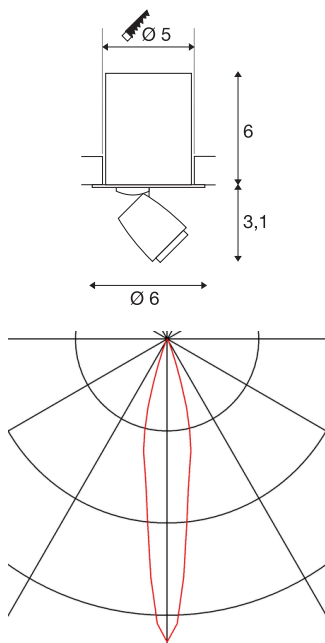




ILU

Spot, LED 50mm, 3000K, white, 350mA, 1.2W

With its eye-catching design, the ILU LED recessed ceiling light is ideal for glare-free accent lighting. The ILU LED comes in black and white and, thanks to its special construction can be telescoped in and outward as well as turned and pivoted. A LED driver with a constant current of 350mA is needed for use.



TECHNICAL DATA

Item no.:	115901
Lamps included	0
Number of different light outlets	1
Secondary power / secondary voltage	350 mA/V
Vertical tilting range	90 °
Horizontal rotation range	350 °
Height	9.1 cm
Diameter	6.0 cm
Installation diameter	5.0 cm
Installation depth	6.5 cm
Net weight	0.102 kg
Gross weight	0.16 kg
IP Code	IP 20
Safety class	III
Assembly	Recessed
Assembly details	Ceiling
Wattage	1 W
Lumen	55 lm
Colour temperature	3000 Kelvin
Beam angle	24 °
Color	white
CRI	>80

Accessories

111850	MULTIWAY CONNECTOR , 3 outputs with two bridges, black, max. 350mA
464107	LED DRIVER , 3VA, 350mA, with AMP plug, incl. strain relief

Binning	6
LXXBXX data	70/50
Service life	25000 h

Notes
