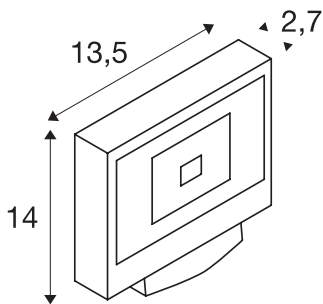




SPOODI SENSOR

LED Outdoor surface-mounted wall light, 11W, black, 3000K

SPOODI SENSOR powerful LED spotlight, for illuminating areas and spaces. By means of the swivelling mounting bracket and its IP65 protection class, the spotlight is suitable for mounting on exterior walls. The spotlight is connected directly to the 230V mains voltage supply. The spotlight, which is available with two different housings and light colours and also wattages, has a built-in infrared motion sensor. This is easy to adjust using the remote control.



TECHNICAL DATA

| | |
|-----------------------------------|------------------------|
| Item no.: | 232860 |
| Lamps included | 0 |
| Number of different light outlets | 1 |
| Primary nominal voltage | 220-240V ~50/60Hz mA/V |
| Vertical tilting range | 90 ° |
| Length | 13.5 cm |
| Width | 2.7 cm |
| Height | 14.0 cm |
| Net weight | 0.826 kg |
| Gross weight | 0.905 kg |
| IP Code | IP 65 |
| Safety class | I |
| Impact resistance class | IK04 |
| Impact resistance | 0,5 Joule |
| Assembly | Surface |
| Assembly details | Wall |
| Wattage | 11 W |
| Lumen | 800 lm |
| Colour temperature | 3000 Kelvin |
| Beam angle | 90 ° |
| Color | black |
| CRI | >80 |



| | |
|------------------------------------|---------|
| Binning | 6 |
| LXXBXX data | 70/50 |
| Service life | 30000 h |
| Minimum ambient temperature | -10 °C |
| Maximum ambient temperature | 40 °C |
| BIG WHITE Page | 633 |

Notes
