

Home distribution board DIDO-S

DIDO-S distribution boards are available in two types: surface mounted and flush mounted boards. Particular attention has been set to the need to give more space in the inside in order to facilitate the operations of wiring therefore favouring the simplicity of installation.

PE4, PE8 and PE12 boards have a particular system to fix the DIN rail; it allows to regulate its height in two positions, an inner and an outer position.

Some flush mounted boards (CMR) answering the demands of space saving products - more compact enclosures.


All distribution boards have DIN rail and brass terminal block (earth and neutral).

The particular structure of the lid limits the board prominence from the wall of only 20 mm, creating a product of discrete design and presence.

The interchangeability among the doors (transparent and opaque) and their reversibility together with the large space for the assembling make these series very versatile.

Always careful to the demands of the clients, all products are protected with a thermo-retractable film.

Technical data

Degree of protection	IP 40
Insulation class	F
Colour	White RAL 9010
Double insulation	
Standard	IEC 670-1/94
Installation temperature	- 15°/ + 60°C

Surface mounted distribution board - transparent door

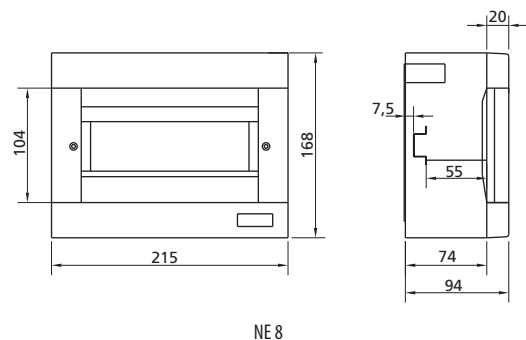
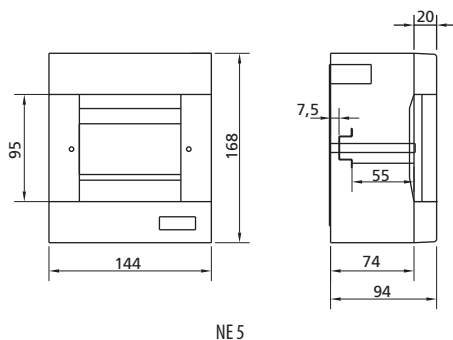
Type	dimensions [mm]
NE5 transp. door CT5PT	144x168x94
NE8 transp. door CT8PT	215x168x94
NE12 transp. door CT12PT	283x185x94
ND12 transp. door CT24PT	256x326x101
NT12 transp. door CT36PT	256x451x101

Surface mounted distribution board - without door

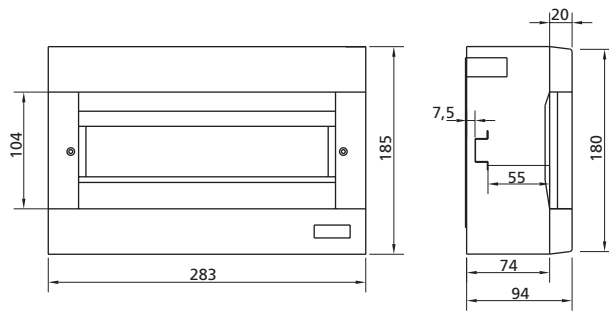
Type	dimensions [mm]
NE2 without door CT2	51x130x60
NE5 without door CT5	144x168x94
NE8 without door CT8	215x168x94
NE12 without door CT12	283x185x94
ND12 without door CT24	256x326x101
NT12 without door CT36	256x451x101

Surface mounted distribution board - white door

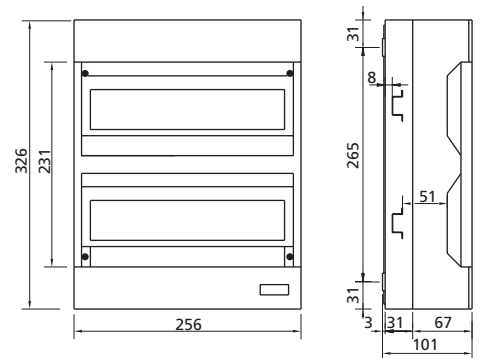
Type	dimensions [mm]
ND12 white door CT24PO	256x326x101
NT12 white door CT36PO	256x451x101



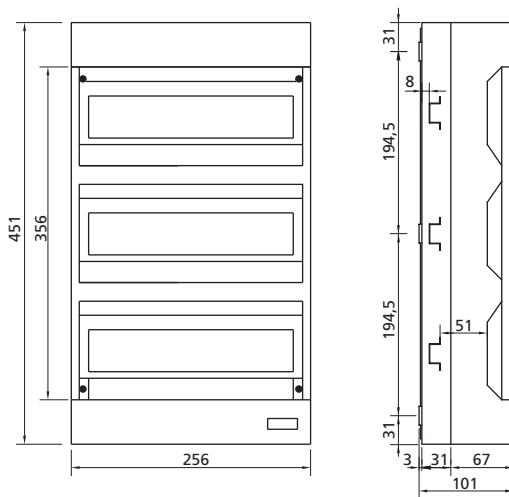
DIDO



NE 12



ND 12

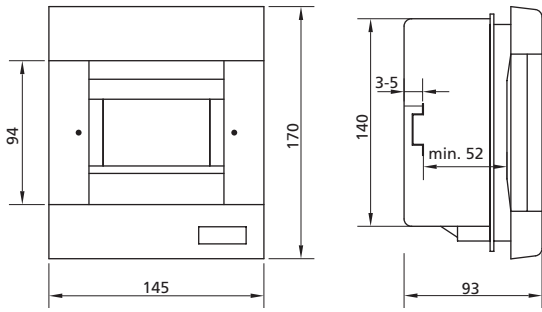


NT 12

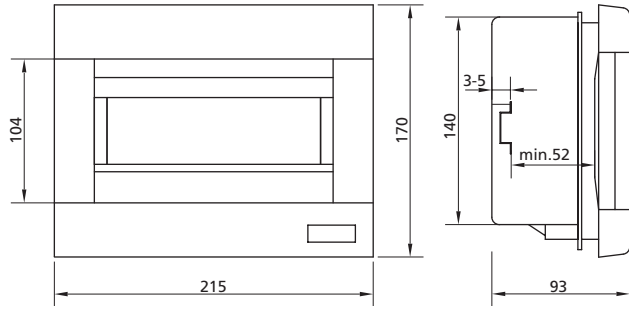
Flush mounted distribution board - without door	
Type	dimensions [mm]
PE4 without door CM4	145x170x93
PE8 without door CM8	215x170x93
PE12 without door CM12	285x185x93

Flush mounted distribution board - transparent door	
Type	dimensions [mm]
PE4 transparent door CM4PT	145x170x83
PE8 transparent door CM8PT	215x170x93
PE12 transparent door CM12PT	287x185x93
PD12 transparent door CMR24PT	345x300x97,5
PT12 transparent door CMR36PT	470x300x97,5

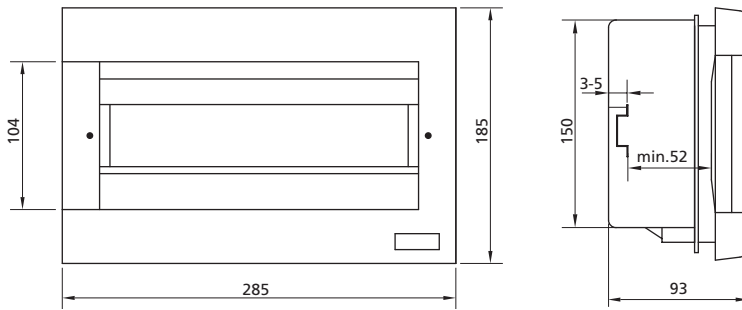
Flush mounted distribution board - white door	
Type	dimensions [mm]
PD12 white door CMR24PO	345x300x97,5
PT12 white door CMR36PO	470x300x97,5



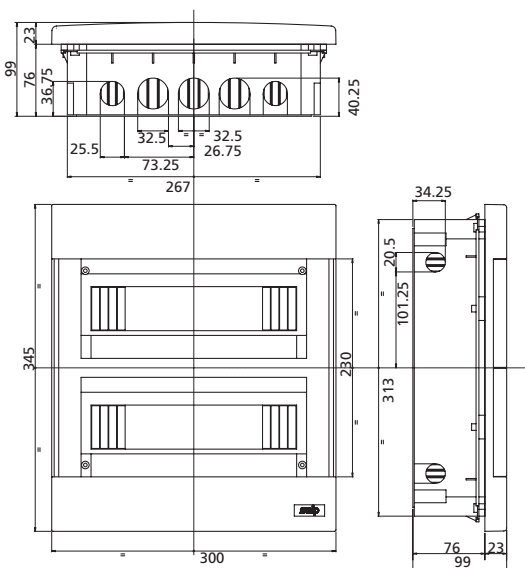
PE 4



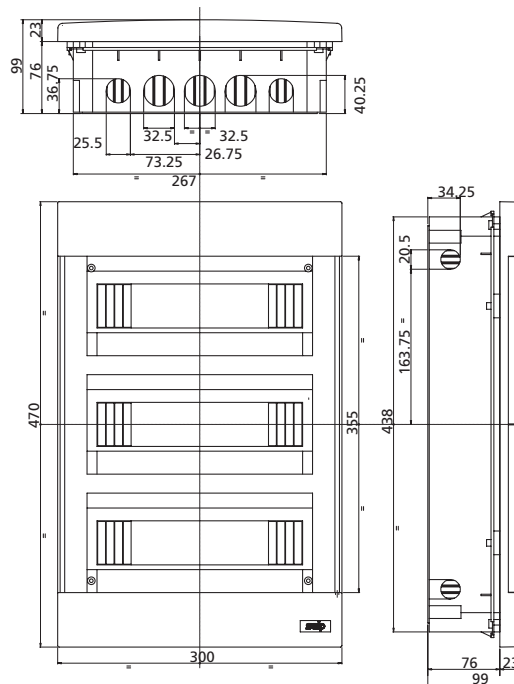
PE 8



PE 12



PD 12



PT 12