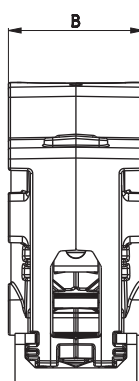
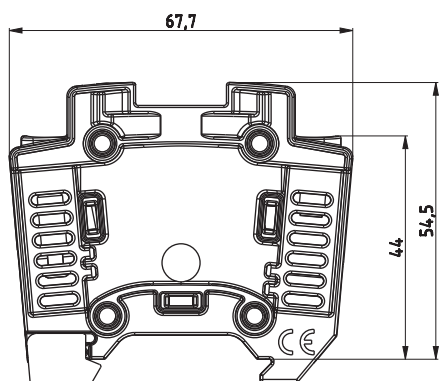


Plastic fuse base PFB D0

Technical data		
	PFB D01	PFB D02
Fuse type	D01	D02
Versions	w/o indicator, LED indicator version	
Number of poles	1p, 3p	
Thread	E14	E18
Rated operational voltage Ue	400V a.c. / 250V d.c.	
Rated operational current Ie	16A	63A
Rated frequency	45-62Hz	
Rated conditional short-circuit current	50kA a.c. / 8kA d.c.	
Max power dissipation of the fuse-link (W)	2,5W	5,5W
LED indicator operating range	50V-400V a.c. / 50V-250V d.c.	
Glow wire test (GWFI)	960°C	
Terminals		
Screw	PZ2 M5	
Torque	2Nm	2,5Nm
Input terminal	1 ... 35mm <sup>2</sup> + Busbar 16mm <sup>2</sup>	
Output terminal	1 ... 25mm <sup>2</sup>	
Humidity		
Operating ambient temperature	90% / 20°C	
Store ambient temperature	-5°C ... +40°C	
Degree of protection (IEC 60529)	-25°C ... +55°C	
Mounting on EN 60715 rail	IP 20	
	35mm	
Standards		
Approvals	IEC 60269-3, VDE0636-3	
	VDE, OVE	



type	B [mm]
1p	26,8
3p	80,4