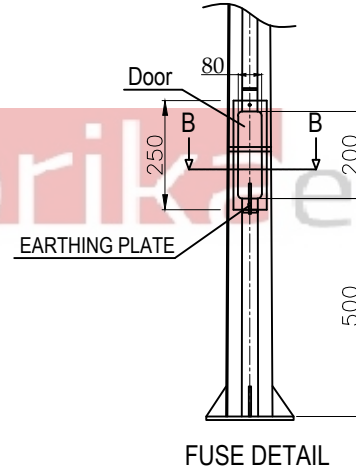
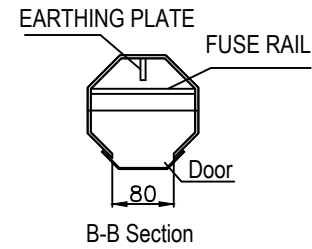


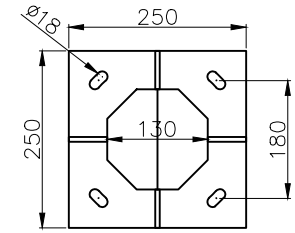
4 x M16 x 500 Anchor Bolts



FUSE DETAIL



B-B Section



BASE PLATE  
# 10 mm x 250x 250

GENERAL NOTES / GENEL NOTLAR

MATERIAL/MALAZEME

\* TM LLER mm.DİR  
\* ALL DIMENSIONS ARE IN mm

\* TM ELİK ELEMANLAR , ÇİVATA,SOMUN VE RONDELALAR SICAK DALDIRMA GALVANİZDİR ( EN ISO 1461  
\* ALL STEEL ITEMS.BOLTS.NUTS & WASHERS TO BE HOT-DIPO GALVD.AS PER ( EN ISO 1461 )  
\* TASARIM KRİTELLERİNE GÖRE ÇİVATALAR ( ISO 898 ) 5.8 & 6.8 & 8.8 OLARAK KULLANILABİLİR  
\* BOLTS CAN BE USED AS ( ISO 898 ) 5.8 & 6.8 & 8.8 ACCORDING TO DESIGN CRITERIA

SAFT / GVDE	S235
FLANGE / FLANŞ	S235
OTHER ACCESSORIES / DİĞER AKSESUARLAR	S235

	NAME/ İSİM	SİNG/ İMZA	DATE/ TARİH
DESİNG/ HAZIRLAYAN	E. AYGN		28/11/2017
DRAWN / ÇİZEN	E. AYGN		28/11/2017
CHECKED / KONTROL	E. AYGN		28/11/2017
APPROVED / ONAY	E. AYGN		28/11/2017

AD 80 ZEL AYDINLATMA DİREGİ



DESIGN NOTES/ TASARIM NOTLARI	
DESİNG WIND SPED / TASARIM RZGAR HIZI	
FOCTOR OF SAFETY / GVENLİK KAT SAYISI	
DESİNG STANDART / TASARIM STANDARTI	

SIPTEK NO	
PAFTA NO	
TARİH	28/11/2017
SHEET 1 OF 1	LCEK/ SCALE REV.

**fabrikaenerji**  
www.fabrikaenerji.com