

Modular contactors AC-1, ACDC-coil



BZ326482VM

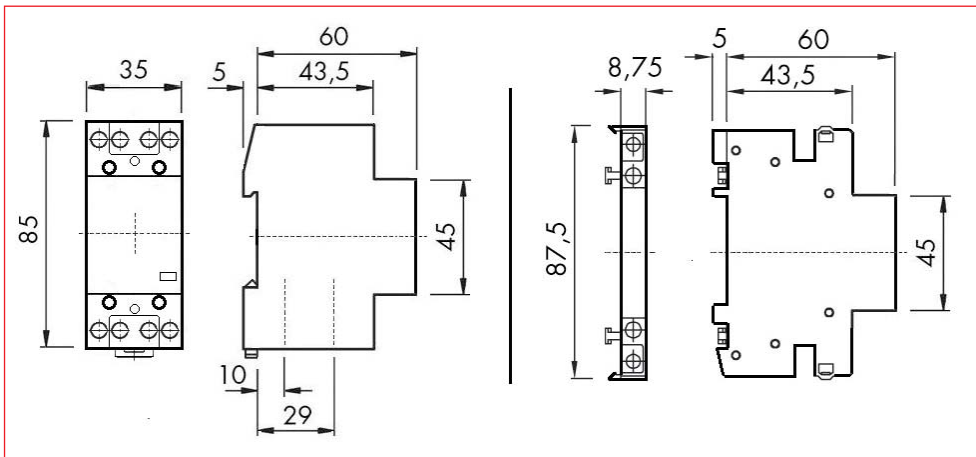


BZ326470VM

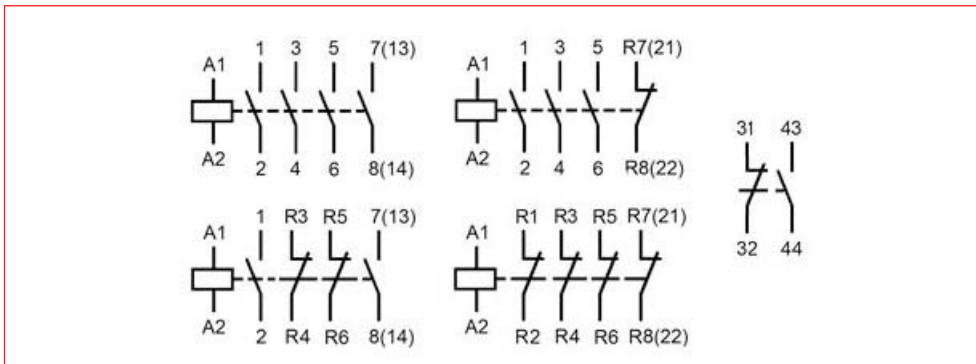
Schrack-Info

- Compact modular design , mounting to DIN-rail TS35, for covers with slot dimension 45mm
- With optical position indicator
- Types with ACDC-coil hum-free
- Types 25A, 40A and 63A can be retrofitted by lateral auxiliary contact

Dimensions (mm)



Circuit Diagrams



Modular contactors AC-1, ACDC-coil

Type			4-pole 25A	BZ326470VM
Main contacts ^{5) 6) 7)}				
Rated insulation voltage U_i		V~	440 ²⁾	440 ²⁾
Rated operational voltage U_e		V~	440	440
Switching frequency	AC1, AC3	1/h	300	600
Mechanical endurance		$S \times 10^6$	1	1
Utilization category AC1				
Rated operational current I_e ($=I_{th}$)		A	25	-
open... at	60°C			
Endurance of main contacts		$S \times 10^6$	0,1	-
Minimum switching voltage		V/mA	24/100	17/5
Short time current	10s-current	A	72	-
Power loss per pole $I_e/AC1$		W	2	0,5
Utilization category AC3 / AC7b				
Switching of slipping or squirrel-cage motors				
Rated operational current I_e		A	9	-
Rated power of motor	220V	kW	2,2	-
50-60Hz	230-240V	kW	2,5	-
	380-415V	kW	4	-
2-pole motors	230V	kW	-	-
Endurance of main contacts		$S \times 10^6$	0,15	-
Power consumption of coil				
AC-operated	closing	VA	20 - 25	-
	closed	VA	4-6	-
		W	3 - 3,5	-
DC-operated		W	3-4	-
Operating range of coil				
in multiples of control voltage U_c (-40°C up to +40°C)			0,85 - 1,1	-

1) Valid for: earthed-neutral systems, overvoltage category I to IV, pollution degree 3 (standard-industry): $U_{imp} = 6kV$

2) Valid for: earthed-neutral systems, overvoltage category I to III, pollution degree 3 (standard-industry): $U_{imp} = 4kV$

3) Maximum cable cross-section with prepared conductor

5) rated frequency 50/60Hz

6) Max. occ. switching overvoltage $< 4kV$

7) Duty cycle: 100%

DESCRIPTION	AVAILABLE	ORDER NO.
ACDC-coil 24V		
25 A, 1 NO, 3 NC/24 VACDC		BZ326464VM
25 A, 2 NO, 2 NC/24 VACDC		BZ326482VM
25 A, 3 NO, 1 NC/24 VACDC		BZ326462VM
25 A, 4 NO/24 VACDC		BZ326460VM
25 A, 4 NC/24 VACDC		BZ326483VM
ACDC-coil 230V		
25 A, 1 NO, 3 NC/230 VACDC		BZ326465VM
25 A, 2 NO, 2 NC/230 VACDC		BZ326472VM
25 A, 3 NO, 1 NC/230 VACDC		BZ326463VM
25 A, 4 NO/230 VACDC		BZ326461VM
25 A, 4 NC/230 VACDC		BZ326467VM
Accessories		
Aux.contact block 1NC+1NO 3A for VM-types		BZ326470VM



Order no. blue: on stock, usually ready for delivery on the day of order