

Relay Sockets & Sets

Relay Sockets for S-Relay



YRS78704



YRS16016

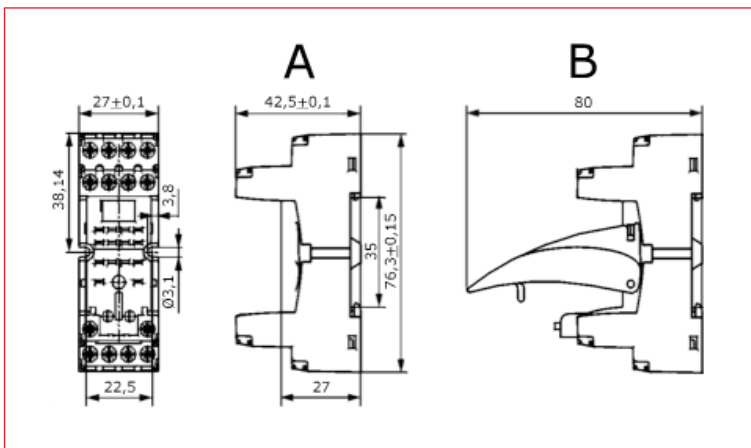


YRS16040

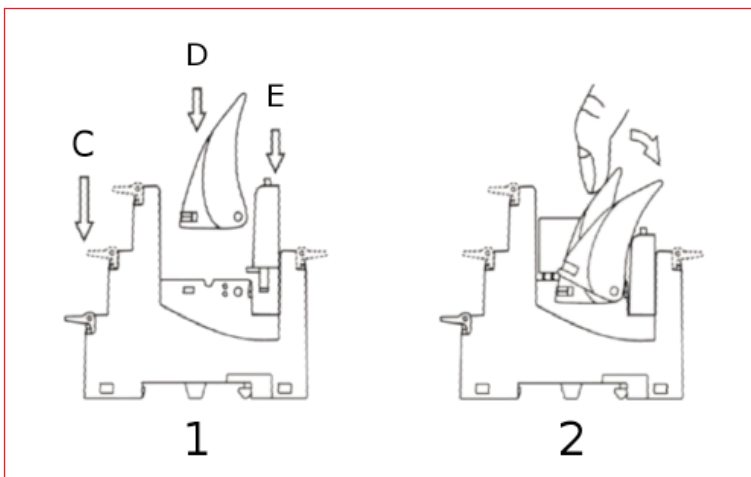
Schrack-Info

- Socket for S-RELAY Series 4
- Suitable for mounting in electrical enclosures or for DIN rail mounting
- High-grade terminals preventing incorrect insertion
- Captive terminal screws

Dimensions (mm)



Mounting Of Accessories

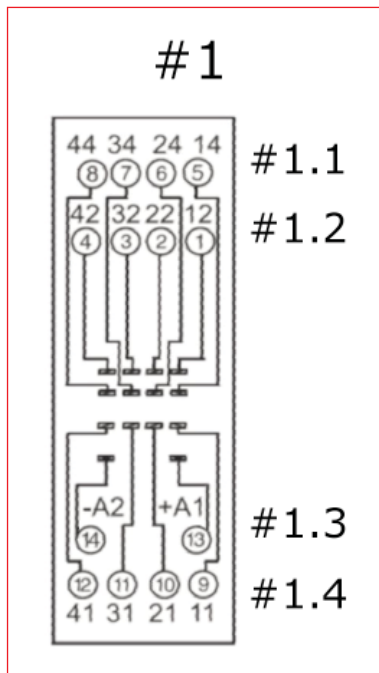


Dimensions & Mounting Of Accessories

A	Standard socket
B	Socket with retainer/ retractor clip
1	Installation of retainer/ retractor clip, module and description plate
2	Retainer/ retractor clip usage
C	Description plate
D	Retainer/ retractor clip
E	Module

Relay Sockets for S-Relay

Circuit Diagram



Circuit Diagram

#1	Terminals
#1.1	NO contacts
#1.2	NC contacts
#1.3	Coil
#1.4	COM

Technical Data

TECHNICAL DATA		
Type		14-pole for 4-pole plug-in relays
Rated current		6 A
Rated voltage/ max. switching voltage AC		300 V
Dielectric strength	Coil/ contact set Contacts	3000 V (50/60 Hz 1 min.)
Connections		Screw terminals
Terminal torque according to IEC 61984		0.7 Nm
Force for single connector		> 0.8 N
Connection material		Copper or stranded wire
Terminal capacity	Max. cable connectivity Rated connectivity	2 x 2.5 mm ² 2 x 1.5 mm ²
Ambient temperature	Storage Operating	-40...+85 °C -40...+70 °C
Degree of protection		IP20
Mounting/ rail		DIN-rail mounting

DESCRIPTION	AVAILABLE	ORDER NO.
Socket with screw terminals 14 pole, mounting on DIN-rail for 4 pole relays 6A		YRS78704
Retaining clip		YRS16016
Marking tag		YRS16040



Order no. blue: on stock, usually ready for delivery on the day of order