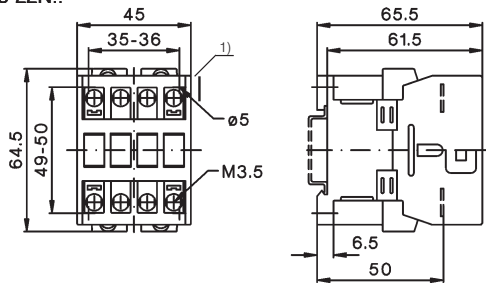


# Contactors

## Dimensions

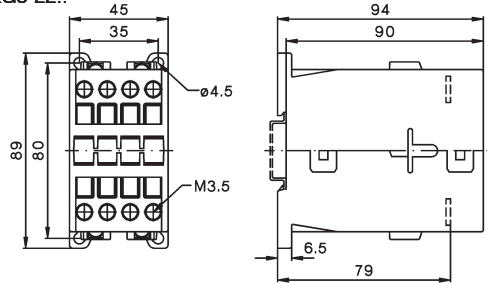
### AC operated

K3-10N..  
K3-14N..  
K3-18N..  
K3-22N..

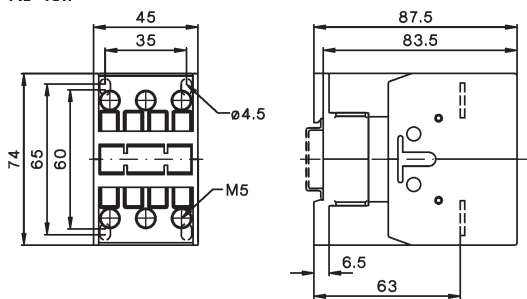


### DC operated

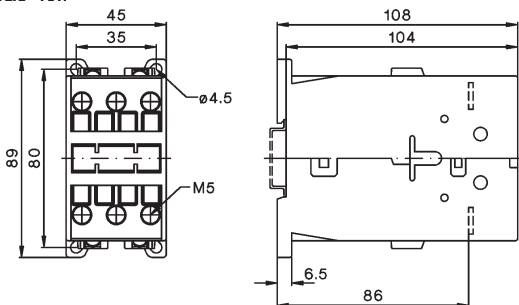
KG3-10..  
KG3-14..  
KG3-18..  
KG3-22..



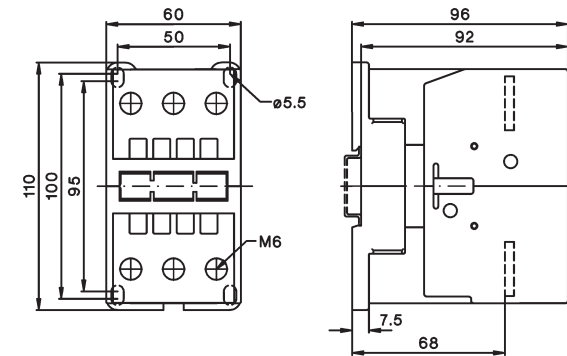
K3-24..  
K3-32..  
K3-40..



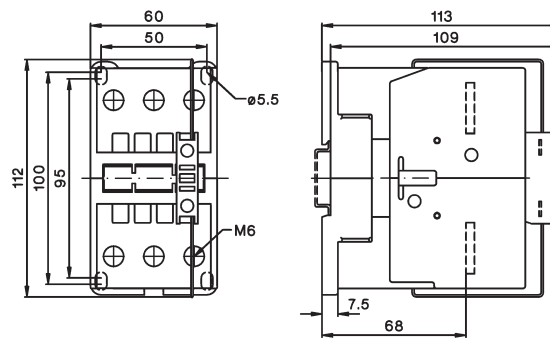
KG3-24..  
KG3-32..  
KG3-40..



K3-50..  
K3-62..  
K3-74..

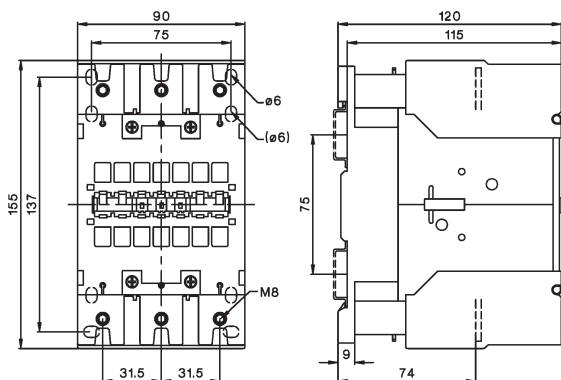


K3-50.. =  
K3-62.. =  
K3-74.. =



### AC and DC operated

K3-90..  
K3-115..



1) Minimum side distance to conductive parts for coil voltage:  
500V  $U_{imp}=6kV$  2mm  
660-690V  $U_{imp}=8kV$  4,5mm