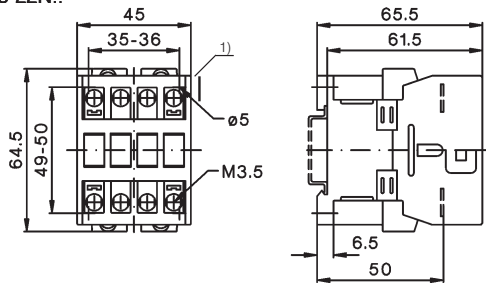


Contactors

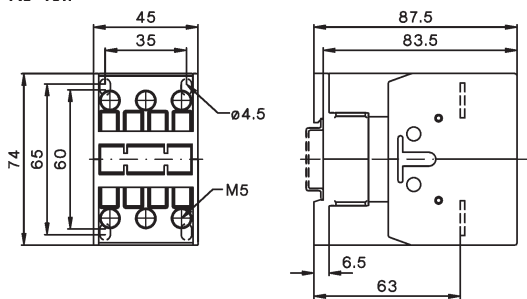
Dimensions

AC operated

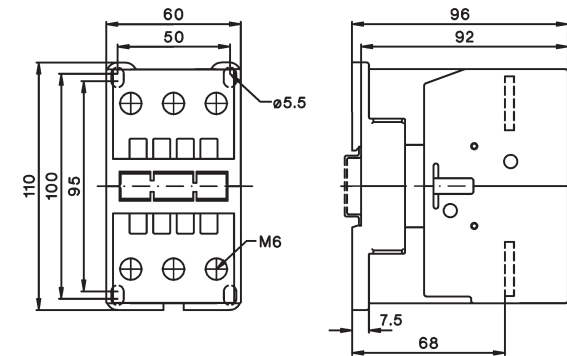
K3-10N..
K3-14N..
K3-18N..
K3-22N..



K3-24..
K3-32..
K3-40..

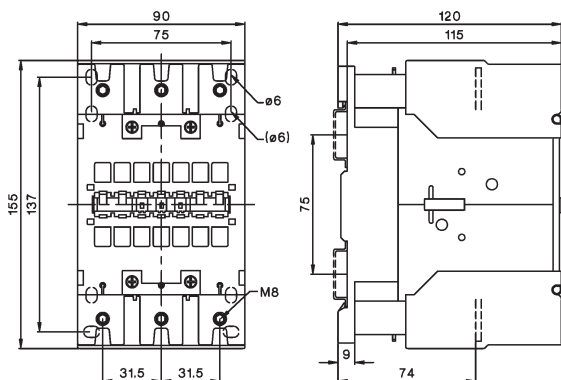


K3-50..
K3-62..
K3-74..



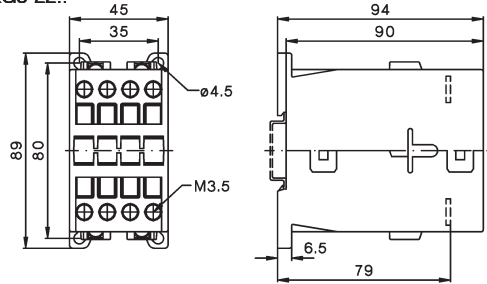
AC and DC operated

K3-90..
K3-115..

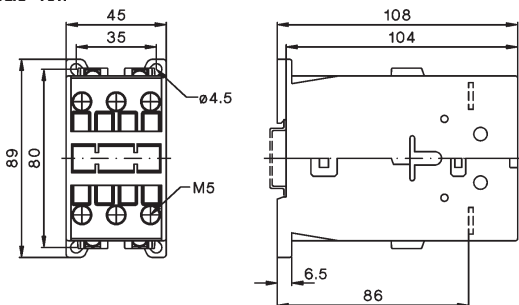


DC operated

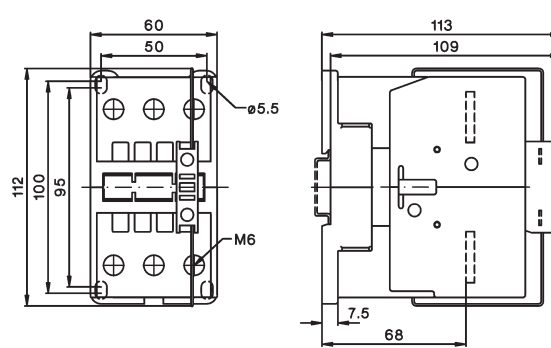
KG3-10..
KG3-14..
KG3-18..
KG3-22..



KG3-24..
KG3-32..
KG3-40..



K3-50.. =
K3-62.. =
K3-74.. =



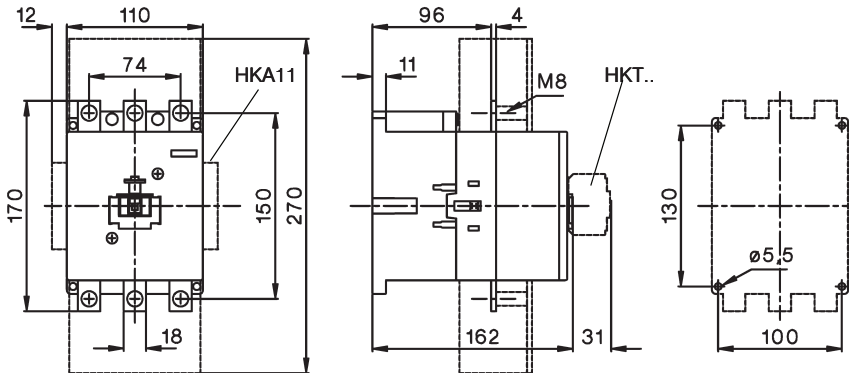
1) Minimum side distance to
conductive parts for coil voltage:
500V $U_{imp}=6kV$ 2mm
660-690V $U_{imp}=8kV$ 4,5mm

Contactors

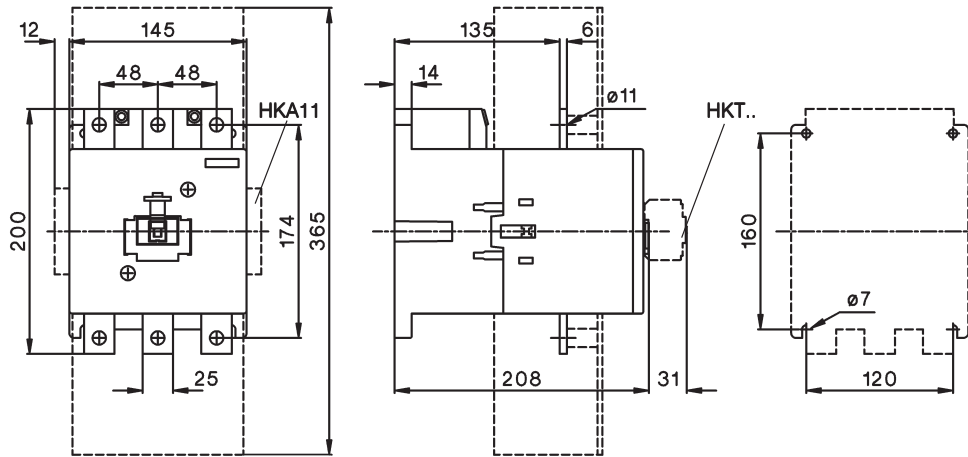
Dimensions

AC operated, DC operated

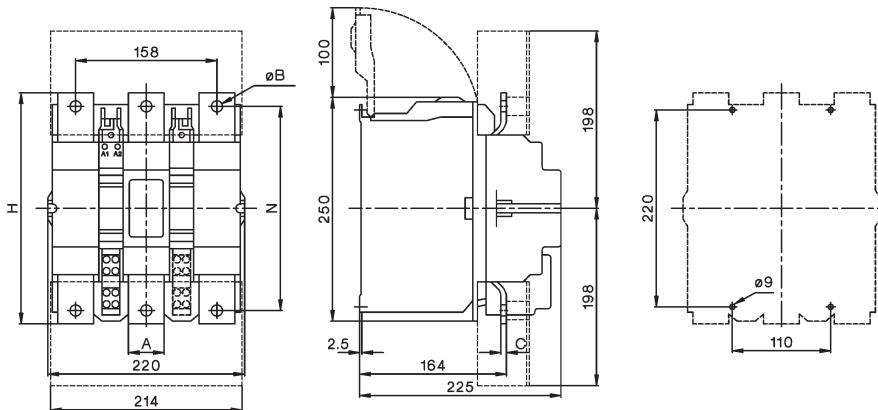
K3-151..
K3-176..



K3-210..
K3-260..
K3-316..



K3-450..
K3-550..



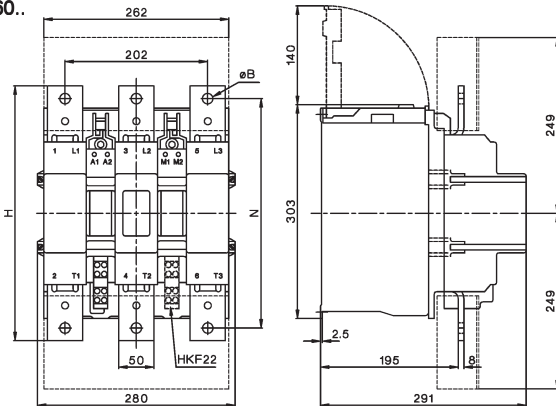
Typ	A	B	C	H	N
K3-450	40	10,5	4	233	206
K3-550	40	12,5	6	258	228

Contactors

Dimensions

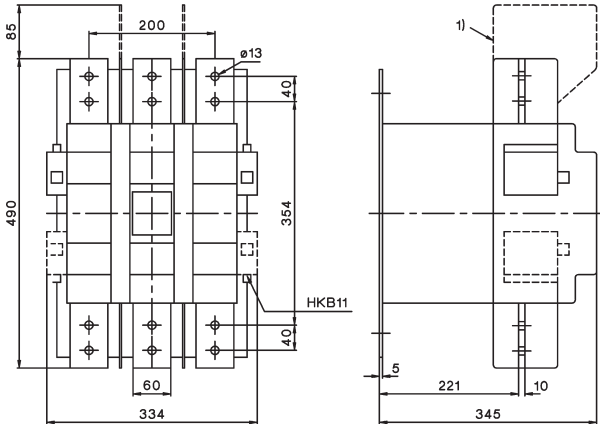
AC and DC operated

K3-700..
K3-860..

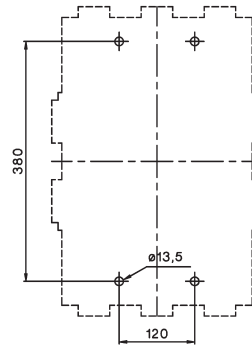


Typ	B	H	N
K3-700	13	310	277
K3-860	15	361	325

K3-1000..
K3-1200..

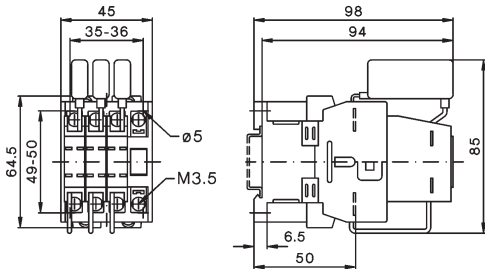


1) for K3-1200 in UL conformity application only

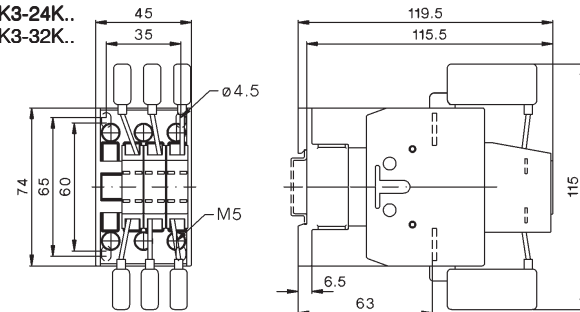


Capacitor switching contactors, AC operated

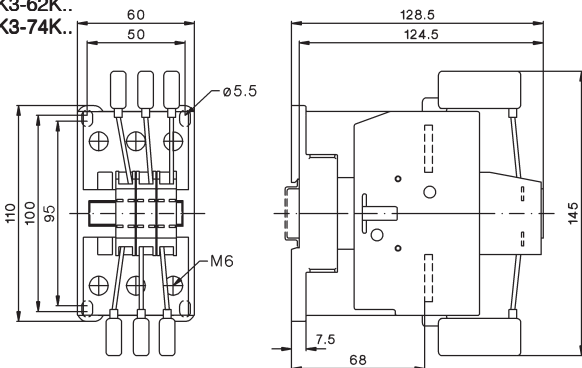
K3-18NK..



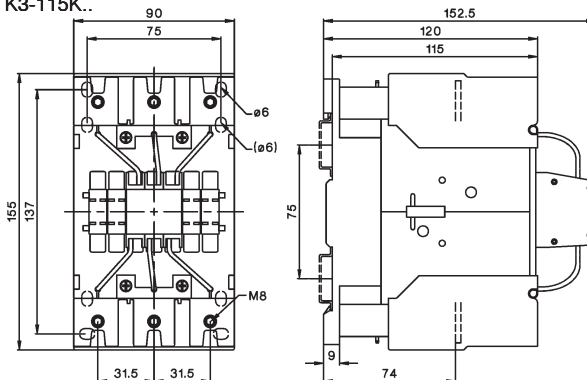
K3-24K..
K3-32K..



K3-50K..
K3-62K..
K3-74K..



K3-90K..
K3-115K..



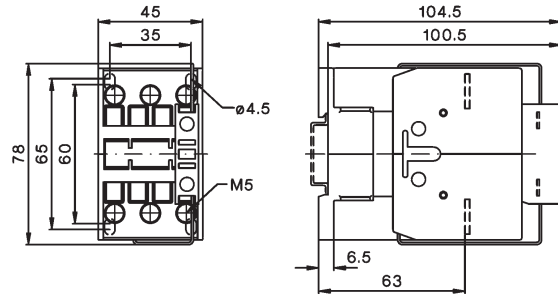
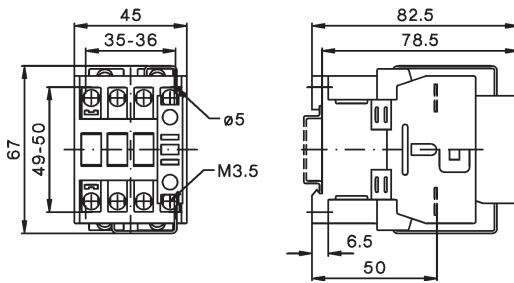
Contactors

Dimensions

Contactors DC operated

K3-10N..=
K3-14N..=
K3-18N..=
K3-22N..=

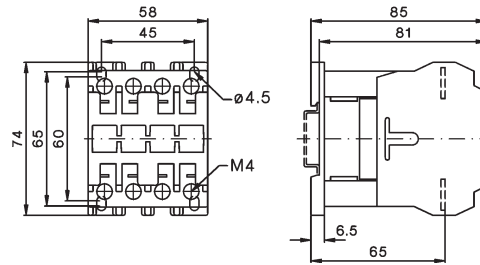
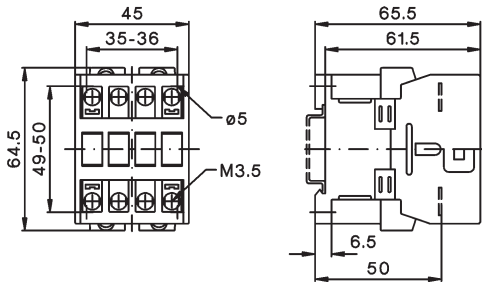
K3-24..=
K3-32..=
K3-40..=



Contactors 4-pole, AC operated

K3-10NA00-40
K3-14NA00-40
K3-18NA00-40
K3-22NA00-40

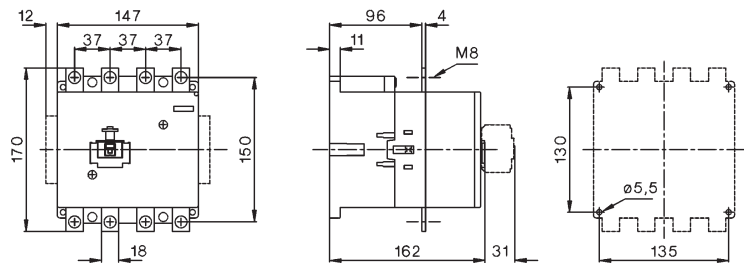
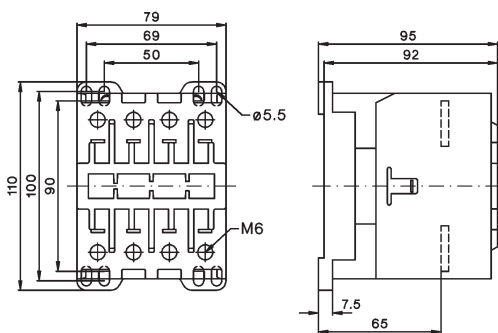
K2-23A00-40
K2-30A00-40
K2-37A00-40



Contactors 4-pole, AC operated

K2-45A00-40
K2-60A00-40

K3-116A00-40
K3-151A00-40
K3-176A00-40



Contactors 4-pole, AC and DC operated

K3-210A00-40
K3-260A00-40
K3-316A00-40

