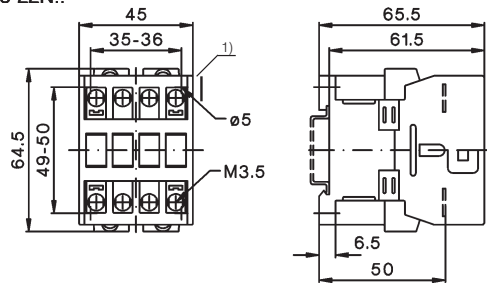


Contactors

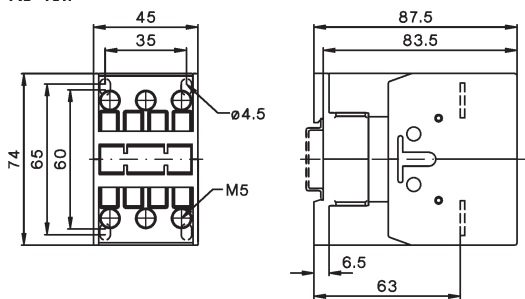
Dimensions

AC operated

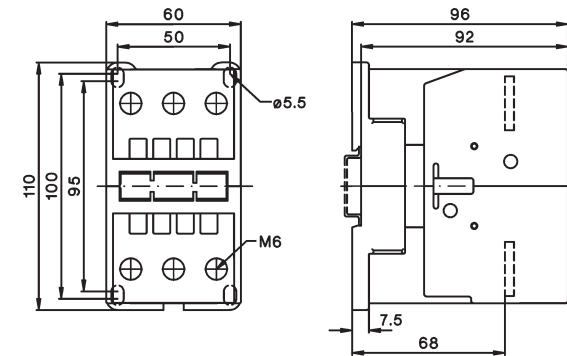
K3-10N..
K3-14N..
K3-18N..
K3-22N..



K3-24..
K3-32..
K3-40..

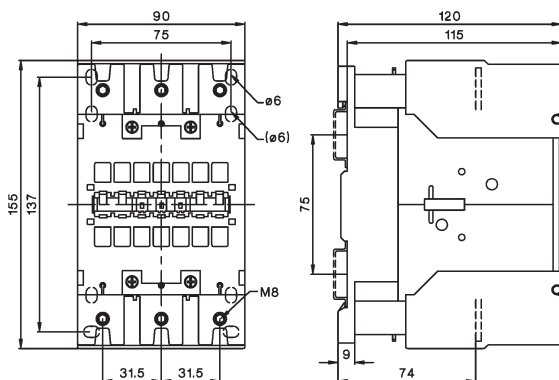


K3-50..
K3-62..
K3-74..



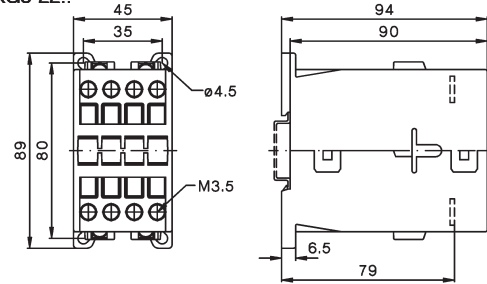
AC and DC operated

K3-90..
K3-115..

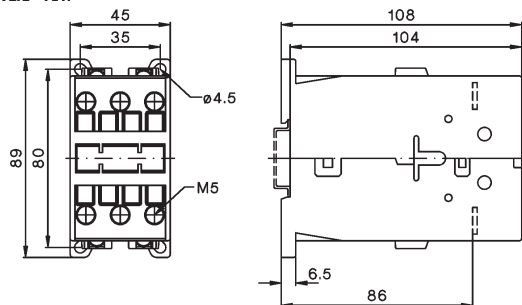


DC operated

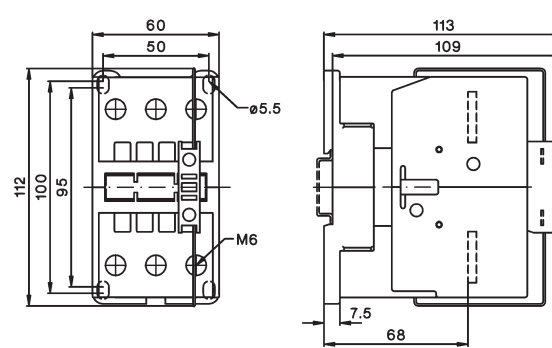
KG3-10..
KG3-14..
KG3-18..
KG3-22..



KG3-24..
KG3-32..
KG3-40..



K3-50.. =
K3-62.. =
K3-74.. =



1) Minimum side distance to
conductive parts for coil voltage:
500V $U_{imp}=6kV$ 2mm
660-690V $U_{imp}=8kV$ 4,5mm