

■ Datasheet: Digital, 3-phase—kWh meters, 80A direct, 1 or 2 tariffs, S0 or M-bus-connection



■ SCHRACK-INFO

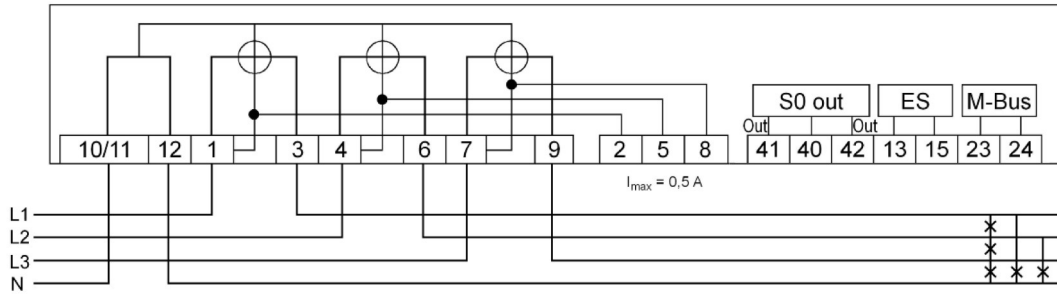
- For industrial use and billing use
- Compact size, only 6 MW
- Up to 2 tariffs
- 8-digits LCD-Display
- Busbar available
- MID-certificated

■ Technical datas

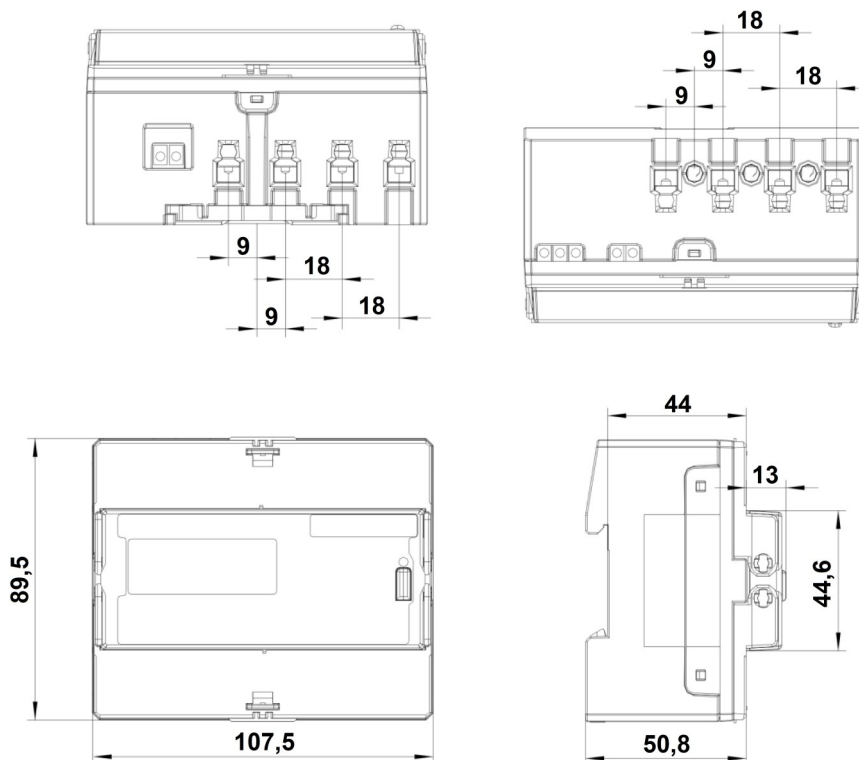
Voltage:	4-wire: 3x230/400V AC
Current:	0,25 - 80A
Rated current:	0,25 - 5 (80)A
Frequency	50 Hz
Accuracy: active energy	Cl. B acc. to EN 50470-1, -3
Messuring type: Watt	+ A (with non-reverse ratchet)
Meter constants	LED - direct connected meter: 1000 Imp./kWh
	Output - direct connected meter: 10 - 1000 Imp./kWh
	pulse length: 30, 50 or 100ms
Energy registers	number: max. 2 tariff registers (option)
	Control input for: 1 (option)
	tariff switching (option): 230V / AC

Data retention time	without voltage in Flash / EEPROM, at least 20 years
Display	version: LCD with backlight
	number of digits: 8
	digitness: 4,4 - 8,0
	digit size in the value range: appr. 6,8 x 3,4 (HxB) mm
Output	1 impulse-output S0
	max. 27V/DC, 27mA (passive)
	pulse length: 30, 50 or 100ms
Energy supply	switched-mode power supply
	3-phase from the measuring voltage
Power consumption per phase	voltage path: < 2 VA / < 1 W
	current path - direct connected meter: < 2,5 VA
EMV-characteristics	isolation resistance: isolation: 4kV AC, 50Hz, 1min
	surge voltage EMC: 4kV, Impuls 1,2/50 μ s, 2 Ω
	surge voltage ISO: 6kV, Impuls 1,2/50 μ s, 500 Ω
	resistance against HF-fields: 10 V/m (under load)
Temperature range	isolation resistance: - 25°C bis + 55°C
	resistance against: - 40°C bis + 70°C
Relative humidity	95%, non-condensing acc. To IEC 62052-11
	EN 50470-1 and IEC 60068-2-30
Housing	dimensions: 6 MW = 107,5 x 89,5 x 64,0 (B x H x T) mm
	class of protection: II
	degree of protection: IP20
	material: polycarbonat glass-fibre-reinforced
	fire characteristics: acc. to IEC 62052-11
Weight	appr. 450 g
Connection-cross section	current- / neutral terminals - direct connected meter: max. 25mm ²
	voltage-/ auxiliary terminals: max. 2,5mm ²
Features	measuring of instantaneous values: power, voltage, current
	button for backlight, instantaneous values and programming
Option:	2-tariffs, M-Bus-connection

Wiring diagram



Dimensions



▀ Articles

S0-connection

Description	order no.
80A direct, MID, 1 tariff	MGDIZ080--
80A direct, MID, 2 tariffs	MGDIZ080-Z

M-Bus-connection

Description	order no.
80A direct, MID, 1 tariff, with M-Bus-connection	MGDIZ380--
80A direct, MID, 2 tariffs, with M-Bus-connection	MGDIZ380-Z