

Thermal Overload Relays

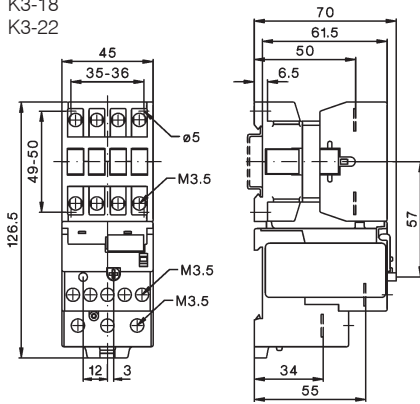
Dimensions

K3-10 + U3/32

K3-14

K3-18

K3-22

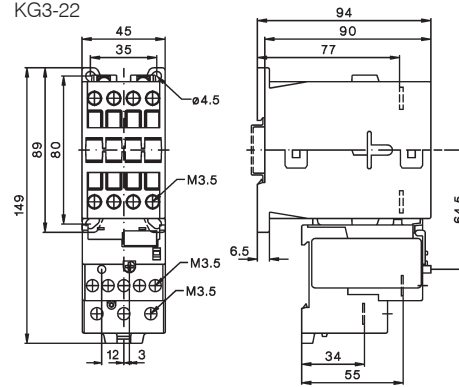


KG3-10 + U3/32

KG3-14

KG3-18

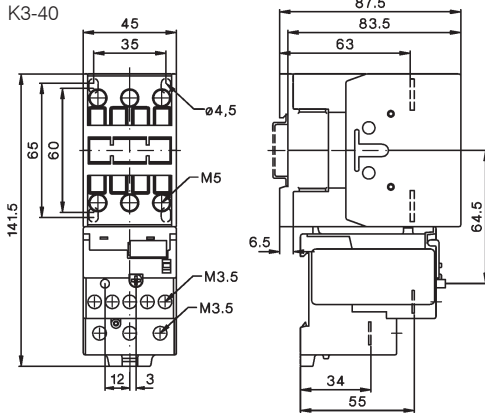
KG3-22



K3-24 + U3/32

K3-32

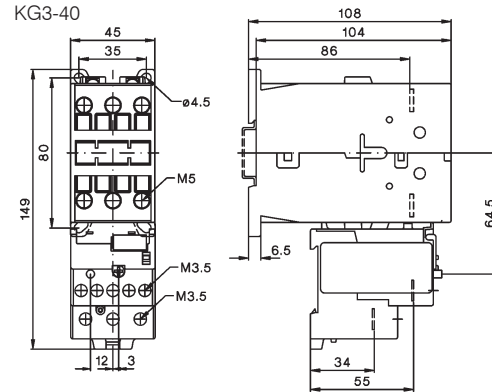
K3-40



KG3-24 + U3/32

KG3-32

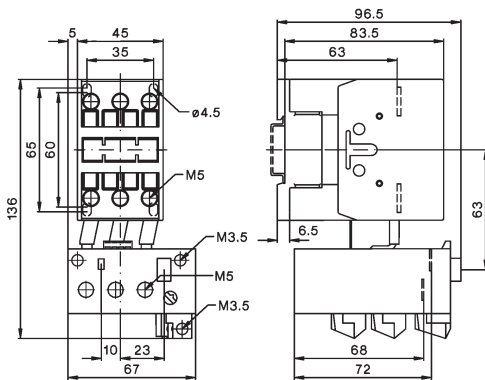
KG3-40



K3-24 + U3/42

K3-32

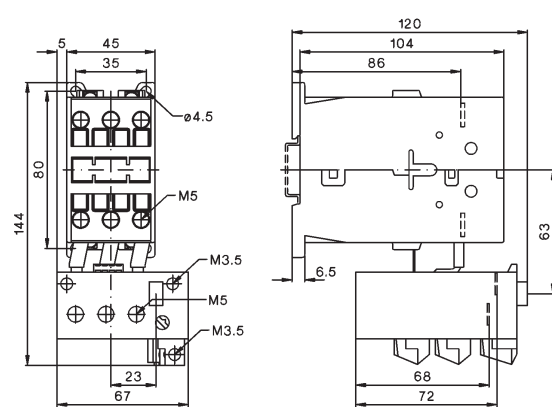
K3-40



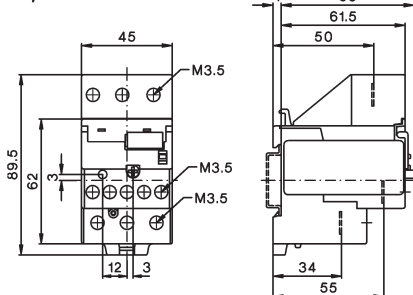
KG3-24 + U3/42

KG3-32

KG3-40

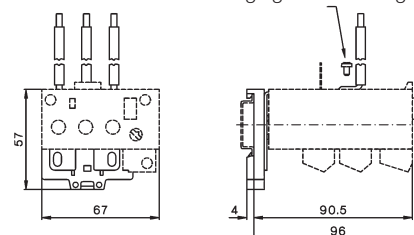


U3/32SM



U3/42G + LG5830-

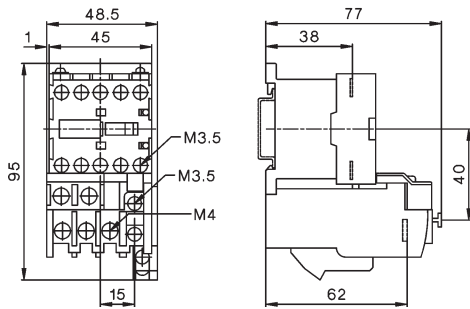
Changing of connecting wire with 1,8Nm



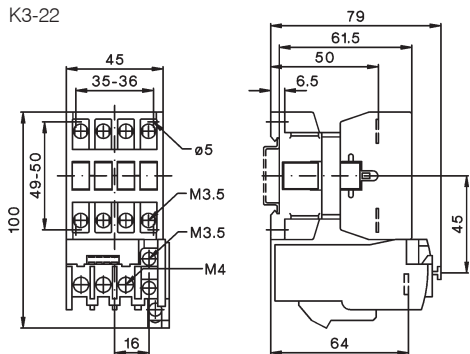
Thermal Overload Relays

Dimensions

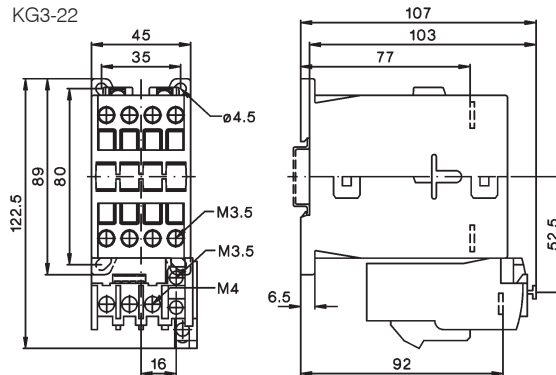
K1-09 + U12/16.. K1
K1-12



K3-10 + U12/16 E K3
K3-14
K3-18
K3-22

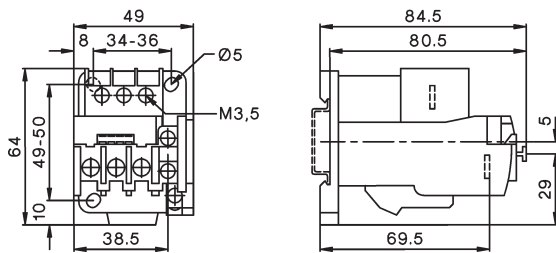


KG3-10 + U12/16 E K3
KG3-14
KG3-18
KG3-22

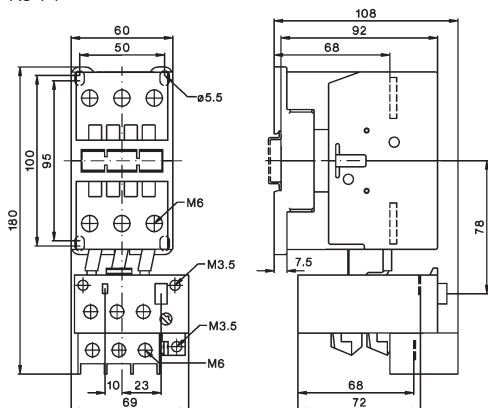


U12SM K3

U12/16..K3 + U12SM K3 for snap-on 35mm DIN-rail according to DIN EN50022 and screw mounting (single mounting)



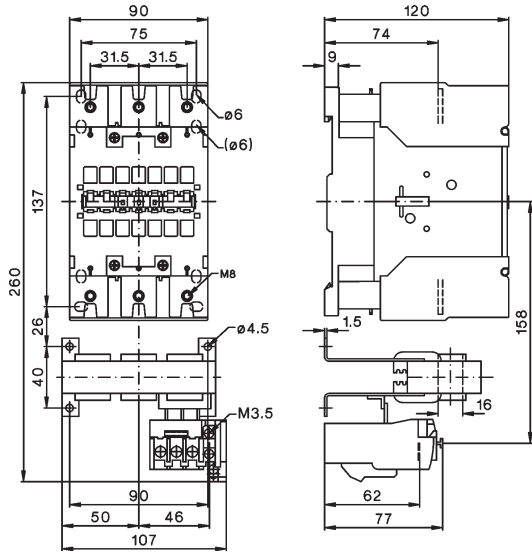
K3-50 + U3/74
K3-62
K3-74



Thermal Overload Relays

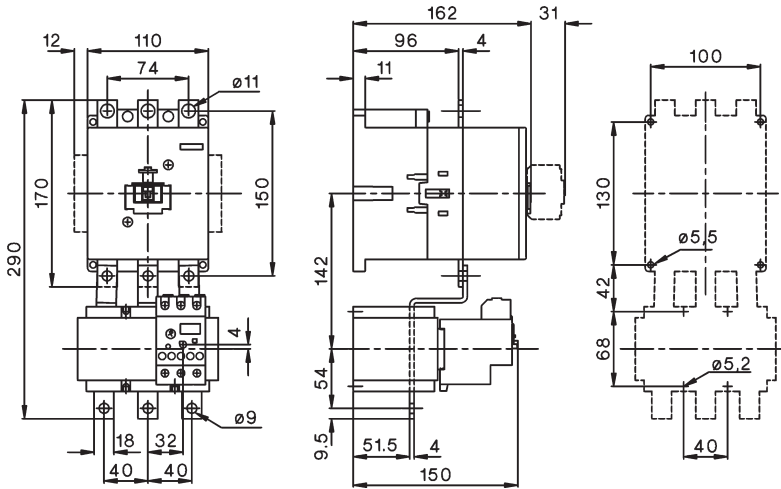
Dimensions

K3-90A + U85
K3-115A



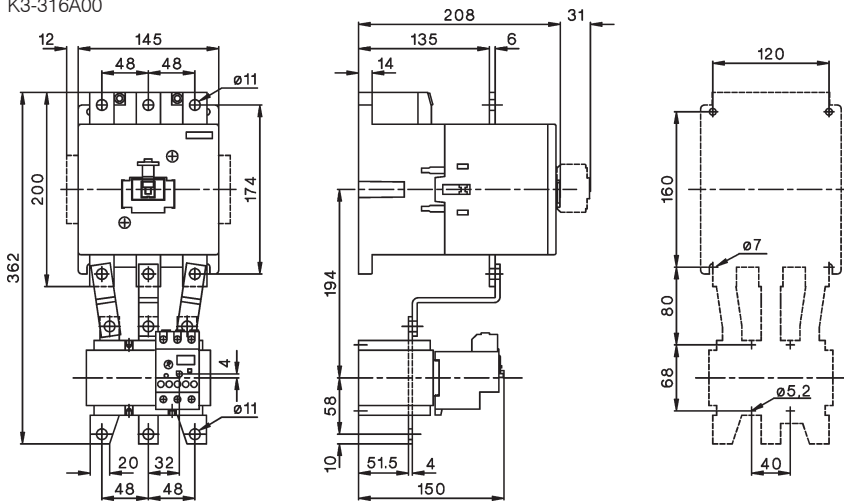
K3-151A00 + U180
K3-176A00

Bohrplan



K3-210A00 + U320
K3-260A00
K3-316A00

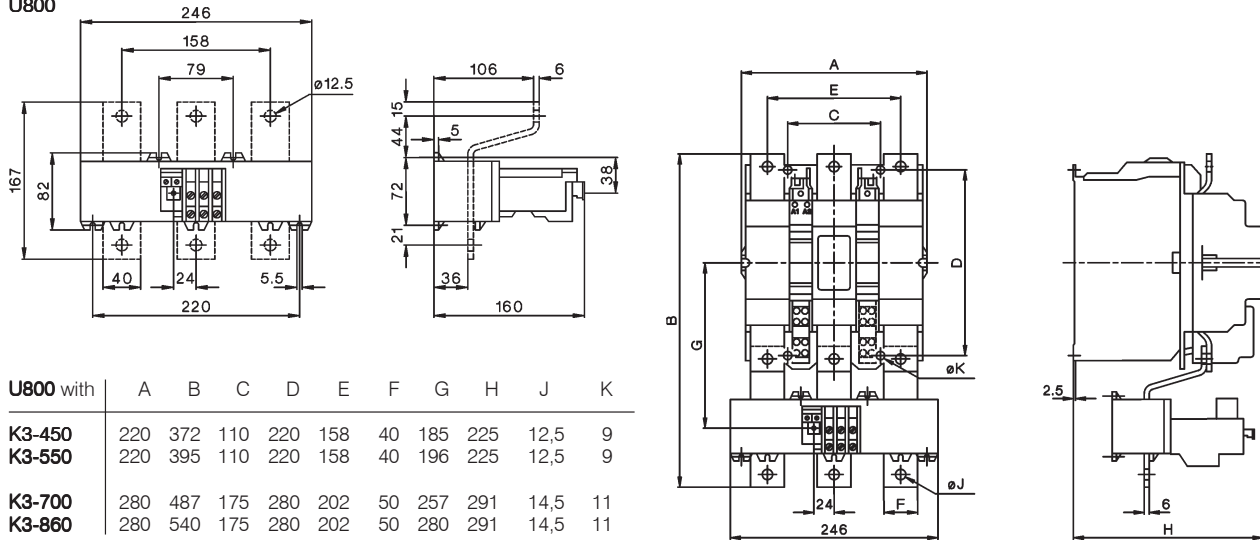
Bohrplan



Thermal Overload Relays

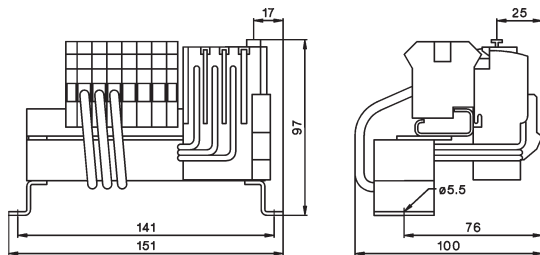
Dimensions

U800

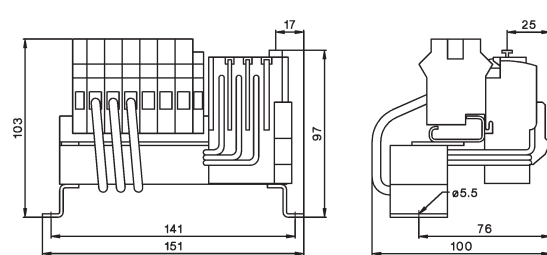


U800 with	A	B	C	D	E	F	G	H	J	K
K3-450	220	372	110	220	158	40	185	225	12,5	9
K3-550	220	395	110	220	158	40	196	225	12,5	9
K3-700	280	487	175	280	202	50	257	291	14,5	11
K3-860	280	540	175	280	202	50	280	291	14,5	11

UAT21



UAT22



UAT23

Type	Setting Range	A	B
UAT23 37	23-37A	105,5	97,5
UAT23 49	32-49A	94	86
UAT23 72	48-72A	94	86

