

Modular Operating Hour Meter for Flush Mounting 48x48 mm



BZ326413-A

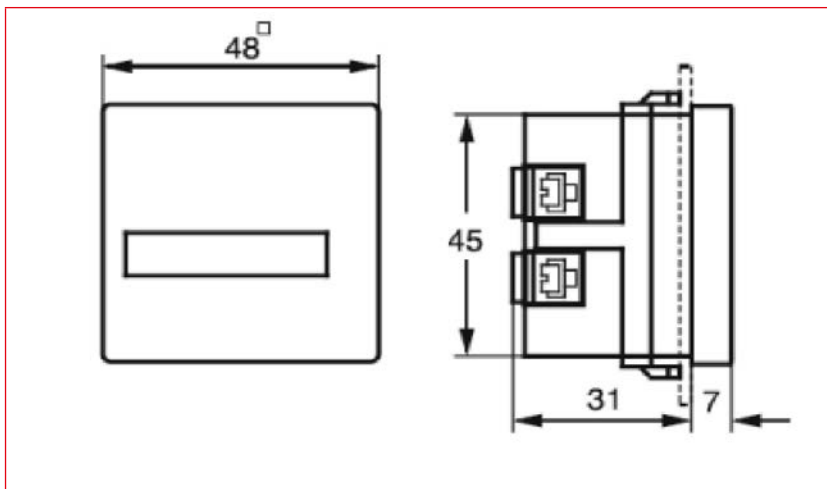
Schrack-Info

- With screw terminals for installation
- Durable, maintenance-free technology
- Robust and reliable
- Applications: Operating hour control in machines and pumps

Technical Data

Rated voltage	230 V, 50 Hz
Frequency	50 Hz, 60 Hz
Tolerance of voltage	±15%
Power consumption	0,15 W
Counting capacity	99.999 hour
Accuracy	0,01 hour
Digit-size	4,4 mm
Digit color	white, decimal red
Tap-change in progress indicator (without zero position)	tip speed
Ambient temperature	-15°...+55°C
Cover	self-extinguishing thermoplastic
Panel-mounting	cover according DIN EN 43700
Connection	Universal Connection: threaded, soldering and AMP connector 6.3 x 0.8 mm
Protection class	Front IP 50 according DIN EN 60529 (with adapter frame BZ326416-A: IP 54)
Insulation class	II

Dimensions



DESCRIPTION	AVAILABLE	ORDER NO.
230V AC, IP20		BZ326413-A
230V AC, IP54		BZ326414-A
Adapter frame 55x55 for BZ326413-A & BZ326414-A		BZ326416-A