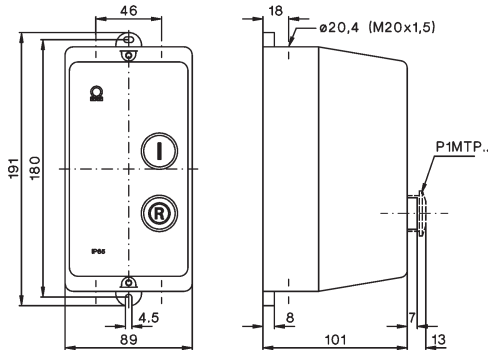


# D.O.L. Starters

## Dimensions

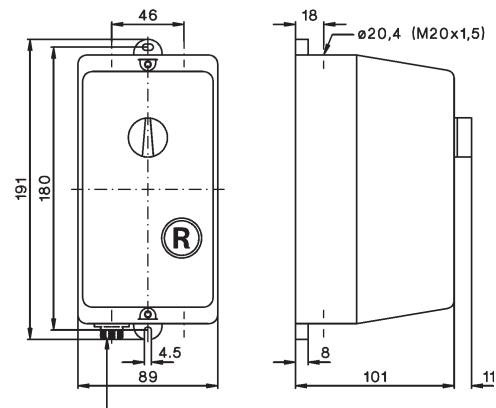
D.O.L. Starters with Start-Stop/Reset Push Buttons, Plastic Enclosed

P1T.., P1TP..



D.O.L. Starters with Selector Switch, Plastic Enclosed

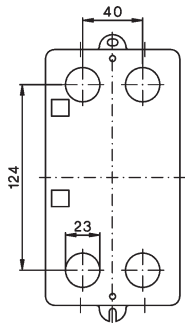
P1W.., P1W18P



P1W18P: plug-in for air tube inside diameter 3mm

## Rear Conduit Entries

knockouts  
4 x  $\varnothing 23$

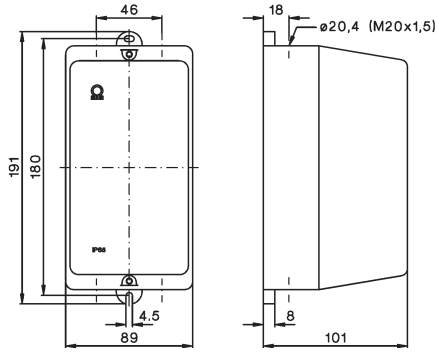


# Enclosures

## Dimensions

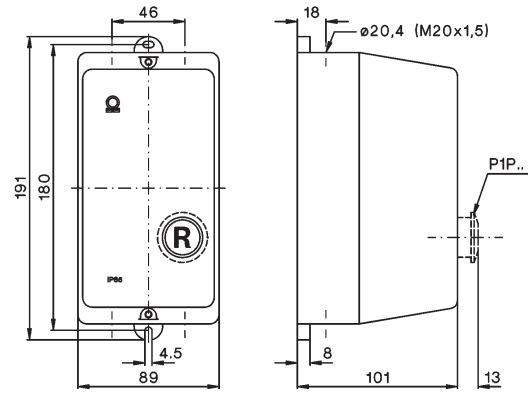
### Enclosures for Contactors

P1



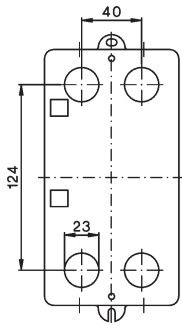
### Enclosures for D.O.L. Starters

P1R, P1P



### Rear Conduit Entries

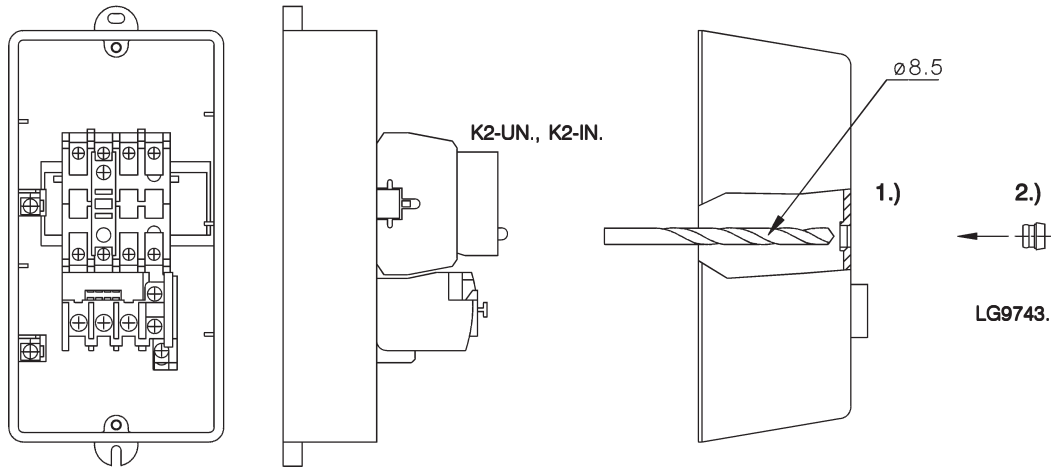
knockouts  
4 x  $\varnothing 23$



# D.O.L. Starters

## Mounting and Wiring Instructions

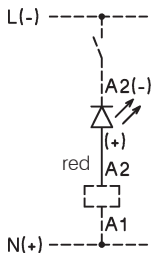
Indicators and Lens Caps for D.O.L. Starters P1



### Wiring Examples

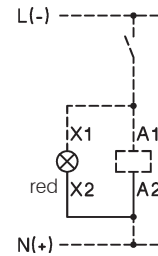
#### Coil Current Indicator

K2-ING  
K2-INR



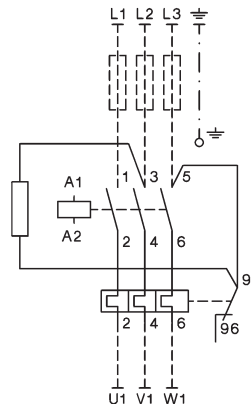
#### Voltage Indicator

K2-UN  
K2-UNR

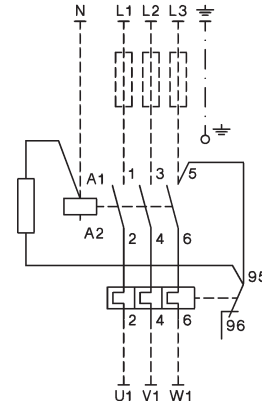


#### Heating Element

K2-HR

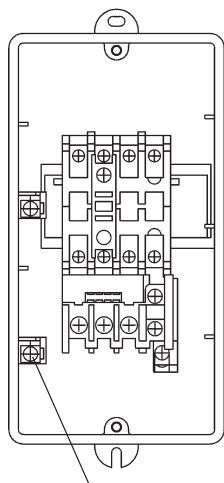


K2-HR 230



Colour mentioned in wiring diagrams refer to the outgoing connection wire of the device.

### Neutral Terminal LG9744



LG9744

### Start Contact LG9319-K3 for K3-10ND10 up to K3-22ND10

