

Shunts 60mV

Shunt 135 x 30 x 23mm



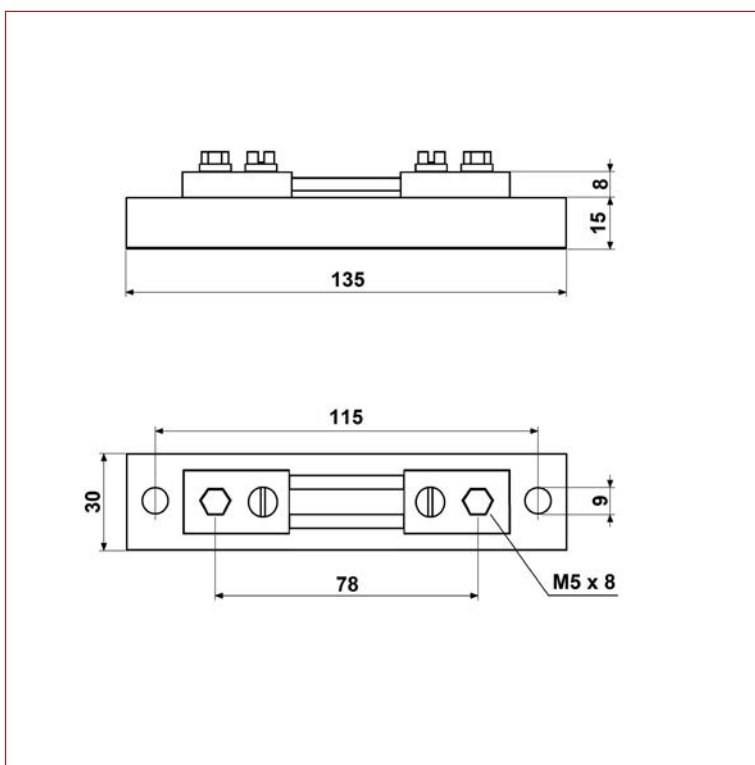
Schrack-Info

- For direct current instruments 60 mV
- Complies with the DIN-standard
- Available up to 25 A on insulated carrier part

MG900105

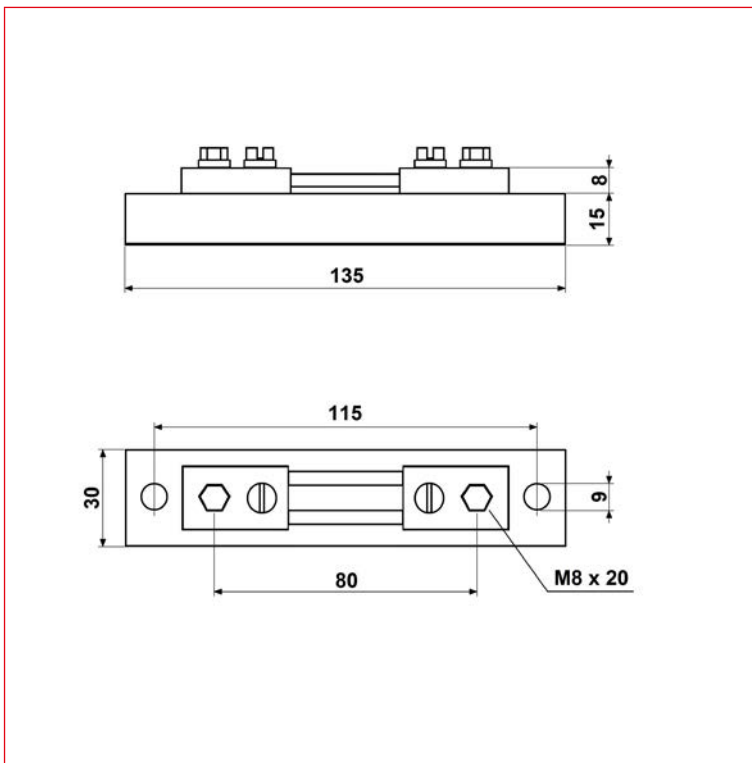
Rated current:	15 -200 A
Measuring voltage:	at $I_n = 60 \text{ mV}$
Accuracy:	Class 0.5
Overload capability:	$1,2 \times I_n$ continuous $10 \times I_n$ 5 s
Ambient temperatures:	-25 °C up to +60 °C
Relative humidity:	$\leq 95\%$



Dimensions MG900105 - MG900107



Shunt 135 x 30 x 23mm

Dimensions MG900109 - MG900114



DESCRIPTION	AVAILABLE	ORDER NO.
15A		MG900105
20A		MG900106
25A		MG900107
40A		MG900109
60A		MG900111
100A		MG900112
150A		MG900113
200A		MG900114

