

Analogue-Voltmeter DC



MGF27060-A

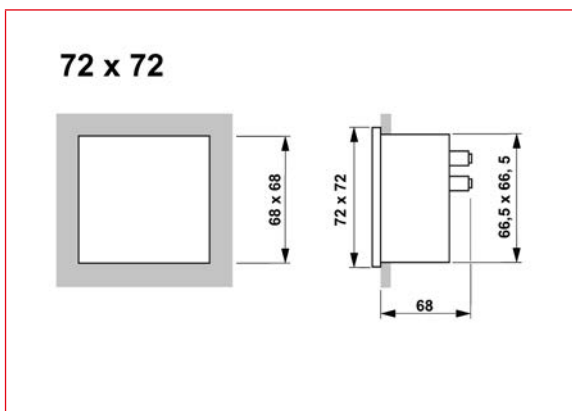
Schrack-Info

- Voltmeter for DC

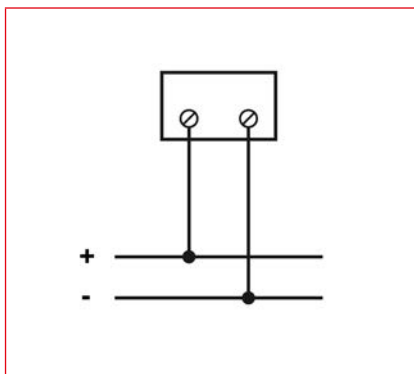
Technical Data

Size:	72 x 72
Measuring range:	15 V, 30 V, 60 V, 300 V
Standards:	EN 60051, IEC 51, VDE 0410
Display:	Analog
Accuracy:	1,5%
Burden:	3 VA
Power supply:	-
Working position:	Instruments to use with the dial vertical
Test voltage:	2kV
Overloads:	1.2 Vn continuous, 2 Vn 5 s
Vibration resistance:	VDE 0410, chapter 27: 2.5 g, ±0.25 mm, 50 Hz
Shock resistance:	VDE 0410, chapter 28: 15 g
Operating temperature:	-25°C up to +40°C
Reference temperature:	+10°C up to +30°C (for accuracy class)
Protection:	IP52, casings
	IP00, terminals





Dimensions



Wiring Diagram



Analogue-Voltmeter DC

DESCRIPTION	AVAILABLE	ORDER NO.
Analogue-Voltmeter DC, 72 x 72		
15V-DC, 72x72		MGF27015-A
30V-DC, 72x72		MGF27030-A
60V-DC, 72x72		MGF27060-A
300V-DC, 72x72		MGF27300-A
Analogue-Voltmeter DC for DIN-Rails		
100V-DC		MG054100
100(120)V-DC / 500(600)V-DC		MG004600-A

