

DATA SHEET:
DISTANCE BOLTS



IG914016-G



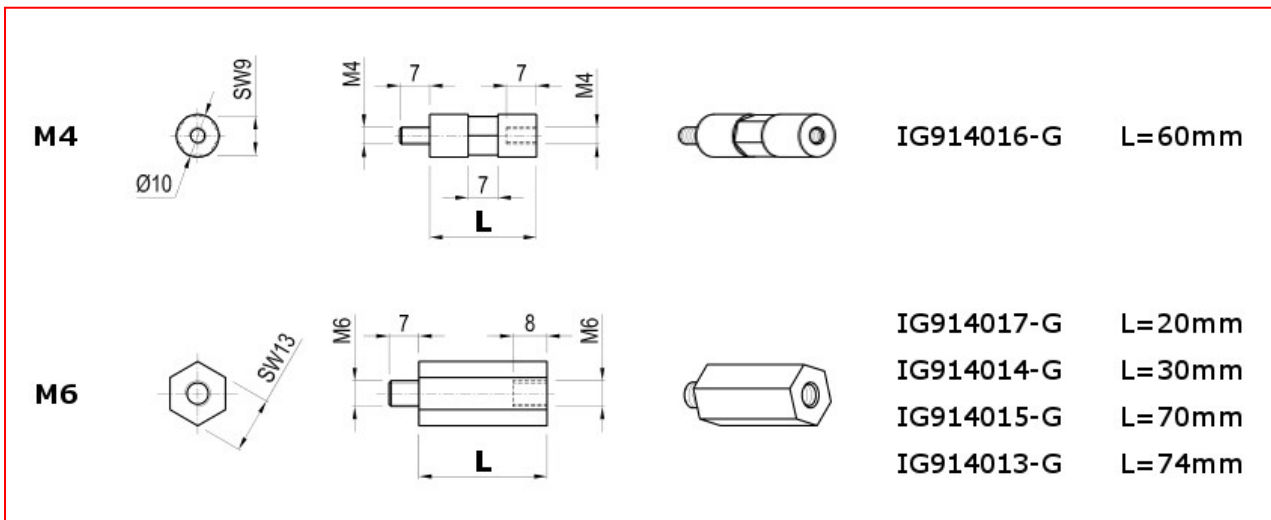
IG914017-G

IG914014-G

SCHRACK-INFO

- Plastic sheath made of grey polystyrene
- External thread bolts made of hot-galvanized steel
- Inner thread socket made of brass

DIMENSIONS



DISTANCE BOLTS

DESCRIPTION	ORDER NO.
Distance bolt 60 mm, M4, internal and external threads round	IG914016-G
Distance bolt 20 mm, M6, internal and external threads hexagon	IG914017-G
Distance bolt 30 mm, M6, internal and external threads hexagon	IG914014-G
Distance bolt 70 mm, M6, internal and external threads hexagon	IG914015-G
Distance bolt 74 mm, M6, internal and external threads hexagon	IG914013-G