

DATA SHEET: LED-ENCLOSURE LAMP IU008523



SCHRACK-INFO

- Wide voltage range
- Integrated power unit
- Daisy chain
- Long-lived and maintenance-free by LED technology
- Magnet fixing
- On/off switch

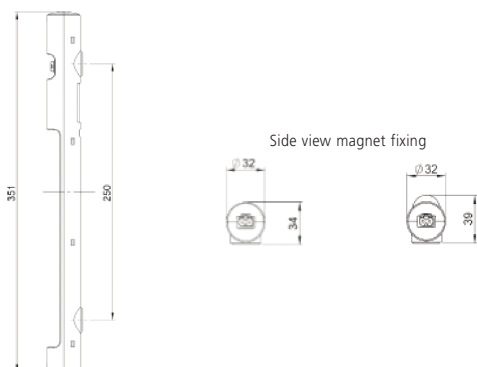
TECHNICAL DATA

Power consumption	max. 5W
Luminosity	290Lm at 120° (870Lm at 360° or equivalent 75W light bulb)
Lamp type	LED, angle of radiation 120° light color: daylight, color temperature: 6,500K
Service life	60,000h at 20°C (68°F)
Connection	2-pole connector with snap lock AC: max. 2.5A / 240VAC, color: white DC: max. 2.5A / 60VDC, color: blue
Mounting	magnet fixing
Casing	plastic, transparent
Dimensions	see drawings
Operating / Storage temperature	-30 to +60°C (-22 to +140°F) / -40 to +85°C (-40 to +185°F)
Operating / Storage humidity	max. 90% RH (non-condensing)
Protection type / Protection class	IP20 / II (double insulated)

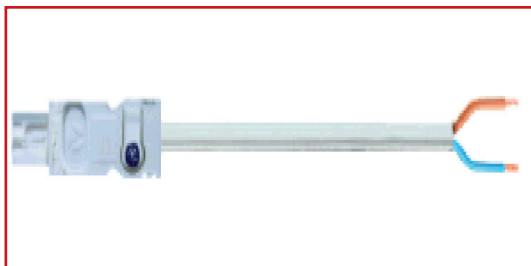
NOTE

Connectors and cables for electrical connection are not included in the delivery.
These parts can be ordered separately, see accessories.

DIMENSIONS

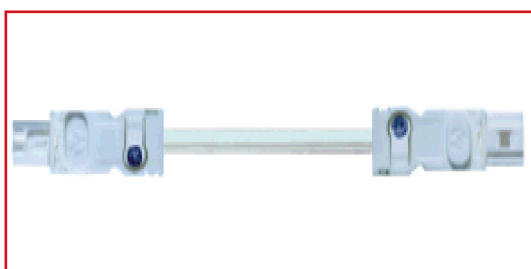


ACCESSORIES



CONNECTION CABLE IU008524

2 x 1,5 mm² with female connector and open end
Length: 2,0 m
Color: connector and cable – white



EXTENSION CABLE IU008525

2 x 1,5 mm² with 2 connectors for daisy chain connection
Length: 1,0 m
Color: connector and cable – white

This illustration shows the LED IU008523 lamp in a daisy chain application. The lamps are conveniently connected via quick connection plugs – up to 10 lamps max. can be daisy-chained this way. The snap lock connectors ensure a stable electrical connection even if subjected to heavy vibration. The connection example shows a 230VAC application, using the following cables: connection cable with female connector, Art. IU008524; daisy chain extension cable with 2 connectors, Art. IU008525.

CONNECTION EXAMPLE

