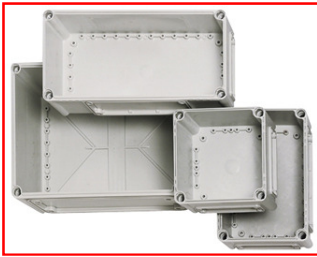


■ DATASHEET: IG700002  
BASE WITH EMBOSSING FLANGES TYPE A

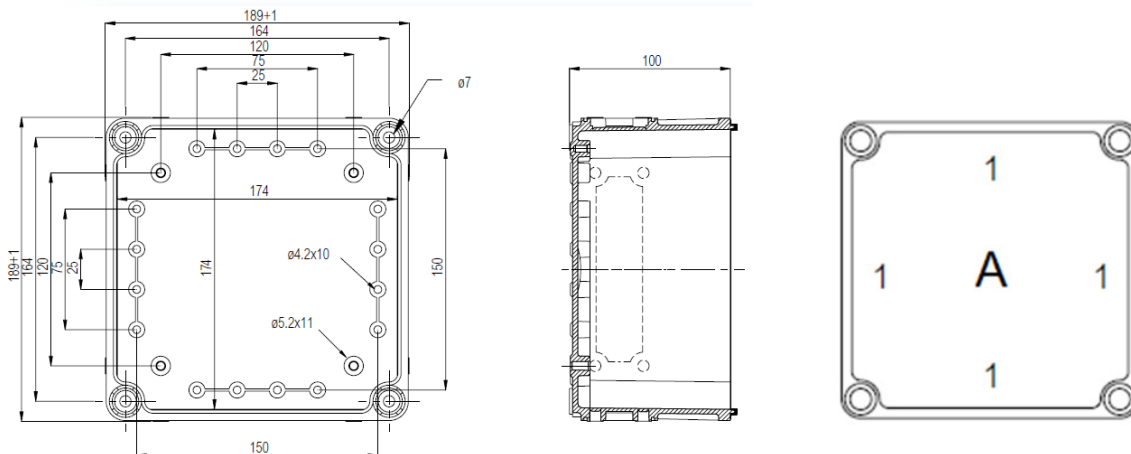


- SCHRACK INFO  
Including: Flanged - Base with screws for mounting plate / DIN - rail, cover with PUR gasket and polyamide cover screws.

■ TECHNICAL DATA

Material:	Polycarbonate
Cover screws material:	Polyamide
Sealing:	Polyurethane
Protection:	IP 66/67
Impact resistance:	IK 08
Electrical insulation:	Totally insulated
Halogen free	Yes
UV resistance:	by UL 508
Temperature range:	-40 °C...120 °C (short-term) -40 °C...80 °C (continuous)
Colour:	RAL 7035

■ DIMENSIONS



■ LOW COVER 30mm

TYPE	B x H x D (mm)	ORDER NUMBER
A – transparent	190x190x30	IG700011
A – grey	190x190x30	IG700001

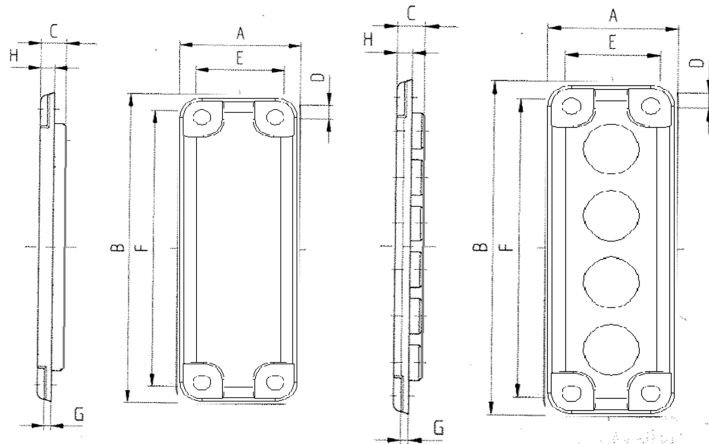
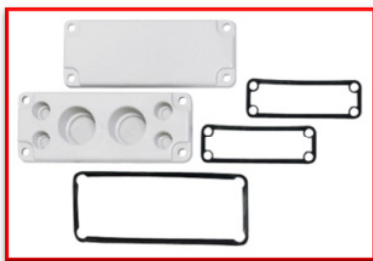
■ HIGH COVER 80mm

TYPE	B x H x D (mm)	ORDER NUMBER
A – transparent	190x190x80	IG700031
A – grey	190x190x80	IG700021

■ MOUNTING PLATE (galvanized steel plate 1.5 mm)

TYPE	B x H (mm)	ORDER NUMBER
A	148x148	IG710002

■ FLANGE



IG712100

IG712102

Art.Nr.	Flange size	Dimensions							
		A	B	C	D	E	F	G	H
IG712100	1	49	140,5	10	7	30	120	5	10
IG712102	1	49	140,5	20	7	30	120	5	10

TYPE	ORDER NUMBER
Size I, blind	IG712100
Size I, 4 x Pg16	IG712102

■ ACCESSORIES

DESCRIPTION	ORDER NUMBER
Quick locking screw set	IG713000
Pin hinges	IG713001
Connection flange sealent, size 2	IG713003
Special hinges	IG713018
Winged head screw 30mm	IG713025
Winged head screw 80mm	IG713026
Screw for Mounting Kit	IG713027
Slot bolt 30mm	IG713028
Slot bolt 80 mm	IG713029