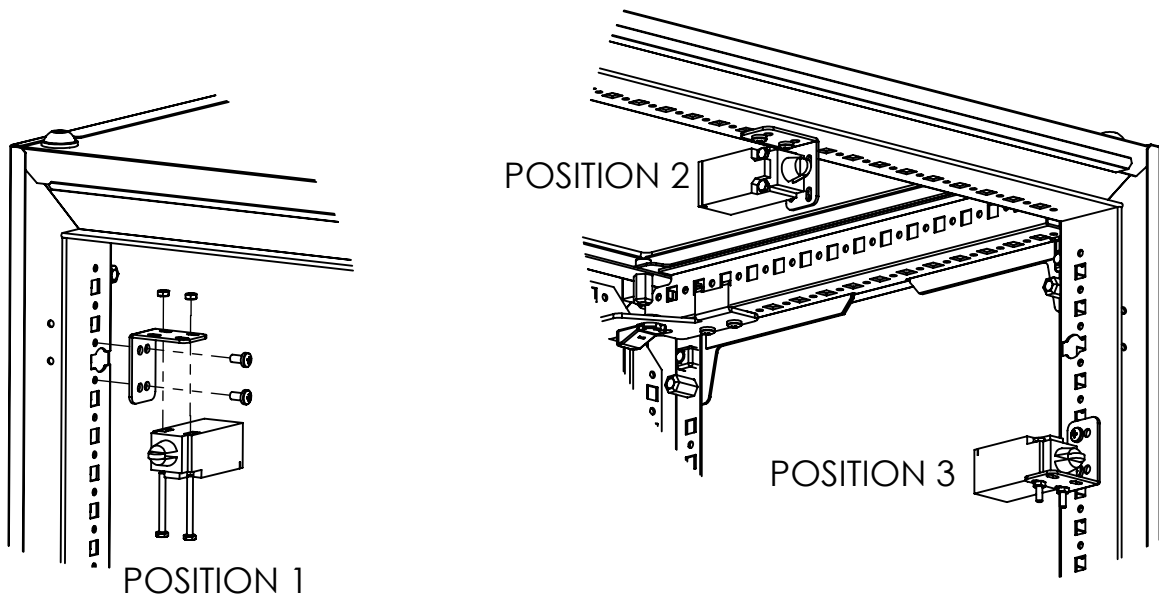
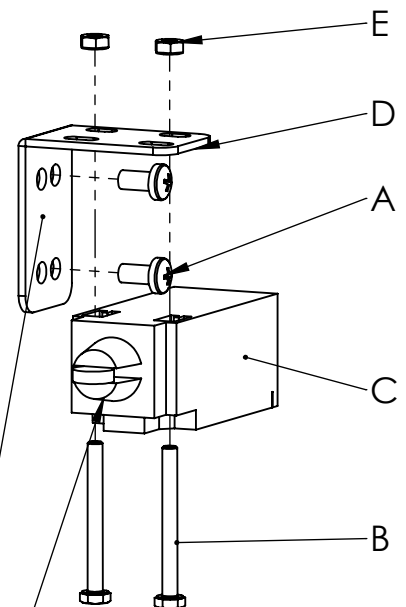


ATDSW000-- LAMP SWITCH BRACKET
ATDSW010-- DOOR LAMP SWITCH



PART LIST

REF.		Pic.	REF.		Pic.
A	M5X10	2	E	M4	2
B	M4X30	2			
C	SWITCH	1			
D	BRACKET	1			



ATDSW000--

ATDSW010--