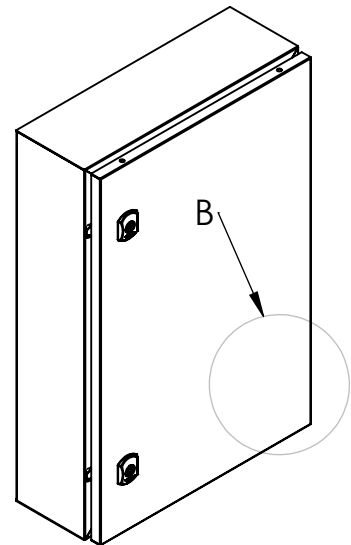
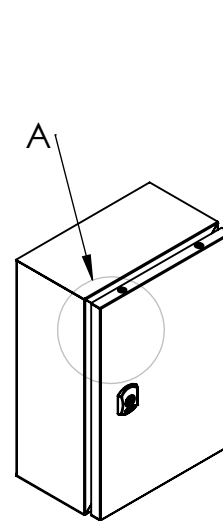
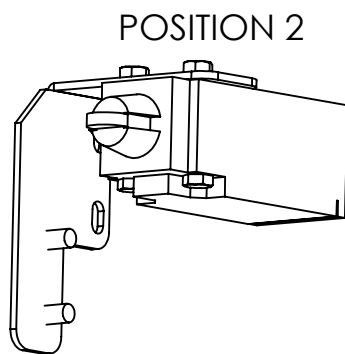
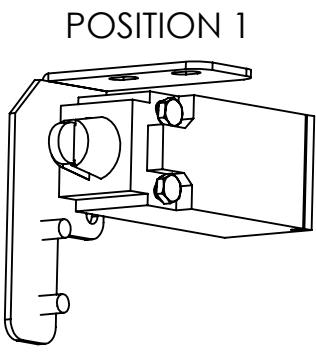
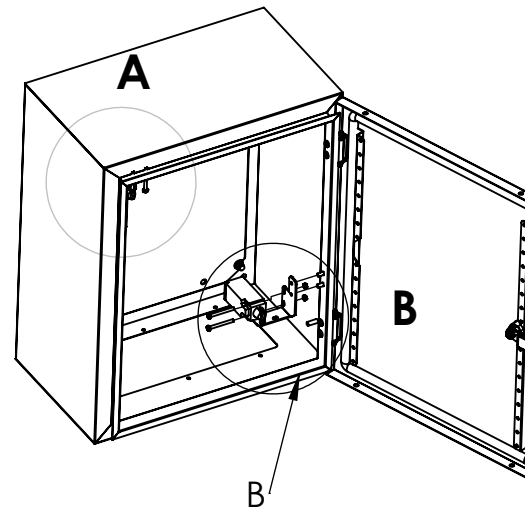
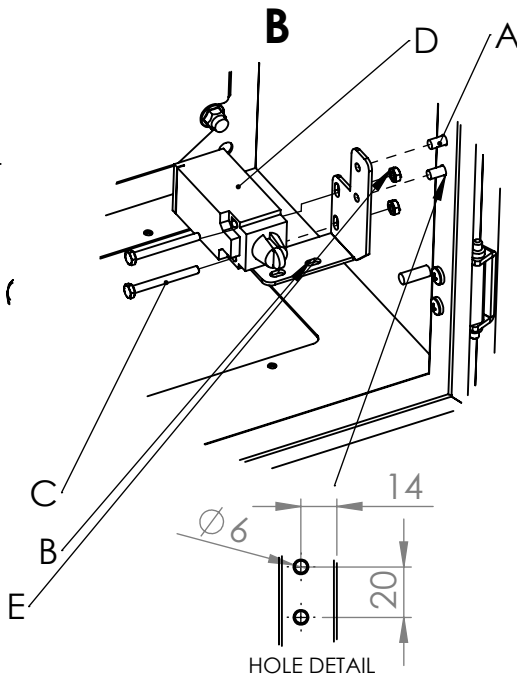
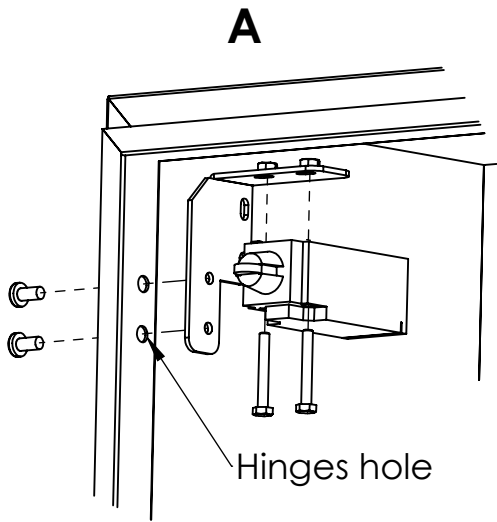
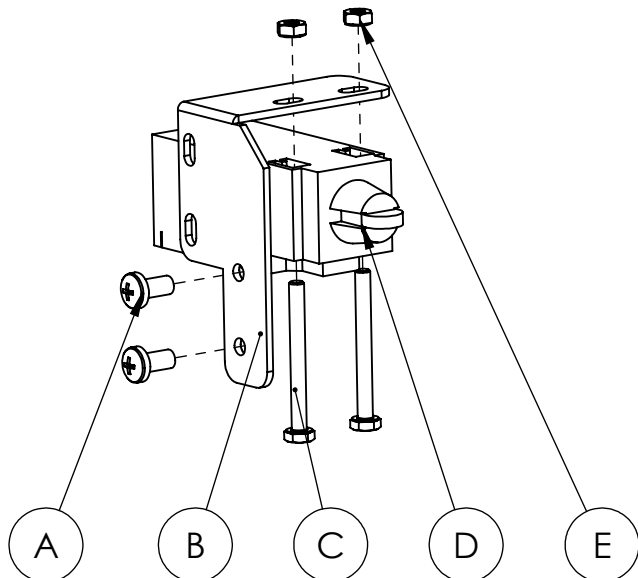


WSTD01--



Detail A for one point lock

Detail B for two points lock



PART LIST

REF.	Pic.	REF.	Pic.		
A	M5x10	2	E	M4	2
B		1			
C	M4x30	2			
D		1			