

Rain Hoods

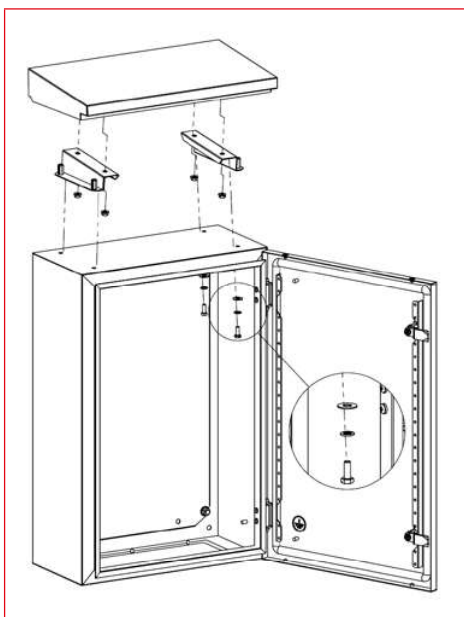




WSTD4021

Schrack-Info

- Rain hoods for installation on outdoor WST enclosures
- Mounting: 4x Ø 7 mm holes are to be made on the upper side of the enclosure
- The rain hoods can be used in combination with the wall-mounting brackets **WSTWB004** (for enclosures up to and including 800 mm height) respectively **WSTWB006** (for enclosures from a height of 1000 mm)
- Material: 1.5 mm powder coated sheet steel
- A corresponding corrosion protection should be considered
- Color: RAL7035 (Light grey)
- PU: 1 piece with mounting material

Rain Hood Installation



DESCRIPTION	AVAILABLE	ORDER NO.
W=250 D=155 mm for WST2525150, WST3025150 and WST3525150		WSTD2515
W=250 D=210 mm for WST3025210		WSTD2521
W=300 D=155 mm for WST3030150 and WST4030150		WSTD3015
W=300 D=210 mm for WST3030210, WST4030210 and WST5030210		WSTD3021
W=400 D=155 mm for WST5040150 and WST6040150		WSTD4015
W=400 D=210 mm for WST4040210, WST5040210, WST6040210 and WST6040211		WSTD4021
W=400 D=260 mm for WST5040260 and WST6040260		WSTD4026
W=400 D=300 mm for WST5040300, WST6040300 and WST8040300		WSTD4030
W=500 D=155 mm for WST6050150		WSTD5015
W=500 D=210 mm for WST4050210, WST5050210, WST6050210 and WST7050210		WSTD5021
W=500 D=260 mm for WST6050260 and WST7050260		WSTD5026
W=500 D=300 mm for WST5050300, WST6050300 and WST6050305		WSTD5030
W=600 D=260 mm for WST8060260 and WST1006260		WSTD6026
W=600 D=300 mm for WST6060300, WST8060300, WST8060305, WST1006300 and WST1206300		WSTD6030
W=600 D=400 mm for WST6060400 and WST8060400		WSTD6040
W=800 D=300 mm for WST6080300, WST6080302, WST8080300, WST1008300 and WST1208300		WSTD8030
W=800 D=400 mm for WST8080400, WST1008400 and WST1208400		WSTD8040
W=1000 D=300 mm for WST1010302, WST1210302 and WST1410302		WSTD1030
W=1200 D=300 mm for WST8012302 and WST1212302		WSTD1230