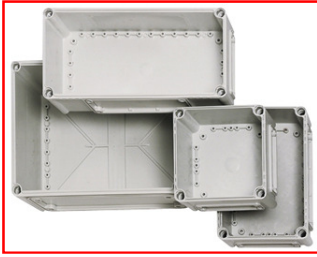


## ■ DATASHEET: IG700802 BASE WITH EMBOSSING FLANGES TYPE E 1

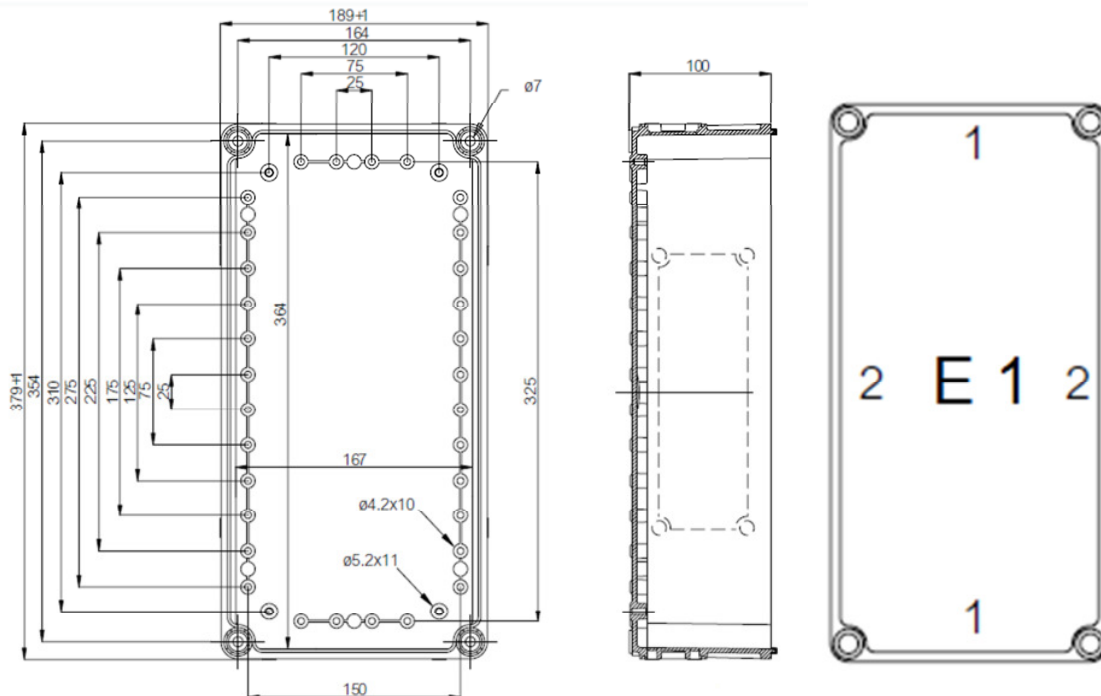


- **SCHRACK INFO**  
Including: Flanged - Base with screws for mounting plate / DIN - rail, cover with PUR gasket and polyamide cover screws.

### ■ TECHNICAL DATA

Material:	Polycarbonate
Cover screws material:	Polyamide
Sealing:	Polyurethane
Protection:	IP 66/67
Impact resistance:	IK 08
Electrical insulation:	Totally insulated
Halogen free	Yes
UV resistance:	by UL 508
Temperature range:	-40°C...120°C (short-term) -40°C...80°C (continuous)
Colour:	RAL 7035

### ■ DIMENSIONS



■ LOW COVER 30mm

TYPE	B x H x D (mm)	ORDER NUMBER
E – transparent	380x190x30	IG700811
E – grey	380x190x30	IG700801

■ HIGH COVER 80mm

TYPE	B x H x D (mm)	ORDER NUMBER
E – transparent	380x190x80	IG700831
E – grey	380x190x80	IG700821

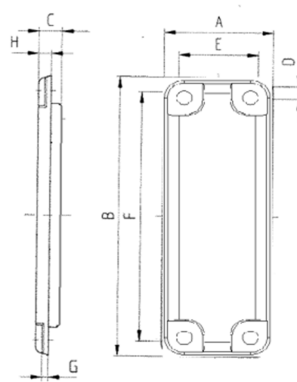
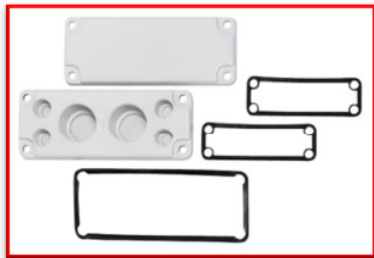
■ EXTENSION

TYPE	B x H x D (mm)	ORDER NUMBER
E	380x190x50	IG710801

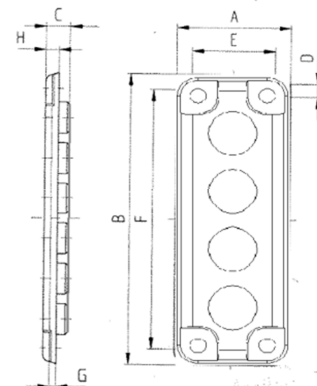
■ MOUNTING PLATE (galvanized steel plate 1.5 mm)

TYPE	B x H (mm)	ORDER NUMBER
E	338x148	IG710802

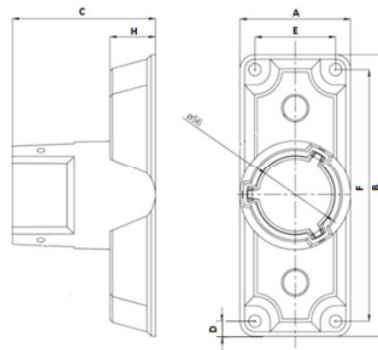
■ FLANGE



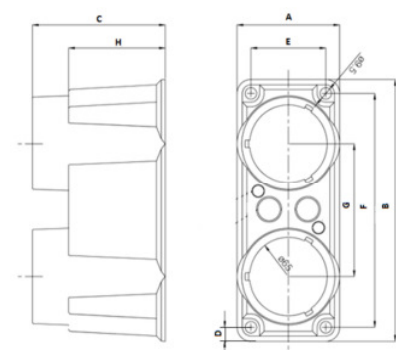
IG712200, IG712100



Size 1+2 various embossings



IG712512



IG712516

Art.Nr.	Flange size	Dimensions							
		A	B	C	D	E	F	G	H
IG712100	1	49	140,5	10	7	30	120	5	10
IG712102	1	49	140,5	20	7	30	120	5	10
IG712200	2	85	216	10	9,5	62	193	5	10
IG712205	2	85	216	20	9,5	62	193	5	10
IG712208	2	85	216	28	9,5	62	193	5	10
IG712210	2	85	216	10	11,5	62	193	-	3
IG712211	2	85	216	10	11,5	62	193	-	3
IG712222	2	85	216	10	9,5	62	193	5	10
IG712223	2	85	216	10	9,5	62	193	5	10
IG712512	2	85	216	110	11,5	62	193	-	35
IG712516	2	85	216	110	11,5	62	193	110	80

DESCRIPTION	ORDERNUMBER
Size I blind	IG712100
Size I 4 x Pg16	IG712102
Size II blind	IG712200
Size II 12 x Pg16	IG712205
Size II 4 x Pg21 + 6 x Pg16	IG712208
Size II 8 x M32/20 + 2 x M40/25	IG712210
Size II 2 x M20 + 5 x M25/16	IG712211
Size II 13 x Pg16	IG712222
Size II 4 x PG11/21 + 7 x PG16	IG712223
Cable gland size II 1 x Ø30-60mm	IG712512
Cable gland size II 2 x Ø30-60mm	IG712516

 ACCESSORIES

DESCRIPTION	ORDERNUMBER
Quick locking screw set	IG713000
Pin hinges	IG713001
Connection flange sealent, size 2	IG713003
Special hinges	IG713018
Winged head screw 30mm	IG713025
Winged head screw 80mm	IG713026
Screw for Mounting Kit	IG713027
Slot bolt 30mm	IG713028
Slot bolt 80 mm	IG713029
Mounting set, 15 machine widths/E1	IG714030