

DATA SHEET:

FLOOR MOUNTED ENCLOSURES KS - SHEET STEEL

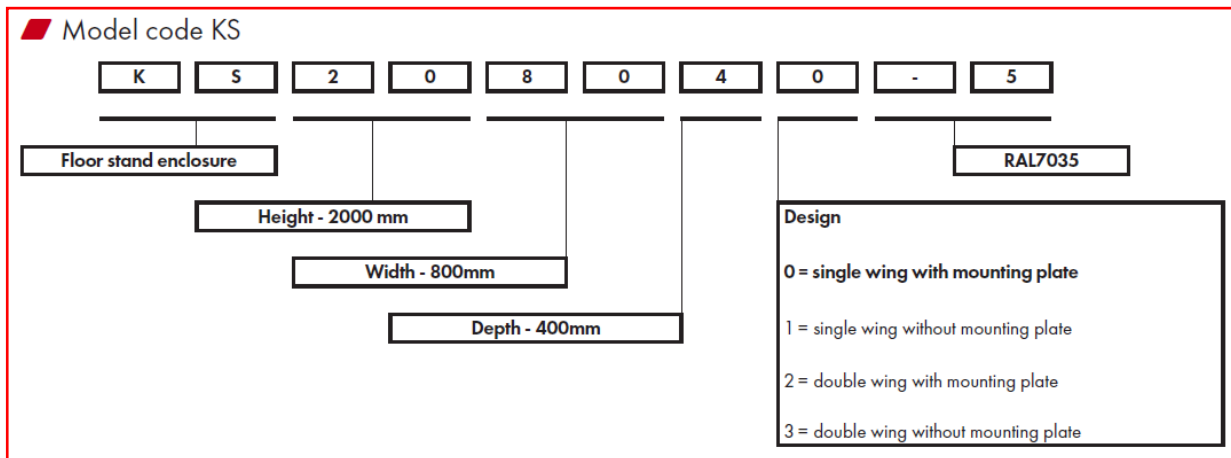


SCHRACK-INFO

- Material: Body, rear and roof panels: 1.35mm steel. Door: 2mm steel. Mounting plate: 2.7mm galvanized steel
- Bottom plates: 1 mm galvanized steel; consists of three parts
- Body: Four times folded and seam-welded frame. Integrated double row hole pattern
- Door: Mounted with hinges allowing left or right hand opening. Including door frame with 25mm hole pattern
- Rear panel: Fitted by M6 torx screws. Standard facilities for rear door mounting
- Roof panel: Removable
- Lock: Espagnolette 4-point locking system with lock cover and 5mm DIN double-bit key lock (DDB).  
The Standard lock can be exchanged for swing handle with profile half-cylinder and other inserts from the accessories.  
The adaptor ASLS2100 is required when converting the swing handle ASLSC501-S from standard insert DDB 5mm to half-cylinder lock. The profile half-cylinder must be according to DIN 18252 (EN 1303) and the cam must be set so, that she triggered from above. The dimension "A" must have a length of 30mm.
- Mounting plate: Double folded. Adjustable in depth by steps of 25mm with the ASMPD002 accessory. Supplied outside of the enclosure packaging (Exception: Pre-mounted on 1600mm wide enclosures)
- Earthing: All panels are earthed through their fittings and are equipped with a separate earthing stud
- Finish: Structure powder coating RAL 7035

**FLOOR MOUNTED ENCLOSURES KS - SHEET STEEL**

- Degree of protection:
  - Single-door: IP66 (complaint with NEMA4x, 12 and 13)
  - Double-door: IP55 (complaint with NEMA12 and 13)
  - To achieve IP66, the gasket set ASBG0001 has to be inserted into the bottom plates
- Impact strength IK10
- Delivery: Body with fitted door, rear panel, roof panel, bottom plates mounting plate and door frame.  
Delivery also includes earthing bolts, delivered on a pallet with width identical with the enclosure



**Selection table single-door**

mm	DEPTH	WIDTH		
		600	800	1000
1400	300	KS146030-5		
	400	KS146040-5		
1600	300		KS168030-5	KS161030-5
	400	KS166040-5	KS168040-5 KS168041-5*	KS161040-5
1800	300		KS188030-5	
	400	KS186040-5	KS188040-5 KS188041-5*	KS181040-5
	500		KS188050-5	
	600		KS188060-5	
2000	300	KS206030-5	KS208030-5	
	400	KS206040-5	KS208040-5 KS208041-5*	KS201040-5
	500		KS208050-5	KS201050-5

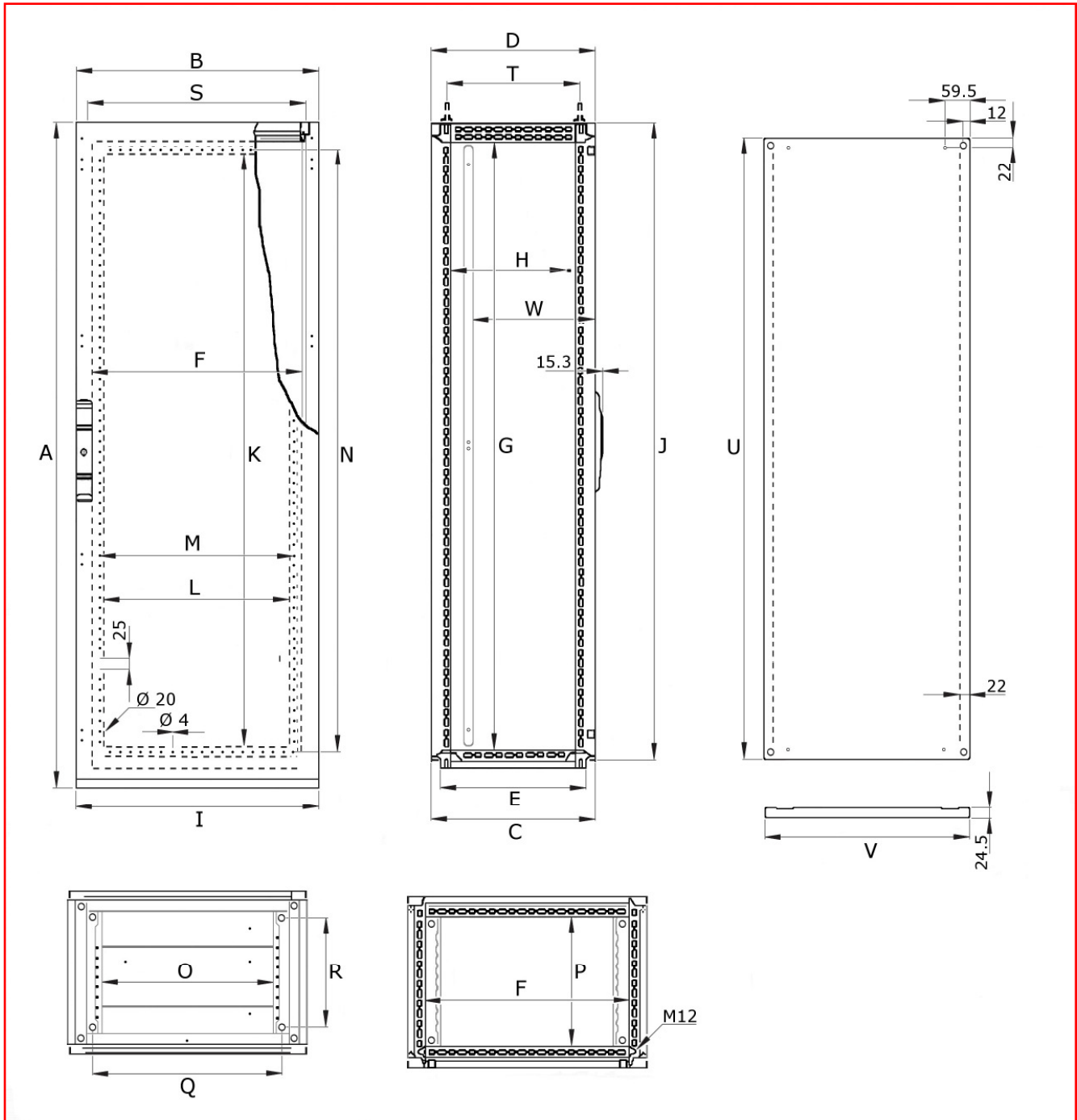
\*without mounting plate

**Selection table double-door**

mm	DEPTH	WIDTH		
		1000	1200	1600
1600	300	KS161032-5		
	400	KS161042-5	KS161242-5	
1800	400	KS181042-5 KS181043-5*	KS181242-5	KS181642-5
	500		KS181252-5	KS181652-5
2000	400	KS201042-5 KS201043-5*	KS201242-5 KS201243-5*	KS201642-5
	500	KS201052-5	KS201252-5	KS201652-5
	600			KS201662-5

\*without mounting plate

■ FLOOR MOUNTED ENCLOSURES KS - SHEET STEEL



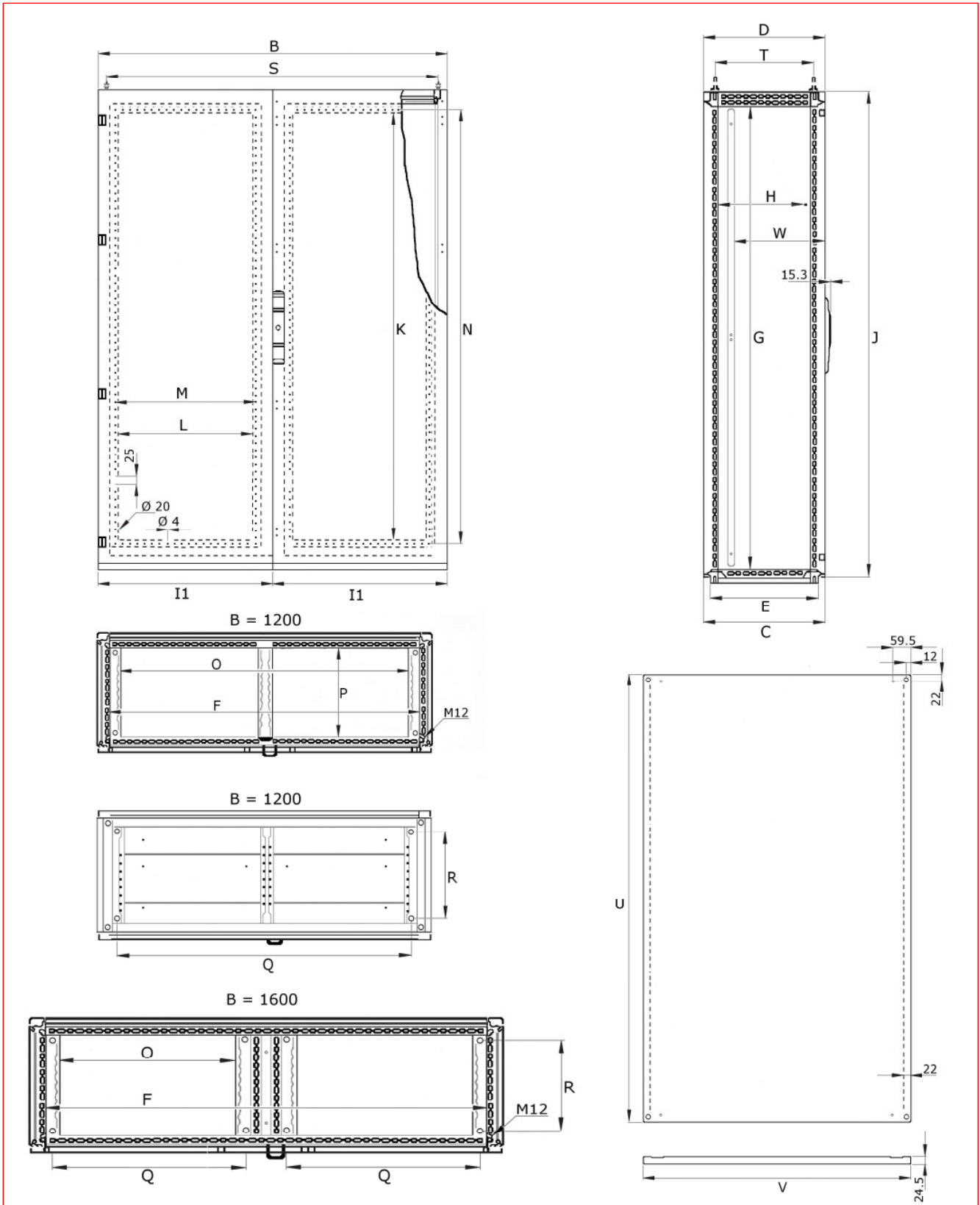
**FLOOR MOUNTED ENCLOSURES KS - SHEET STEEL**

Article number	A [mm]	B [mm]	C [mm]	D [mm]	E [mm]	F [mm]	G [mm]	H [mm]	I [mm]	J [mm]	K [mm]	L [mm]	Radiant power loss [W]*
<b>with mounting plate</b>													
KS146030-5	1400	600	300	312	263	510	1310	210	593	1382	1230	455	-388
KS146040-5	1400	600	400	412	363	510	1310	310	593	1382	1230	455	-442
KS166040-5	1600	600	400	412	363	510	1510	310	593	1582	1430	455	-545
KS168030-5	1600	800	300	312	263	710	1510	210	793	1582	1430	655	-539
KS168040-5	1600	800	400	412	363	710	1510	310	793	1582	1430	655	-653
KS161030-5	1600	1000	300	312	263	910	1510	210	993	1582	1430	855	-641
KS161040-5	1600	1000	400	412	363	910	1510	310	993	1582	1430	855	-761
KS186040-5	1800	600	400	412	363	510	1710	310	593	1782	1630	455	-605
KS188030-5	1800	800	300	312	263	710	1710	210	793	1782	1630	655	-598
KS188040-5	1800	800	400	412	363	710	1710	310	793	1782	1630	655	-724
KS188050-5	1800	800	500	512	463	710	1710	410	793	1782	1630	655	-738
KS188060-5	1800	800	600	612	563	710	1710	510	793	1782	1630	655	-808
KS181040-5	1800	1000	400	412	363	910	1710	310	993	1782	1630	855	-842
KS206030-5	2000	600	300	312	263	510	1910	210	593	1982	1830	455	-534
KS206040-5	2000	600	400	412	363	510	1910	310	593	1982	1830	455	-665
KS208030-5	2000	800	300	312	263	710	1910	210	793	1982	1830	655	-658
KS208040-5	2000	800	400	412	363	710	1910	310	793	1982	1830	655	-795
KS208050-5	2000	800	500	512	463	710	1910	410	793	1982	1830	655	-886
KS201040-5	2000	1000	400	412	363	910	1910	310	993	1982	1830	855	-924
KS201050-5	2000	1000	500	512	463	910	1910	410	993	1982	1830	855	-1020
<b>without mounting plate</b>													
KS168041-5	1600	800	400	412	363	710	1510	310	793	1582	1430	655	-653
KS188041-5	1800	800	400	412	363	710	1710	310	793	1782	1630	655	-724
KS208041-5	2000	800	400	412	363	710	1910	310	793	1982	1830	655	-795

Article number	M [mm]	N [mm]	O [mm]	P [mm]	Q [mm]	R [mm]	S [mm]	T [mm]	U [mm]	V [mm]	W max. [mm]	Weight [kg]
<b>with mounting plate</b>												
KS146030-5	475	1250	432	210	475	175	531	231	1294	494	259	80,0
KS146040-5	475	1250	432	310	475	275	531	331	1294	494	359	87,0
KS166040-5	475	1450	432	310	475	275	531	331	1494	494	359	92,0
KS168030-5	675	1450	632	210	675	175	731	231	1494	694	259	105,0
KS168040-5	675	1450	632	310	675	275	731	331	1494	694	359	113,0
KS161030-5	875	1450	832	210	875	175	931	231	1494	894	259	123,0
KS161040-5	875	1450	832	310	875	275	931	331	1494	894	359	131,0
KS186040-5	475	1650	432	310	475	275	531	331	1694	494	359	100,0
KS188030-5	675	1650	632	210	675	175	731	231	1694	694	259	108,0
KS188040-5	675	1650	632	310	675	275	731	331	1694	694	359	123,0
KS188050-5	675	1650	632	410	675	375	731	431	1694	694	459	129,0
KS188060-5	675	1650	632	510	675	475	731	531	1694	694	559	138,0
KS181040-5	875	1650	832	310	875	275	931	331	1694	894	359	142,0
KS206030-5	475	1850	432	210	475	175	531	231	1894	494	259	103,0
KS206040-5	475	1850	432	310	475	275	531	331	1894	494	359	111,0
KS208030-5	675	1850	632	210	675	175	731	231	1894	694	259	124,0
KS208040-5	675	1850	632	310	675	275	731	331	1894	694	359	133,0
KS208050-5	675	1850	632	410	675	375	731	431	1894	694	459	139,0
KS201040-5	875	1850	832	310	875	275	931	331	1894	894	359	158,0
KS201050-5	875	1850	832	410	875	375	931	431	1894	894	459	166,0
<b>without mounting plate</b>												
KS168041-5	675	1450	632	310	675	275	731	331	-	-	359	87,0
KS188041-5	675	1650	632	310	675	275	731	331	-	-	359	98,0
KS208041-5	675	1850	632	310	675	275	731	331	-	-	359	111,0

\* max. radiated power of housing calculated as a wall mounted single fixed with  $\Delta T = 35K$ .

**FLOOR MOUNTED ENCLOSURES KS - SHEET STEEL**



**FLOOR MOUNTED ENCLOSURES KS - SHEET STEEL**

Article number	A [mm]	B [mm]	C [mm]	D [mm]	E [mm]	F [mm]	G [mm]	H [mm]	I1 [mm]	I2 [mm]	J [mm]	K [mm]	L [mm]	M [mm]
<b>with mounting plate</b>														
KS161032-5	1600	1000	300	312	263	910	1510	210	491	498	1582	1430	355	375
KS161042-5	1600	1000	400	412	363	910	1510	310	491	498	1582	1430	355	375
KS161242-5	1600	1200	400	412	363	1110	1510	310	591	598	1582	1430	455	475
KS181042-5	1800	1000	400	412	363	910	1710	310	491	498	1782	1630	355	375
KS181242-5	1800	1200	400	412	363	1110	1710	310	591	598	1782	1630	455	475
KS181252-5	1800	1200	500	512	463	1110	1710	410	591	598	1782	1630	455	475
KS181642-5	1800	1600	400	412	363	1510	1710	310	791	798	1782	1630	655	675
KS181652-5	1800	1600	500	512	463	1510	1710	410	791	798	1782	1630	655	675
KS201042-5	2000	1000	400	412	363	910	1910	310	491	498	1982	1830	355	375
KS201052-5	2000	1000	500	512	463	910	1910	410	491	498	1982	1830	355	375
KS201242-5	2000	1200	400	412	363	1110	1910	310	591	598	1982	1830	455	475
KS201252-5	2000	1200	500	512	463	1110	1910	410	591	598	1982	1830	455	475
KS201642-5	2000	1600	400	412	363	1510	1910	310	791	798	1982	1830	655	675
KS201652-5	2000	1600	500	512	463	1510	1910	410	791	798	1982	1830	655	675
KS201662-5	2000	1600	600	612	563	1510	1910	510	791	798	1982	1830	655	675
<b>without mounting plate</b>														
KS181043-5	1800	1000	400	412	363	910	1710	310	491	498	1782	1630	355	375
KS201043-5	2000	1000	400	412	363	910	1910	310	491	498	1982	1830	355	375
KS201243-5	2000	1200	400	412	363	1110	1910	310	591	598	1982	1830	455	475

Article number	N [mm]	O [mm]	P [mm]	Q [mm]	R [mm]	S [mm]	T [mm]	U [mm]	V [mm]	W max. [mm]	Weight [kg]	Radiant power loss [W]*
<b>with mounting plate</b>												
KS161032-5	1450	832	210	875	175	931	231	1494	894	259	138,0	-642
KS161042-5	1450	832	310	875	275	931	331	1494	894	359	150,0	-712
KS161242-5	1450	1032	310	1075	275	1131	331	1494	1094	359	163,0	-869
KS181042-5	1650	832	310	875	275	931	331	1694	894	359	168,0	-787
KS181242-5	1650	1032	310	1075	275	1131	331	1694	1094	359	175,0	-961
KS181252-5	1650	1032	410	1075	375	1131	431	1694	1094	459	185,0	-986
KS181642-5	1650	1432	310	1475	275	1531	331	1694	1494	359	222,0	-1198
KS181652-5	1650	1432	410	1475	375	1531	431	1694	1494	459	230,0	-1234
KS201042-5	1850	832	310	875	275	931	331	1894	894	359	182,0	-862
KS201052-5	1850	832	410	875	375	931	431	1894	894	459	192,0	-943
KS201242-5	1850	1032	310	1075	275	1131	331	1894	1094	359	195,0	-1056
KS201252-5	1850	1032	410	1075	375	1131	431	1894	1094	459	205,0	-1078
KS201642-5	1850	1432	310	1475	275	1531	331	1894	1494	359	242,0	-1312
KS201652-5	1850	1432	410	1475	375	1531	431	1894	1494	459	251,0	-1425
KS201662-5	1850	1432	510	1475	475	1531	531	1894	1494	559	270,0	-1445
<b>without mounting plate</b>												
KS181043-5	1650	832	310	875	275	931	331	-	-	359	134,0	-787
KS201043-5	1850	832	310	875	275	931	331	-	-	359	141,0	-862
KS201243-5	1850	1032	310	1075	275	1131	331	-	-	359	145,0	-1054

\* max. radiated power of housing calculated as a wall mounted single fixed with  $\Delta T = 35K$ .

**FLOOR MOUNTED ENCLOSURES KS - SHEET STEEL**

DESCRIPTION	ORDER NO.
<b>Single door with mounting plate, RAL 7035 (HxWxD)</b>	
1400x600x300mm	KS146030-5
1400x600x400mm	<b>KS146040-5</b>
1600x600x400mm	<b>KS166040-5</b>
1600x800x300mm	<b>KS168030-5</b>
1600x800x400mm	<b>KS168040-5</b>
1600x1000x300mm	<b>KS161030-5</b>
1600x1000x400mm	<b>KS161040-5</b>
1800x600x400mm	<b>KS186040-5</b>
1800x800x300mm	<b>KS188030-5</b>
1800x800x400mm	<b>KS188040-5</b>

**FLOOR MOUNTED ENCLOSURES KS - SHEET STEEL**

DESCRIPTION	ORDER NO.
<b>Single door with mounting plate, RAL 7035 (HxWxD)</b>	
1800x800x500mm	KS188050-5
1800x800x600mm	KS188060-5
1800x1000x400mm	<b>KS181040-5</b>
2000x600x300mm	<b>KS206030-5</b>
2000x600x400mm	<b>KS206040-5</b>
2000x800x300mm	<b>KS208030-5</b>
2000x800x400mm	<b>KS208040-5</b>
2000x800x500mm	<b>KS208050-5</b>
2000x1000x400mm	<b>KS201040-5</b>
2000x1000x500mm	KS201050-5
<b>Single door without mounting plate, RAL 7035 (HxWxD)</b>	
1600x800x400mm	KS168041-5
1800x800x400mm	KS188041-5
2000x800x400mm	<b>KS208041-5</b>
<b>Double door with mounting plate, RAL 7035 (HxWxD)</b>	
1600x1000x300mm	KS161032-5
1600x1000x400mm	KS161042-5
1600x1200x400mm	<b>KS161242-5</b>
1800x1000x400mm	<b>KS181042-5</b>
1800x1200x400mm	<b>KS181242-5</b>
1800x1200x500mm	KS181252-5
1800x1600x400mm	<b>KS181642-5</b>
1800x1600x500mm	KS181652-5
2000x1000x400mm	<b>KS201042-5</b>
2000x1000x500mm	KS201052-5
2000x1200x400mm	<b>KS201242-5</b>
2000x1200x500mm	<b>KS201252-5</b>
2000x1600x400mm	<b>KS201642-5</b>
2000x1600x500mm	<b>KS201652-5</b>
2000x1600x600mm	KS201662-5
<b>Double door without mounting plate RAL 7035 (HxWxD)</b>	
1800x1000x400mm	KS181043-5
2000x1000x400mm	<b>KS201043-5</b>
2000x1200x400mm	KS201243-5