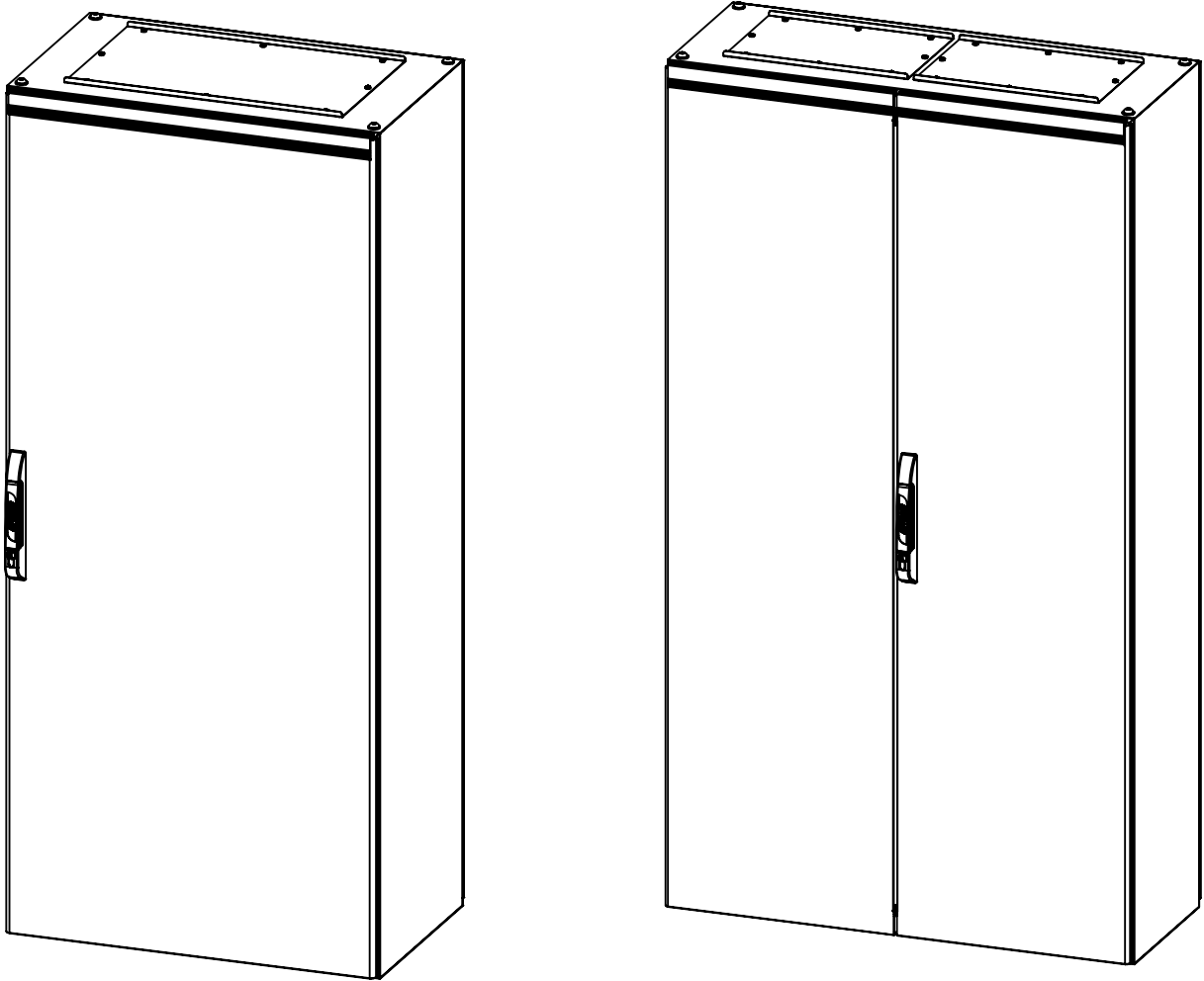
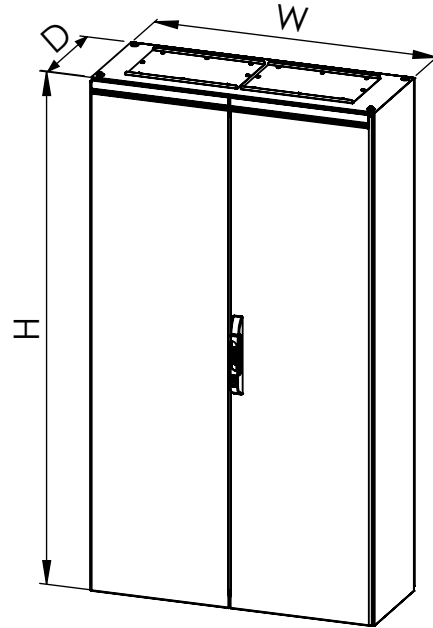
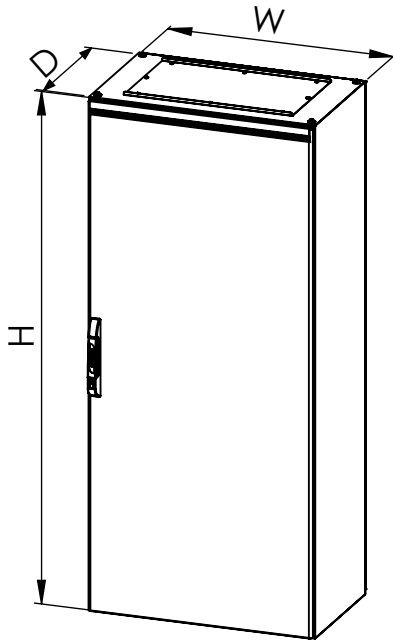


KT SERIES USER MANUAL



Note: This manual supply with each enclosure.

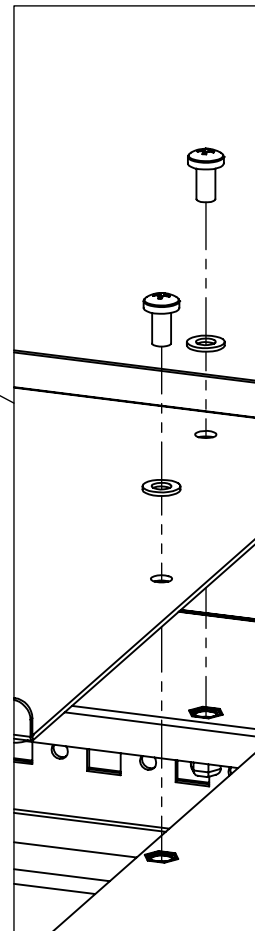
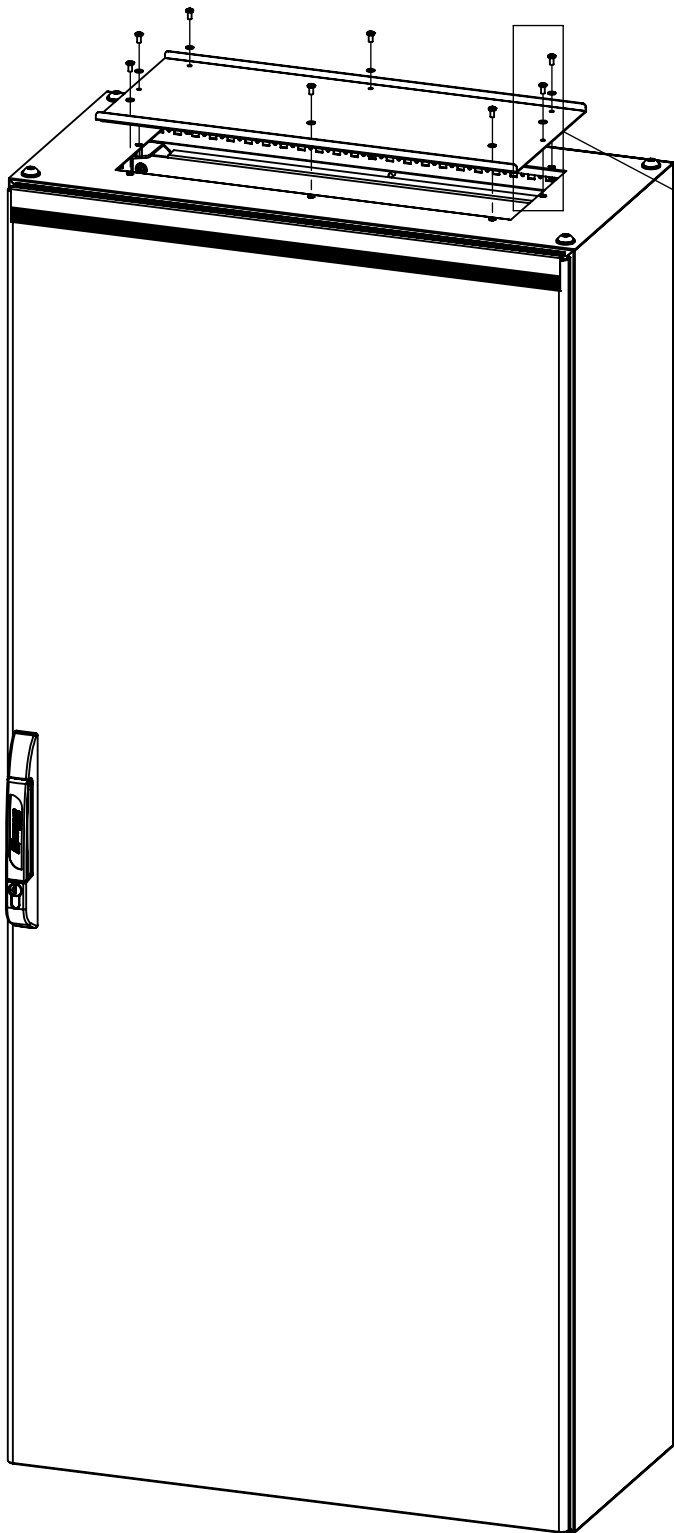
KT SERIES

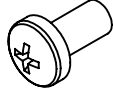



SCHRACK KT Series														
ITEM	Schrack Ref.No:	PRODUCT INFORMATION							OPTIONAL INFORMATION					
		ENCLOSURE DIMENSIONS H x W x D (mm)			MOUNTING PLATE DIMENSIONS H x W (mm)				DOOR	PLINTH H x W x D (mm)				EYEBOLT KIT
		HEIGHT (mm)	WIDTH (mm)	DEPTH (mm)	INC.-W/O	HEIGHT (mm)	WIDTH (mm)	DOOR TYPE		PLINTH CORNER H(100)	PLINTH CORNER H(200)	PLINTH FRONT COVER (H100) (W)	PLINTH SIDE COVER (H100) (D)	
1	KT146030--	1400	600	300	Inc.	1288	488	Single	ASSOC104--	ASSOC204--	ATSOB061--	ATSOT031--	ATLE9301--	
2	KT146040--	1400	600	400	Inc.	1288	488	Single	ASSOC104--	ASSOC204--	ATSOB061--	ATSOT041--	ATLE9301--	
3	KT166040--	1600	600	400	Inc.	1488	488	Single	ASSOC104--	ASSOC204--	ATSOB061--	ATSOT041--	ATLE9301--	
4	KT168030--	1600	800	300	Inc.	1488	688	Single	ASSOC104--	ASSOC204--	ATSOB081--	ATSOT031--	ATLE9301--	
5	KT168040--	1600	800	400	Inc.	1488	688	Single	ASSOC104--	ASSOC204--	ATSOB081--	ATSOT041--	ATLE9301--	
6	KT161030--	1600	1000	300	Inc.	1488	888	Single	ASSOC104--	ASSOC204--	ATSOB101--	ATSOT031--	ATLE9301--	
7	KT161032--	1600	1000	300	Inc.	1488	888	Double	ASSOC104--	ASSOC204--	ATSOB101--	ATSOT031--	ATLE9301--	
8	KT161040--	1600	1000	400	Inc.	1488	888	Single	ASSOC104--	ASSOC204--	ATSOB101--	ATSOT041--	ATLE9301--	
9	KT161242--	1600	1200	400	Inc.	1488	1088	Double	ASSOC104--	ASSOC204--	ATSOB121--	ATSOT041--	ATLE9301--	
10	KT186040--	1800	600	400	Inc.	1688	488	Single	ASSOC104--	ASSOC204--	ATSOB061--	ATSOT041--	ATLE9301--	
11	KT188030--	1800	800	300	Inc.	1688	688	Single	ASSOC104--	ASSOC204--	ATSOB081--	ATSOT031--	ATLE9301--	
12	KT188040--	1800	800	400	Inc.	1688	688	Single	ASSOC104--	ASSOC204--	ATSOB081--	ATSOT041--	ATLE9301--	
13	KT188041--	1800	800	400	W/O	1688	688	Single	ASSOC104--	ASSOC204--	ATSOB081--	ATSOT041--	ATLE9301--	
14	KT188050--	1800	800	500	Inc.	1688	688	Single	ASSOC104--	ASSOC204--	ATSOB081--	ATSOT051--	ATLE9301--	
15	KT181040--	1800	1000	400	Inc.	1688	888	Single	ASSOC104--	ASSOC204--	ATSOB101--	ATSOT041--	ATLE9301--	
16	KT181042--	1800	1000	400	Inc.	1688	888	Double	ASSOC104--	ASSOC204--	ATSOB101--	ATSOT041--	ATLE9301--	
17	KT181043--	1800	1000	400	W/O	1688	888	Double	ASSOC104--	ASSOC204--	ATSOB101--	ATSOT041--	ATLE9301--	
18	KT181242--	1800	1200	400	Inc.	1688	1088	Double	ASSOC104--	ASSOC204--	ATSOB121--	ATSOT041--	ATLE9301--	
19	KT181642--	1800	1600	400	Inc.	1688	1488	Double	ASSOC104--	ASSOC204--	ATSOB161--	ATSOT041--	ATLE9301--	
20	KT206030--	2000	600	300	Inc.	1888	488	Single	ASSOC104--	ASSOC204--	ATSOB061--	ATSOT031--	ATLE9301--	
21	KT206040--	2000	600	400	Inc.	1888	488	Single	ASSOC104--	ASSOC204--	ATSOB061--	ATSOT041--	ATLE9301--	
22	KT208030--	2000	800	300	Inc.	1888	688	Single	ASSOC104--	ASSOC204--	ATSOB081--	ATSOT031--	ATLE9301--	
23	KT208040--	2000	800	400	Inc.	1888	688	Single	ASSOC104--	ASSOC204--	ATSOB081--	ATSOT041--	ATLE9301--	
24	KT208041--	2000	800	400	W/O	1888	688	Single	ASSOC104--	ASSOC204--	ATSOB081--	ATSOT041--	ATLE9301--	
25	KT208050--	2000	800	500	Inc.	1888	688	Single	ASSOC104--	ASSOC204--	ATSOB081--	ATSOT051--	ATLE9301--	
26	KT201040--	2000	1000	400	Inc.	1888	888	Single	ASSOC104--	ASSOC204--	ATSOB101--	ATSOT041--	ATLE9301--	
27	KT201042--	2000	1000	400	Inc.	1888	888	Double	ASSOC104--	ASSOC204--	ATSOB101--	ATSOT041--	ATLE9301--	
28	KT201043--	2000	1000	400	W/O	1888	888	Double	ASSOC104--	ASSOC204--	ATSOB101--	ATSOT041--	ATLE9301--	
29	KT201050--	2000	1000	500	Inc.	1888	888	Single	ASSOC104--	ASSOC204--	ATSOB101--	ATSOT051--	ATLE9301--	
30	KT201052--	2000	1000	500	Inc.	1888	888	Double	ASSOC104--	ASSOC204--	ATSOB101--	ATSOT051--	ATLE9301--	
31	KT201242--	2000	1200	400	Inc.	1888	1088	Double	ASSOC104--	ASSOC204--	ATSOB121--	ATSOT041--	ATLE9301--	
32	KT201243--	2000	1200	400	W/O	1888	1088	Double	ASSOC104--	ASSOC204--	ATSOB121--	ATSOT041--	ATLE9301--	
33	KT201252--	2000	1200	500	Inc.	1888	1088	Double	ASSOC104--	ASSOC204--	ATSOB121--	ATSOT051--	ATLE9301--	
34	KT201642--	2000	1600	400	Inc.	1888	1488	Double	ASSOC104--	ASSOC204--	ATSOB161--	ATSOT041--	ATLE9301--	
35	KT201652--	2000	1600	500	Inc.	1888	1488	Double	ASSOC104--	ASSOC204--	ATSOB161--	ATSOT051--	ATLE9301--	
PART	TOP	REAR	SIDE	MOUNTING PLATE				DOOR	PLINTH				EYEBOLT	
PAGE	3	4	6	7				14	16				17	

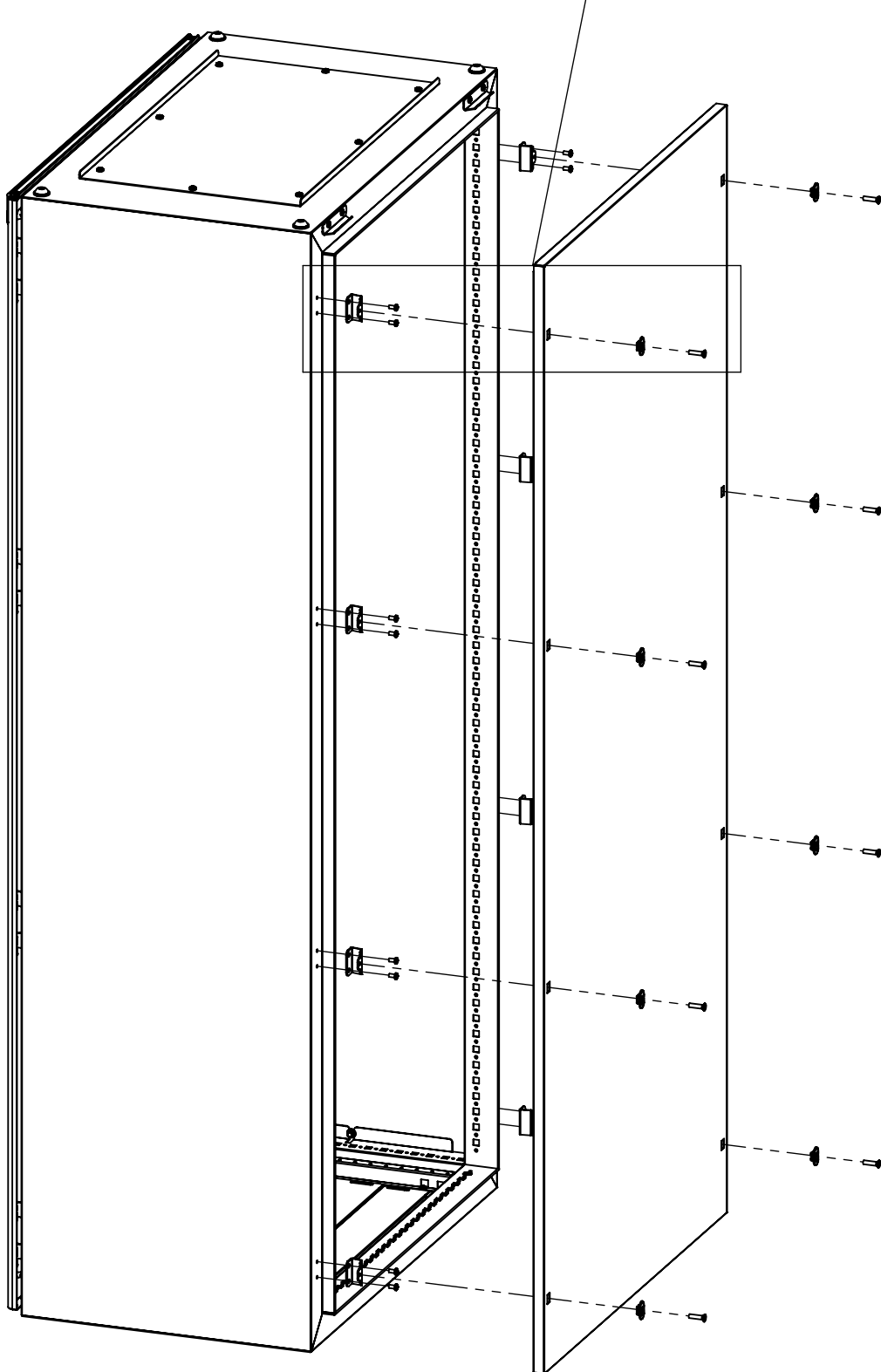
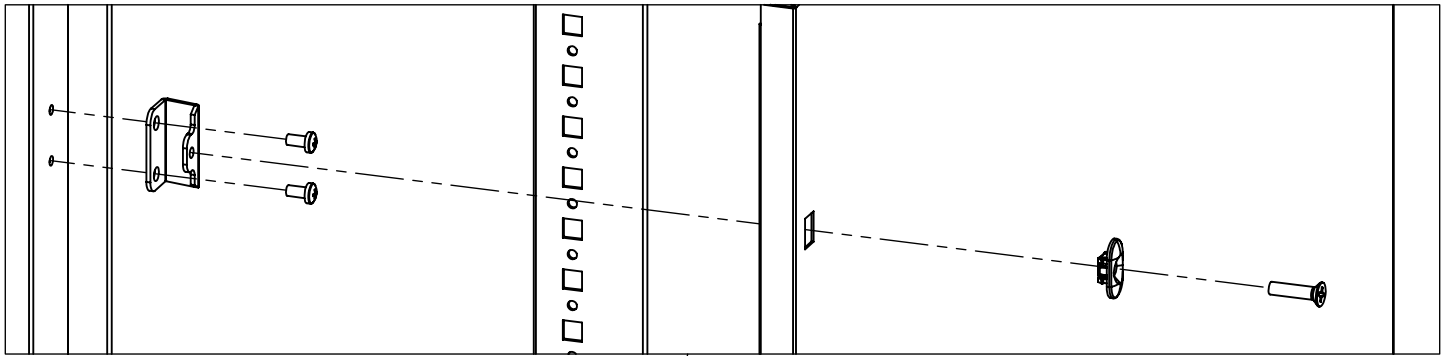
Note: Dimensions are for information. Please check soft copy drawings.

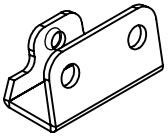
TOP COVER



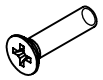
	M5x20	Single Door	Double Door
1)		x8	x16
	M5		
2)		x8	x16

REAR PANEL ASSEMBLY



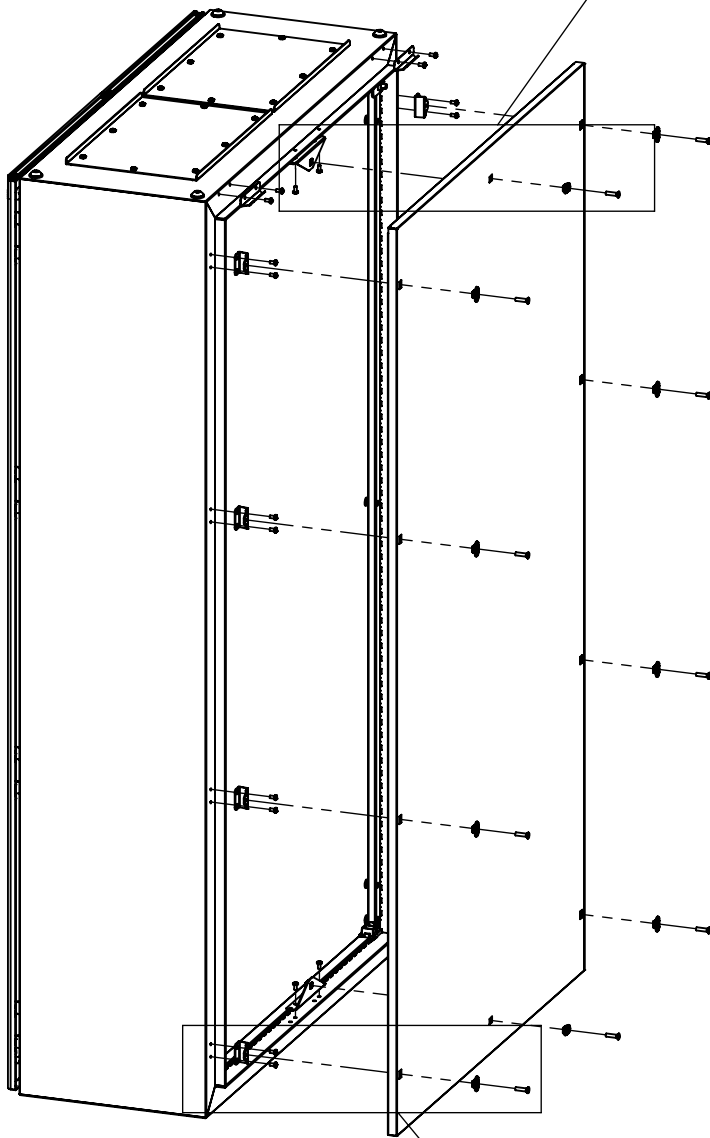
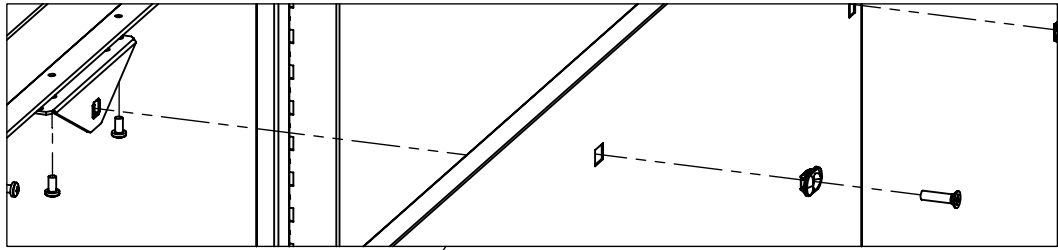
1)  X8

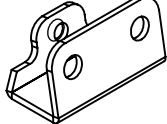



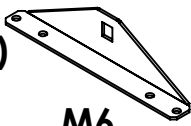

2) **M5x10**
 X16

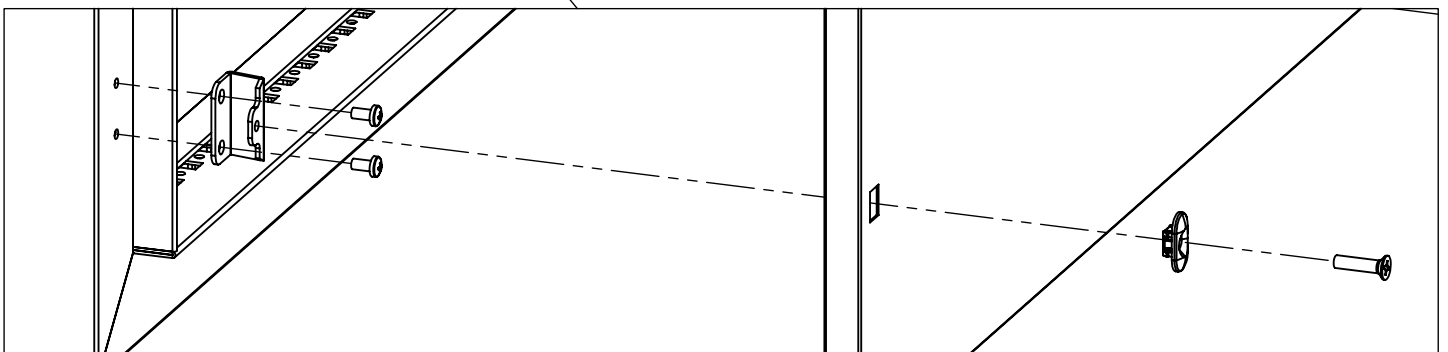
3) **M6x23**
 X8

4) **M6**
 X8

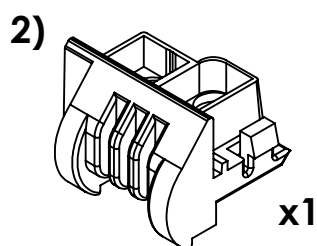
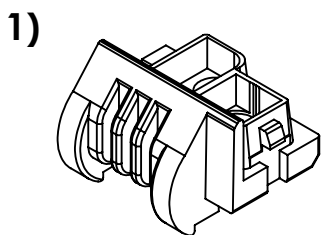
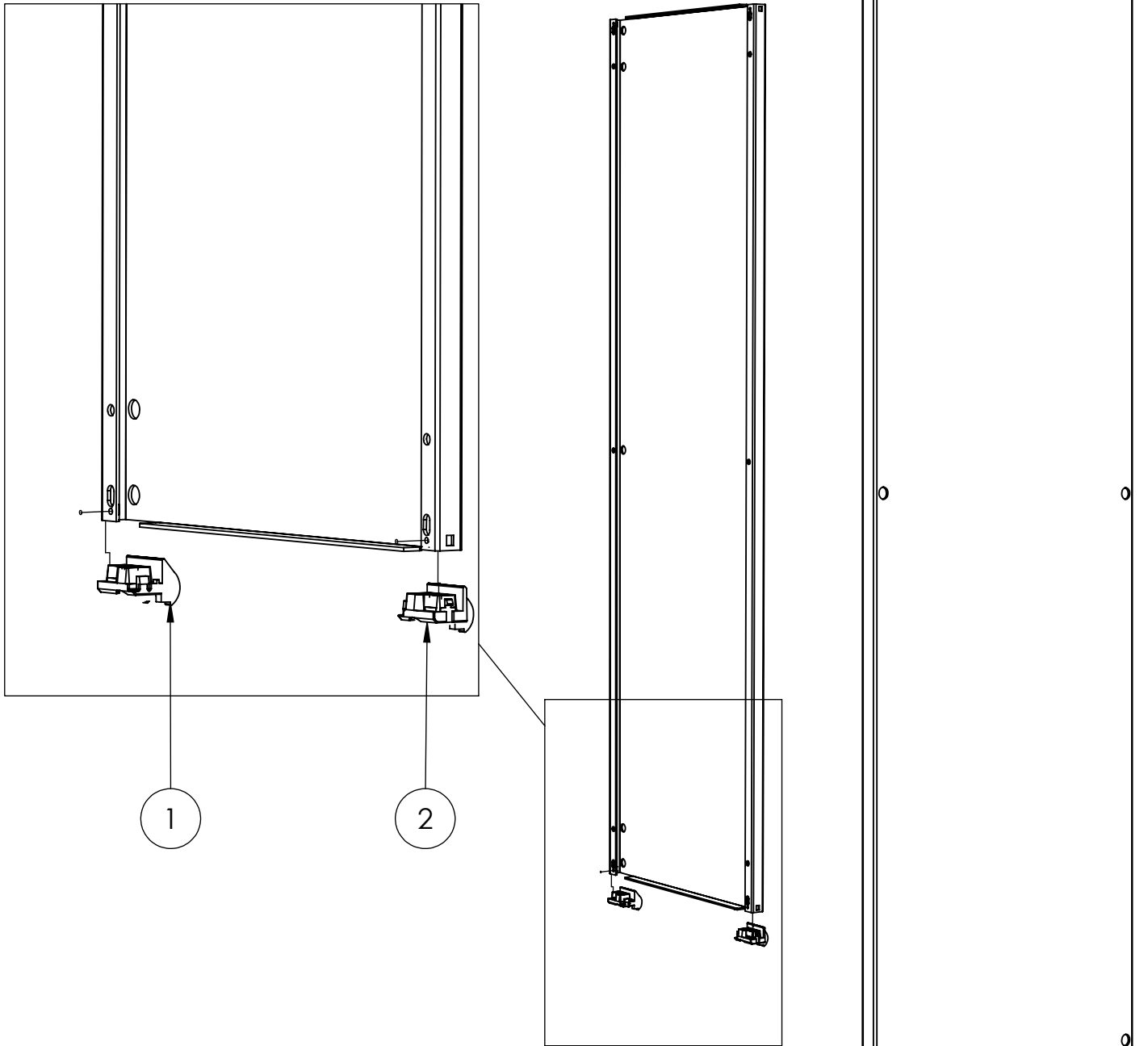
DOUBLE DOOR REAR PANEL ASSEMBLY



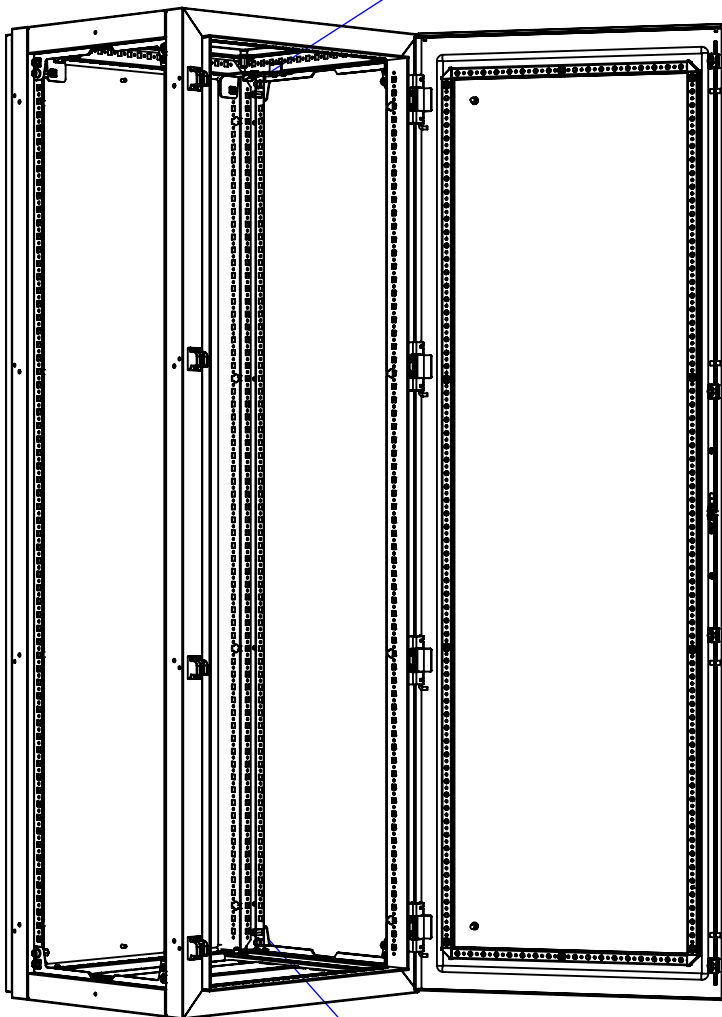
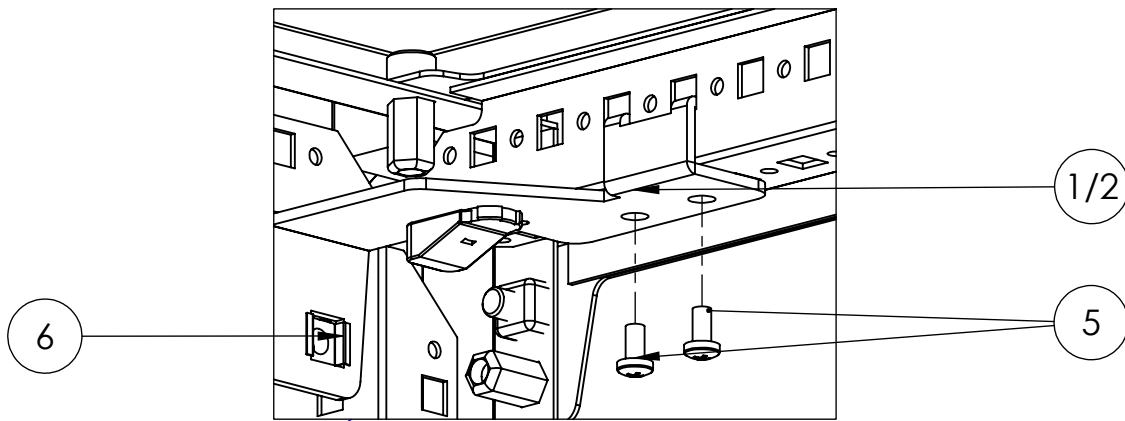
- 1)  x8
- 2)  M5x10 x20
- 3)  M6x23 x10
- 4)  M6 x10
- 5)  x2
- 6)  M6 x2

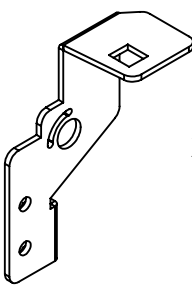
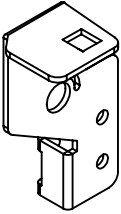
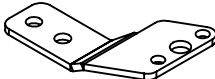
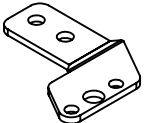





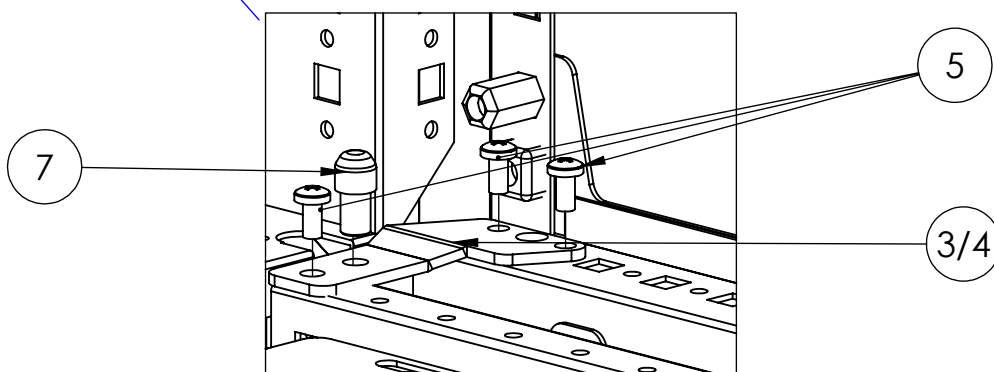
MOUNTING PLATE ASSEMBLY



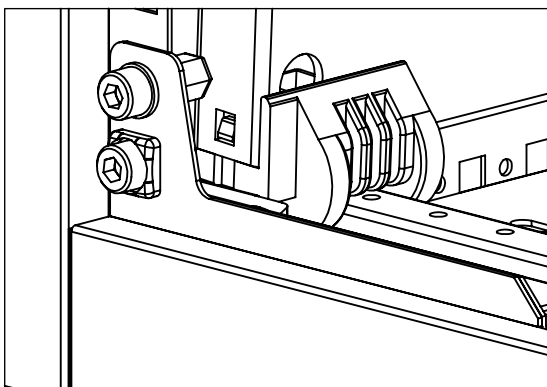
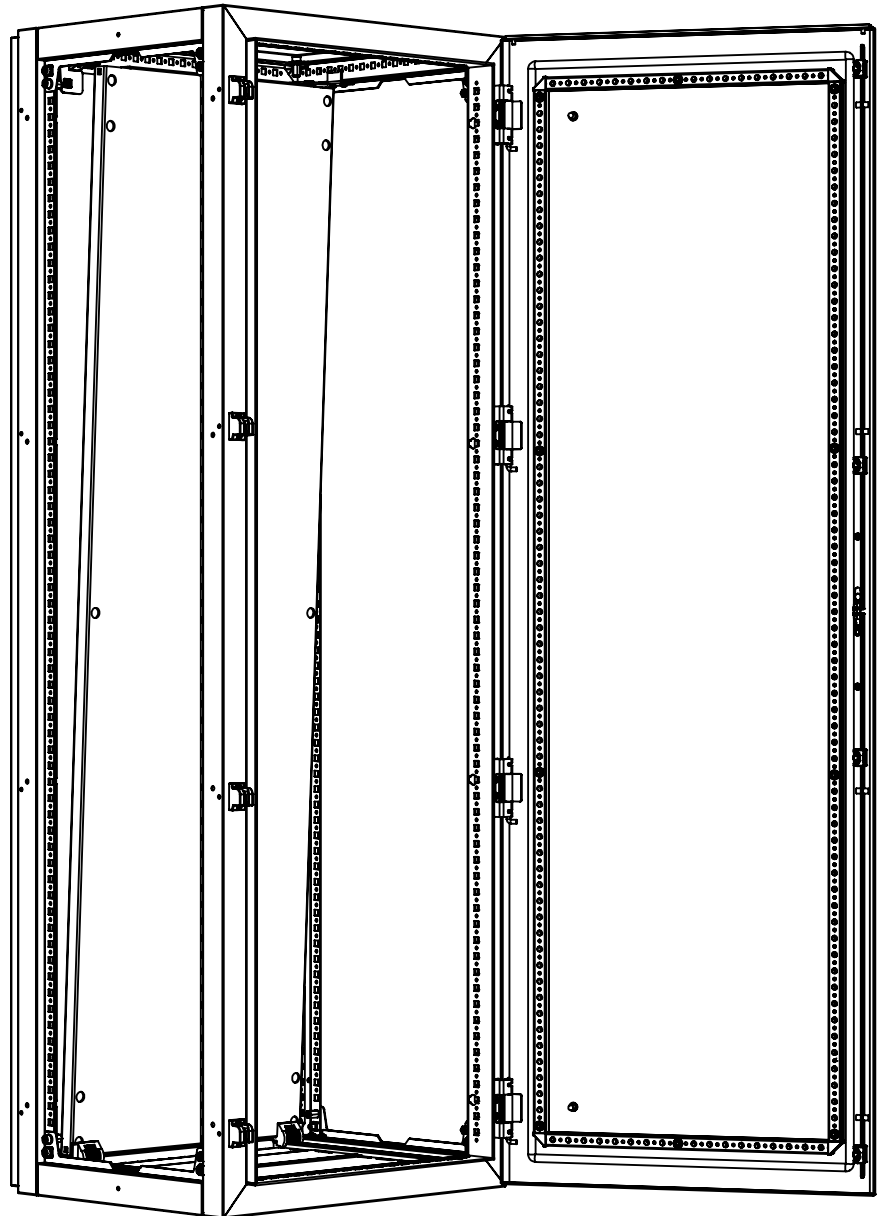
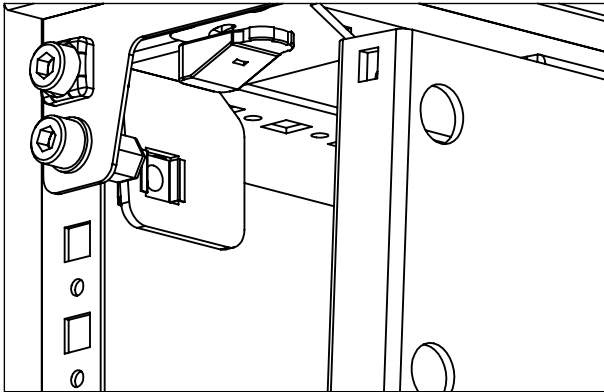
MOUNTING PLATE MOVEABLE POSITION



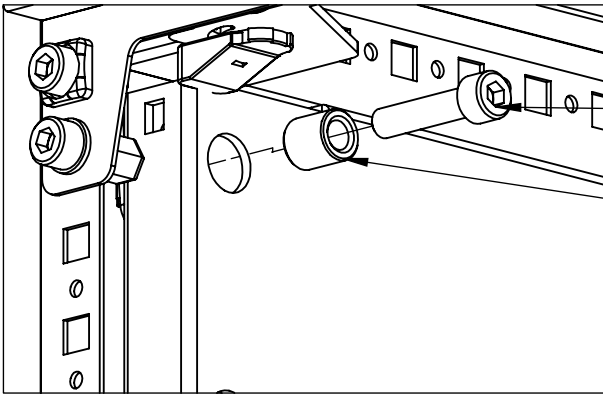
- 1)  x1
- 2)  x1
- 3)  x1
- 4)  x1
- 5)  M5x10 x10
- 6)  M8 x2
- 7)  x2



MOUNTING PLATE MOVEABLE POSITION

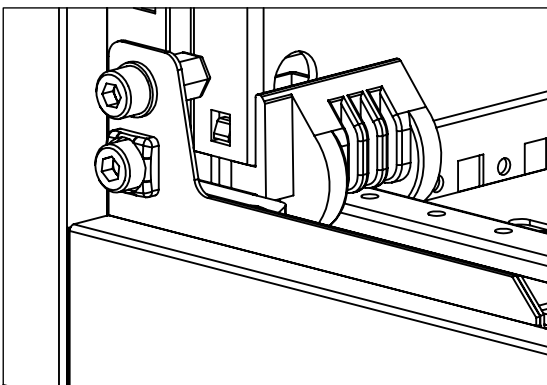
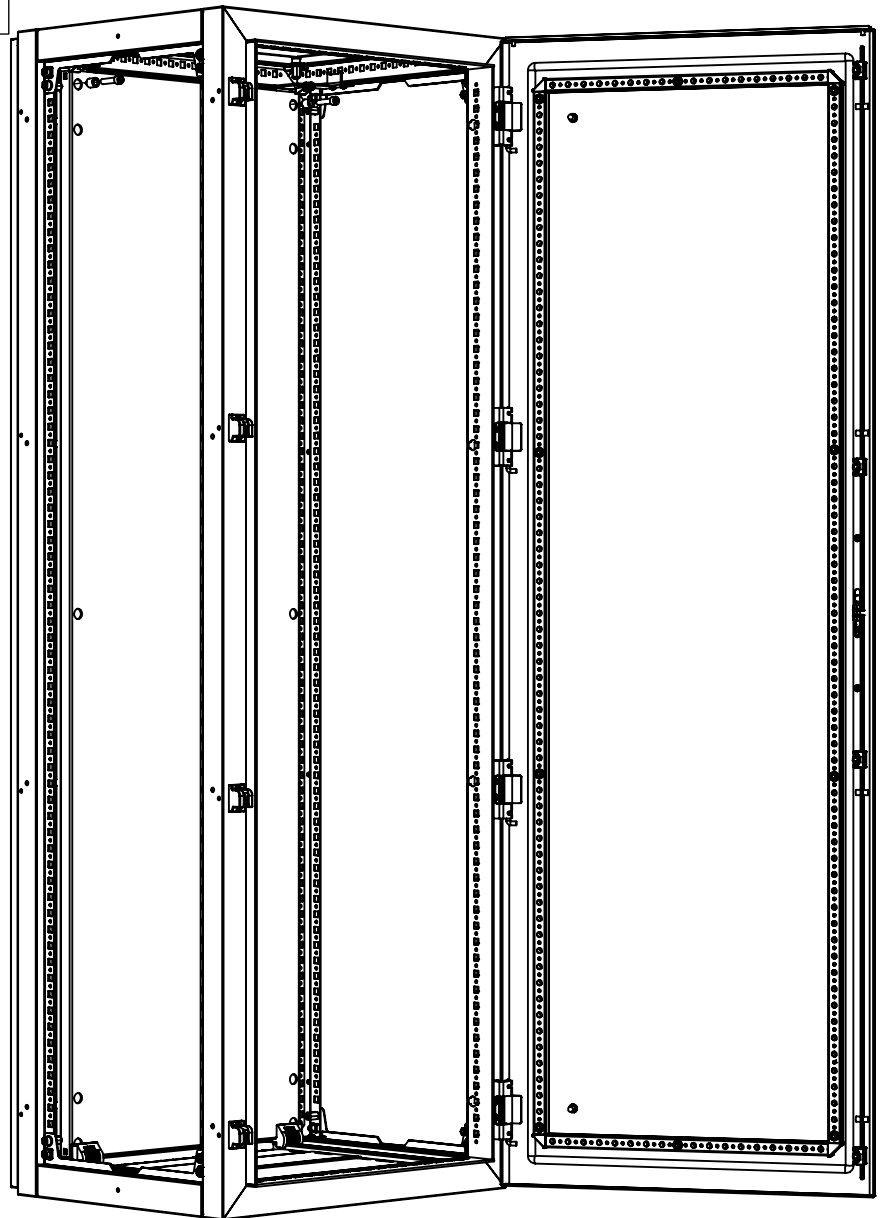
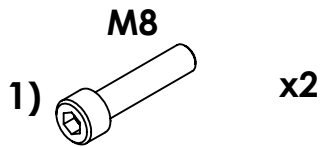


MOUNTING PLATE MOVEABLE POSITION

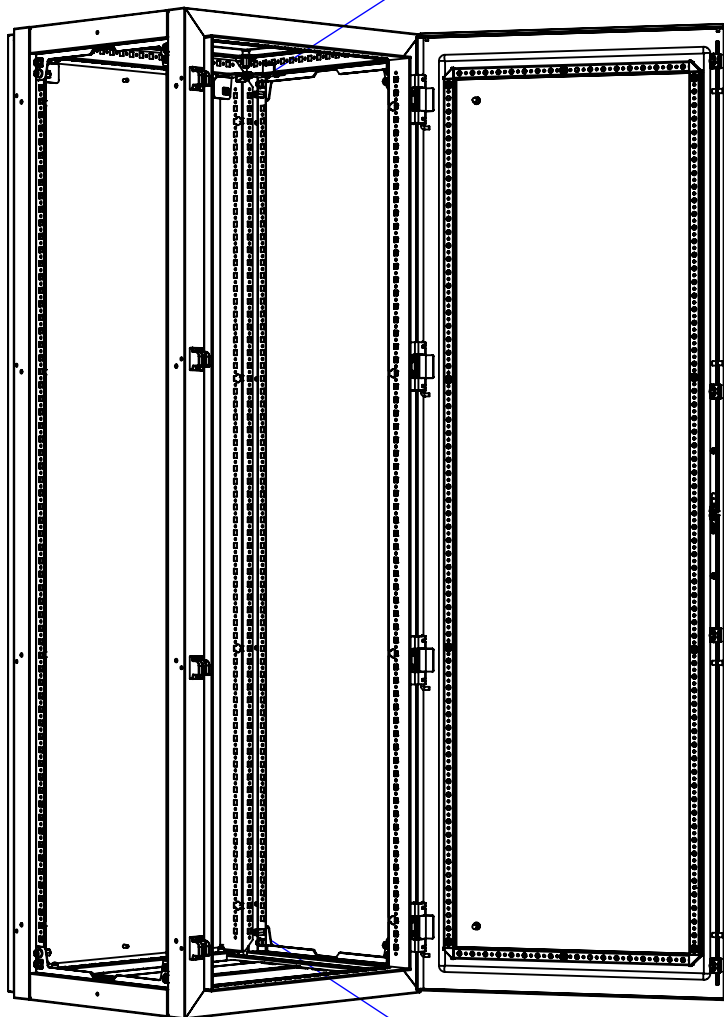
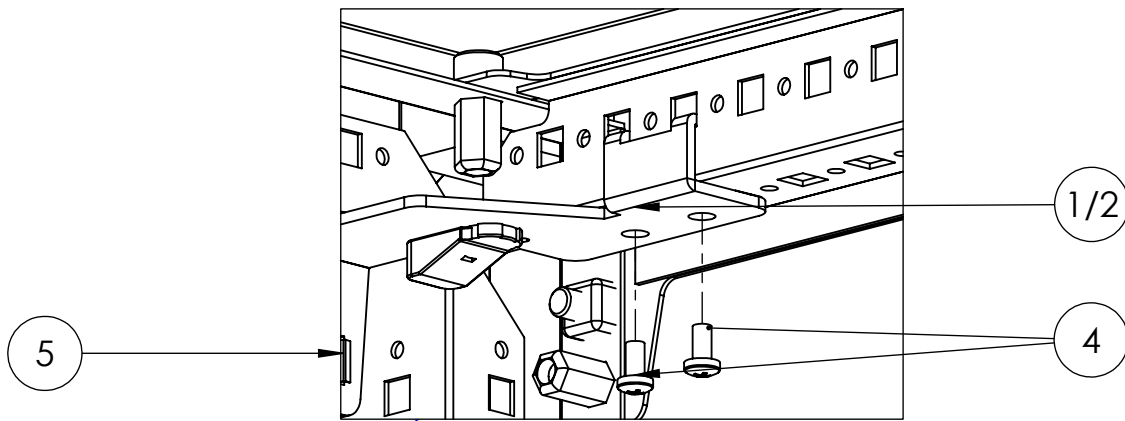


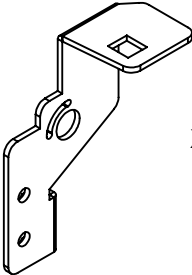
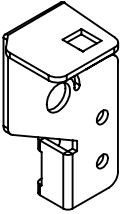



1

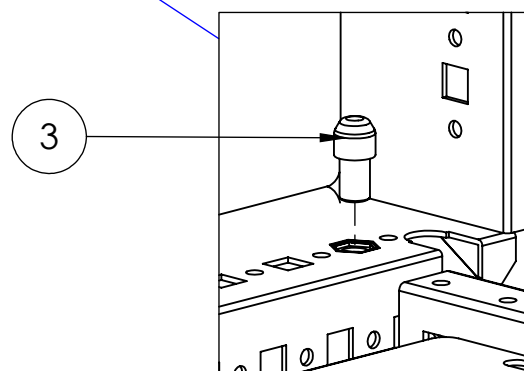
2



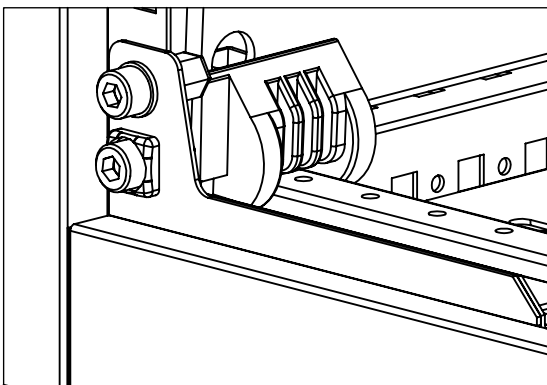
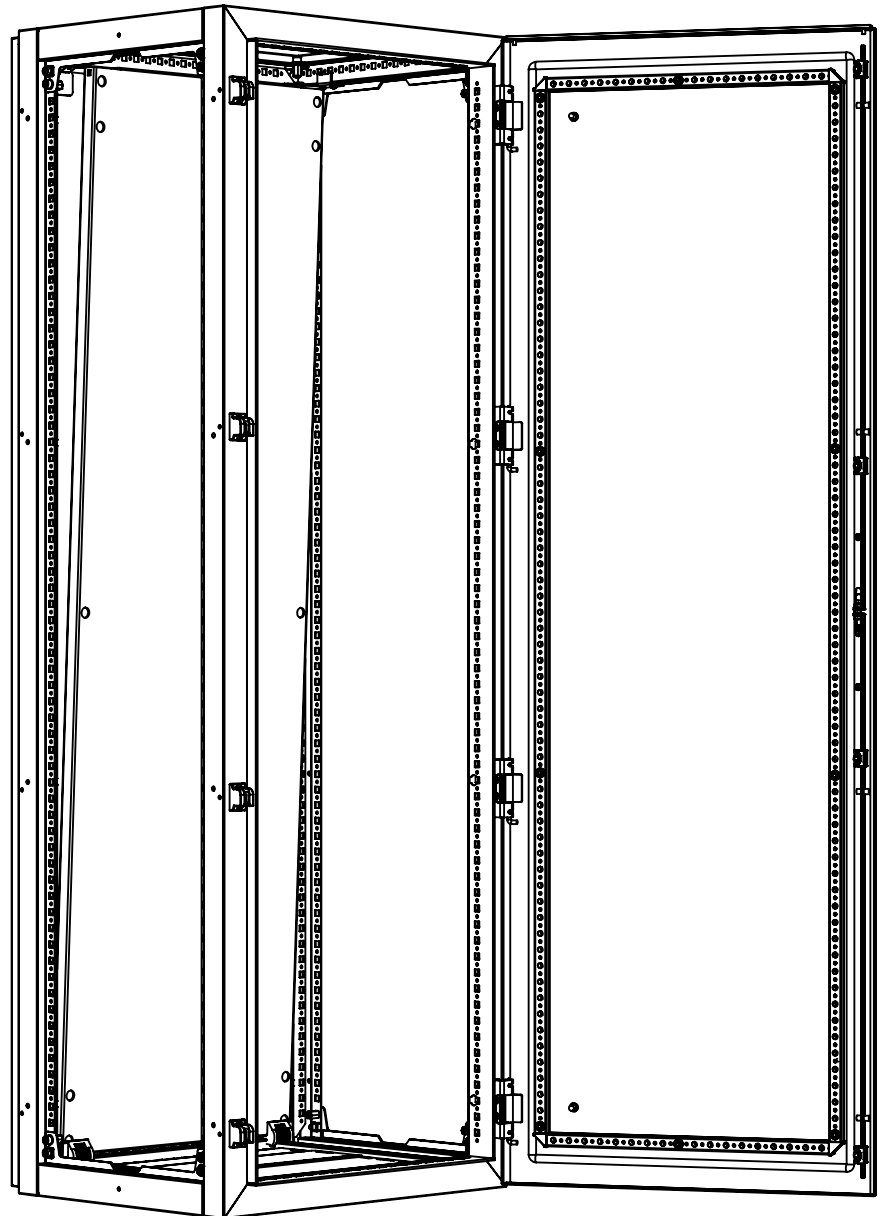
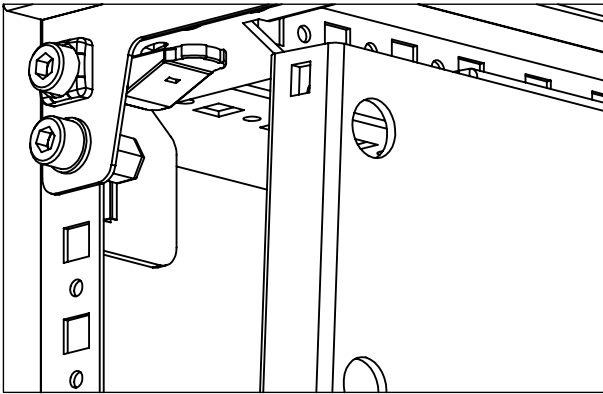
MOUNTING PLATE REAR FIXED POSITION



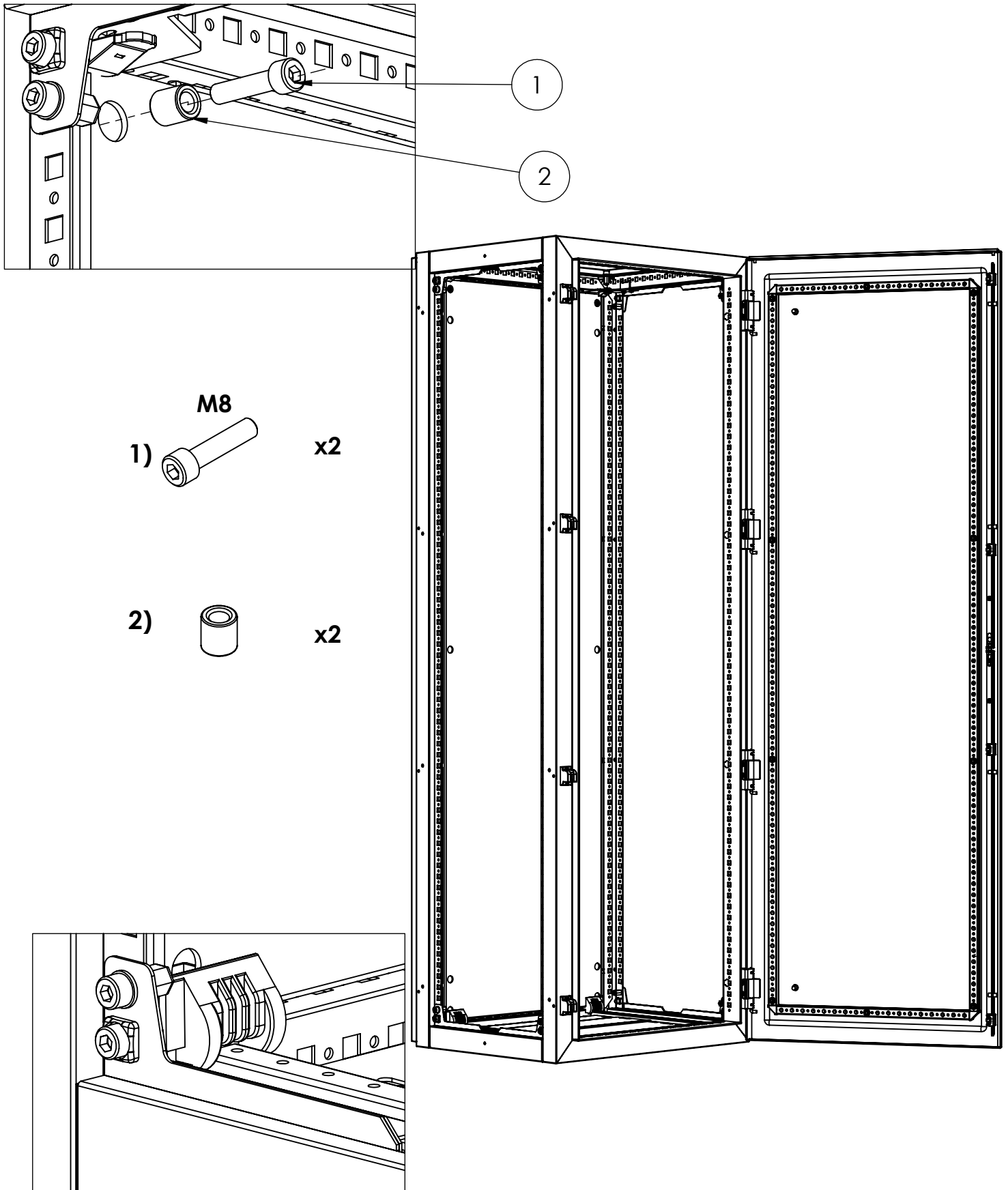
- 1)  x1
- 2)  x1
- 3)  x2
- 4)  M5x10 x4
- 5)  M8 x2



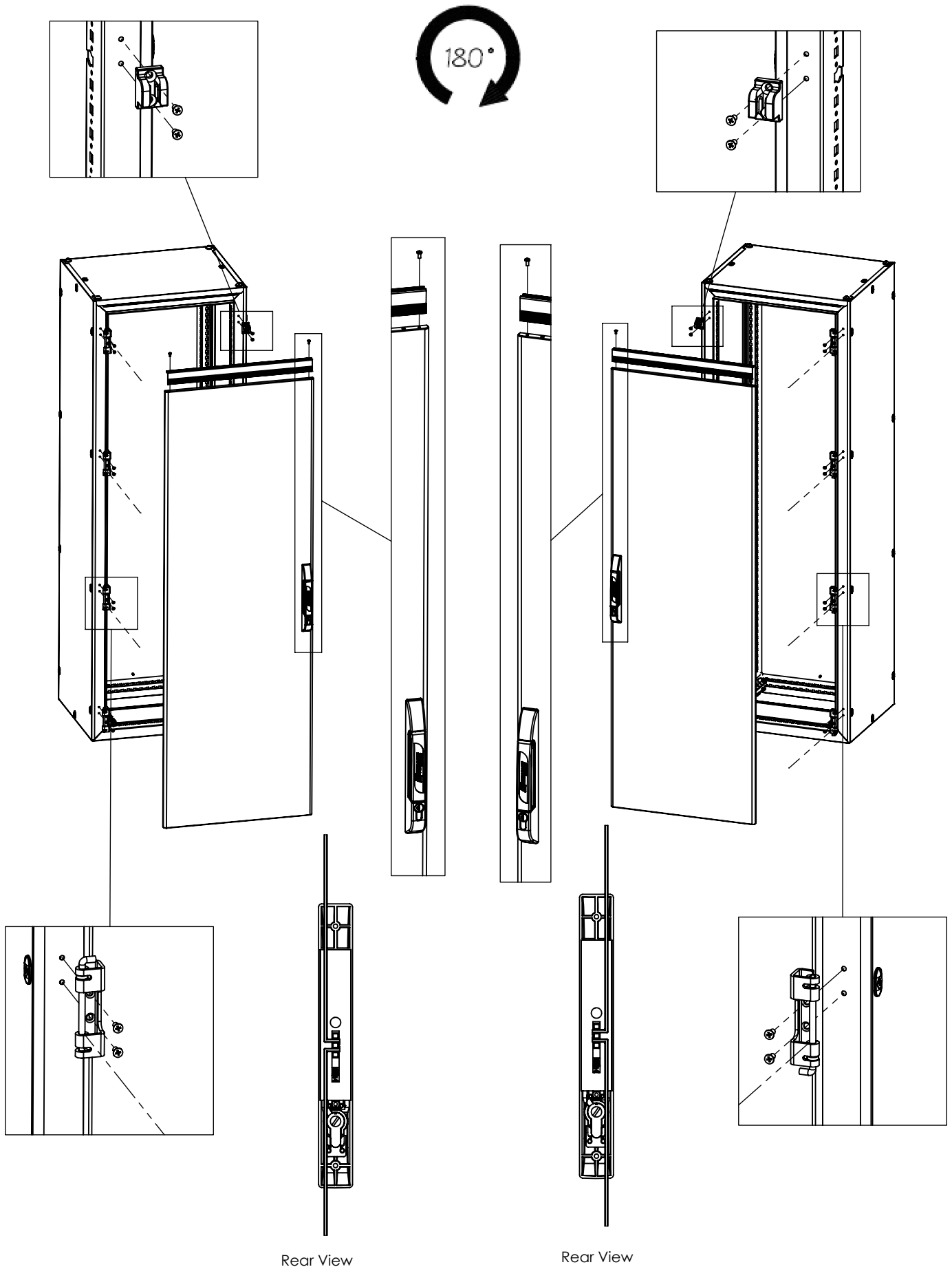
MOUNTING PLATE REAR FIXED POSITION



MOUNTING PLATE REAR FIXED POSITION



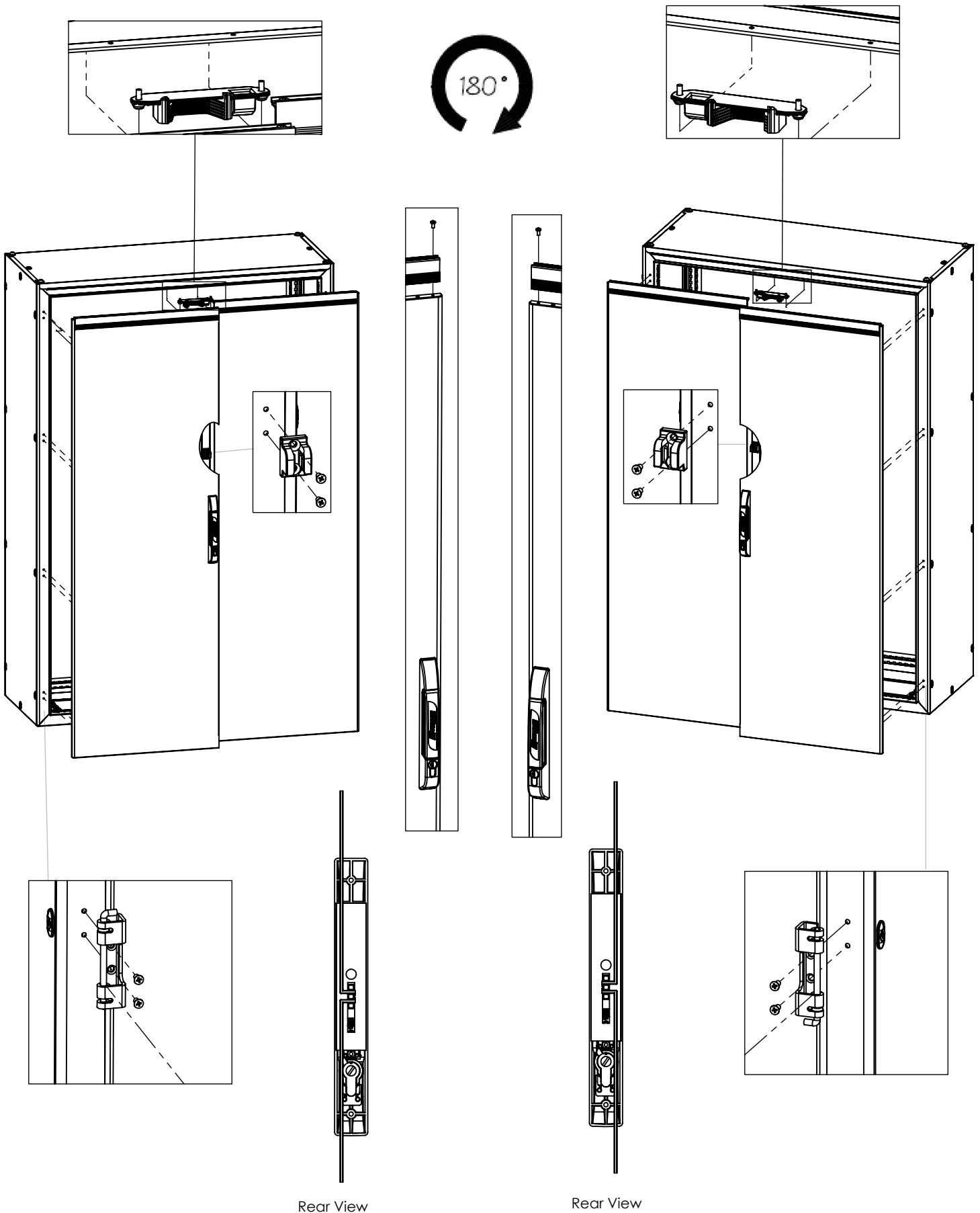
DOOR ASSEMBLY



Rear View

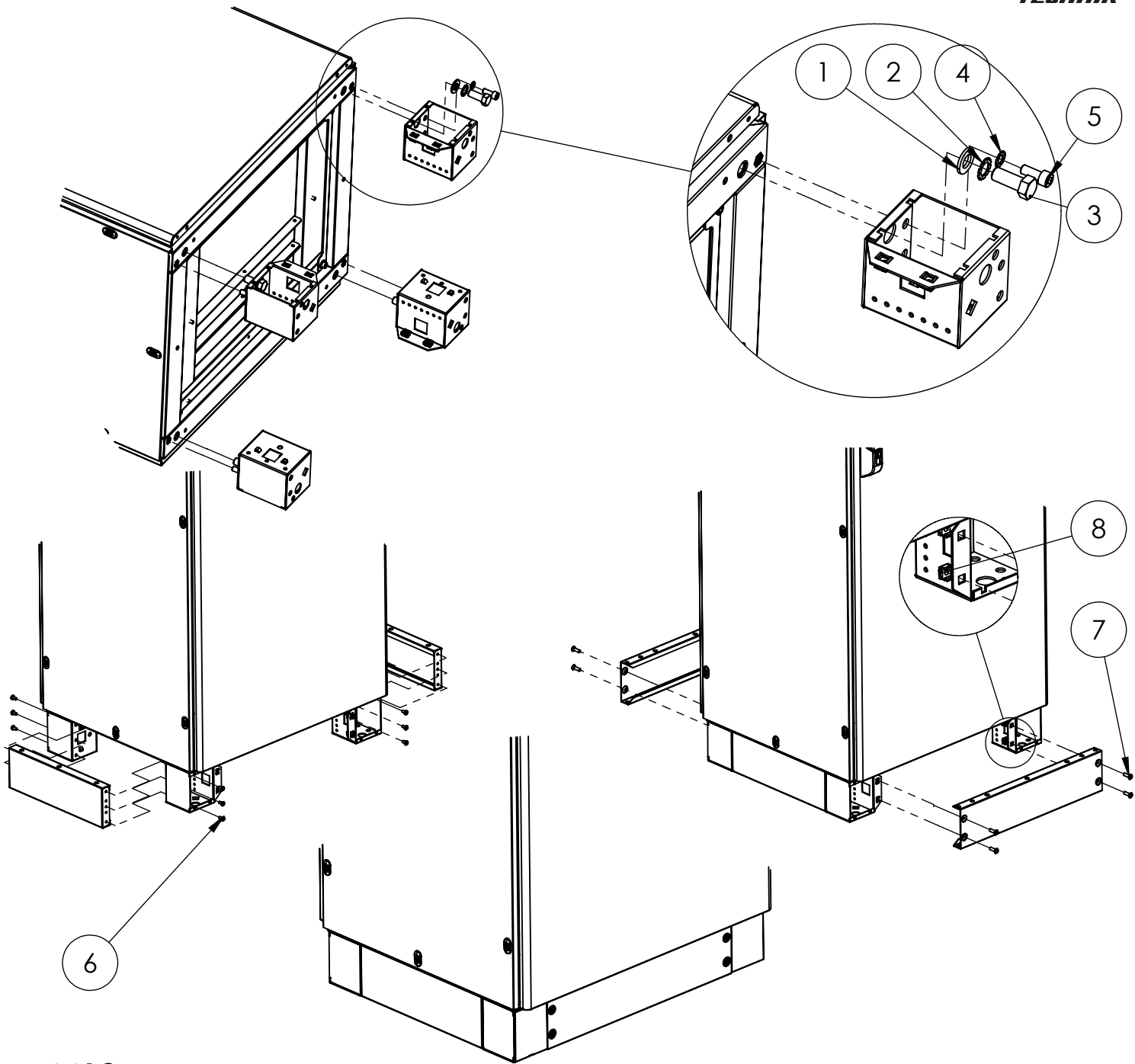
Rear View





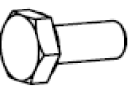

DOOR ASSEMBLY (DOUBLE DOOR)





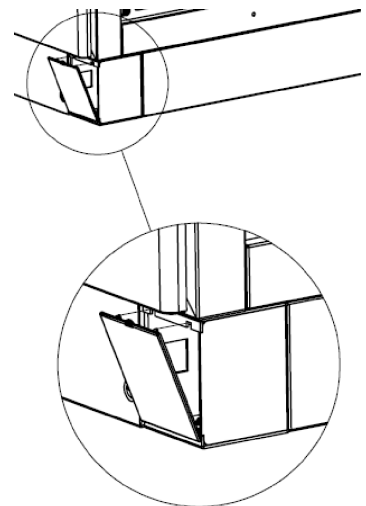
Rear View

Rear View

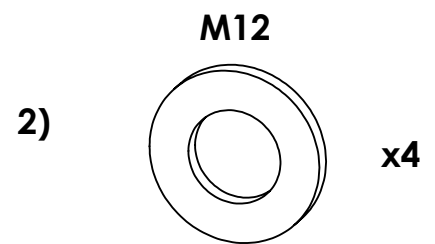
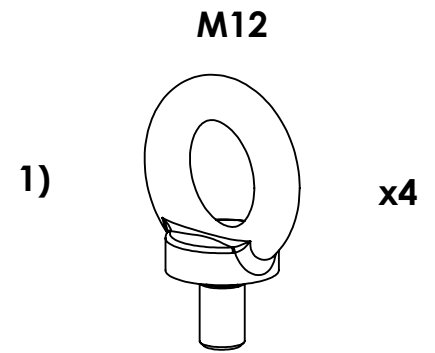
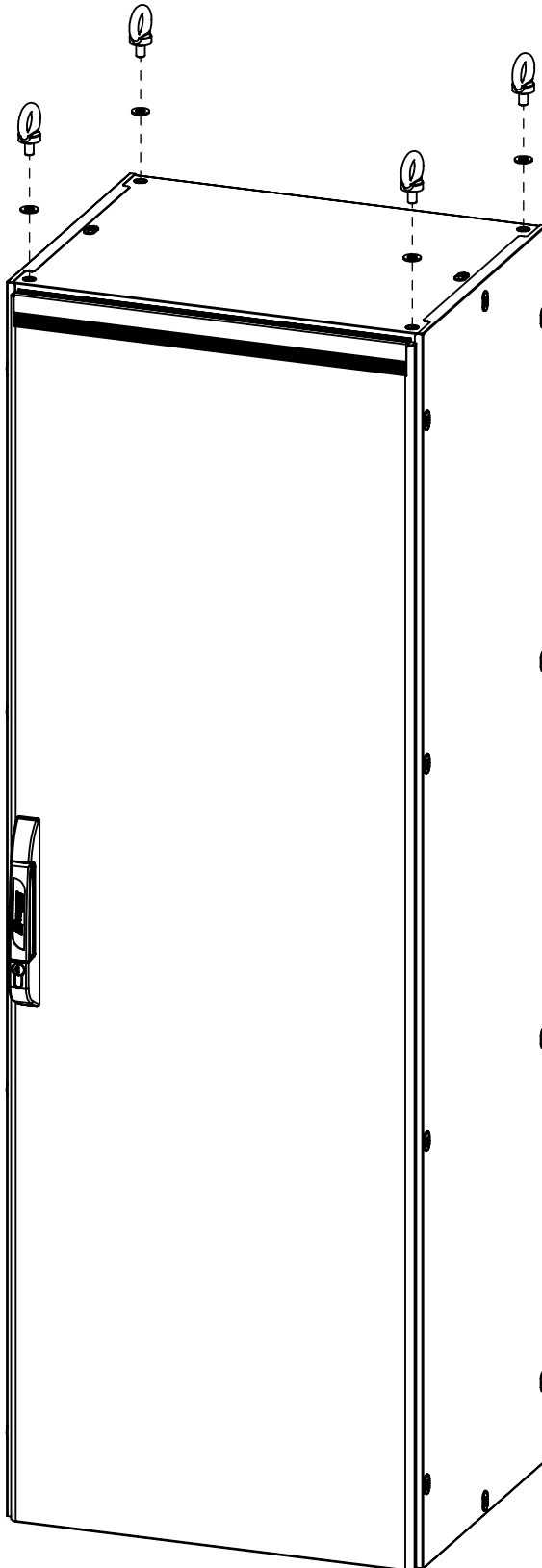


- | | | | |
|----|---|----|--|
| 1) |  M12 x4 | 4) |  M8 x4 |
| 2) |  M12 x4 | 5) |  M8x16 x4 |
| 3) |  M12x30 x4 | 6) |  x12 |

- | | |
|----|--|
| 7) |  M6X20 x4 |
| 8) |  M6 x4 |

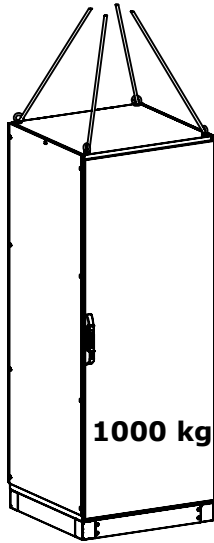


**EYEBOLT ASSEMBLY
(Optional)**



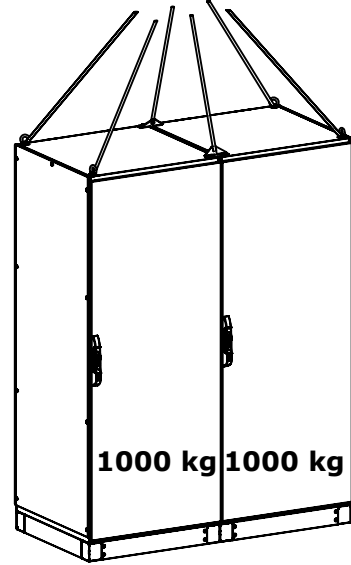
TRANSPORT INFORMATION

1000 kg

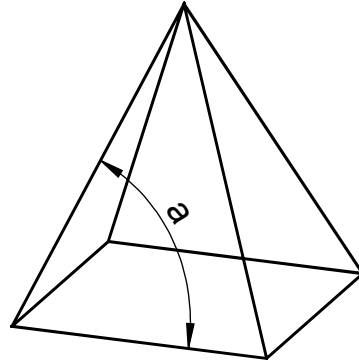


1000 kg

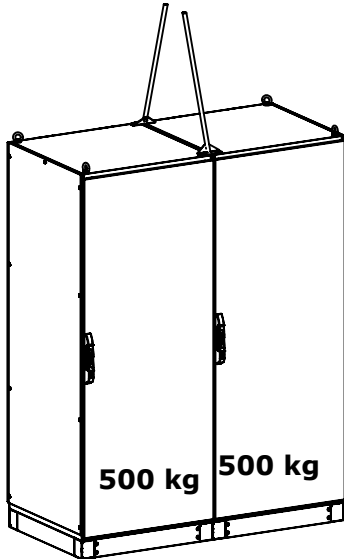
2000 kg



1000 kg 1000 kg

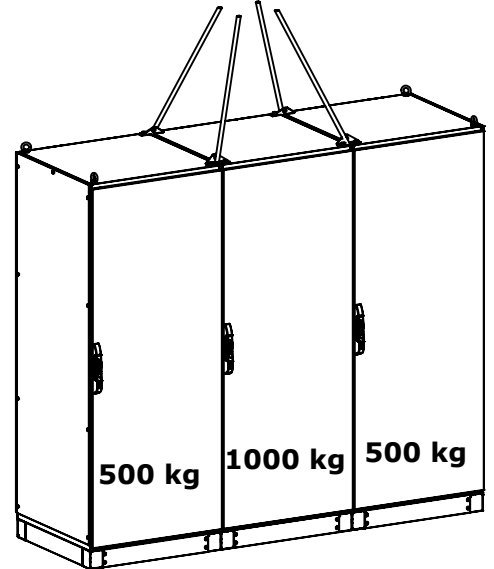


1000 kg



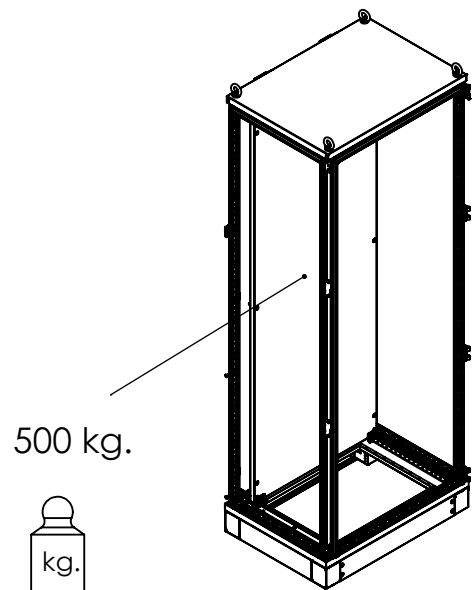
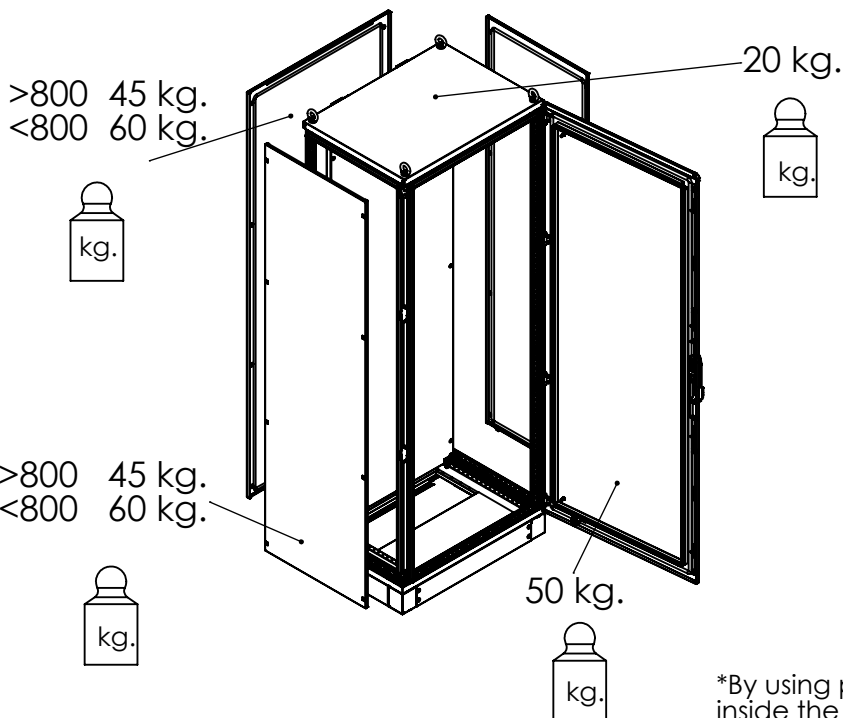
500 kg 500 kg

2000 kg



500 kg 1000 kg 500 kg

IDEAL $\alpha \geq 90^\circ$
MIN $\alpha \geq 75^\circ$



*By using plug-in rail brackets and scissile rails inside the enclosure extra 500 kg. can be loaded