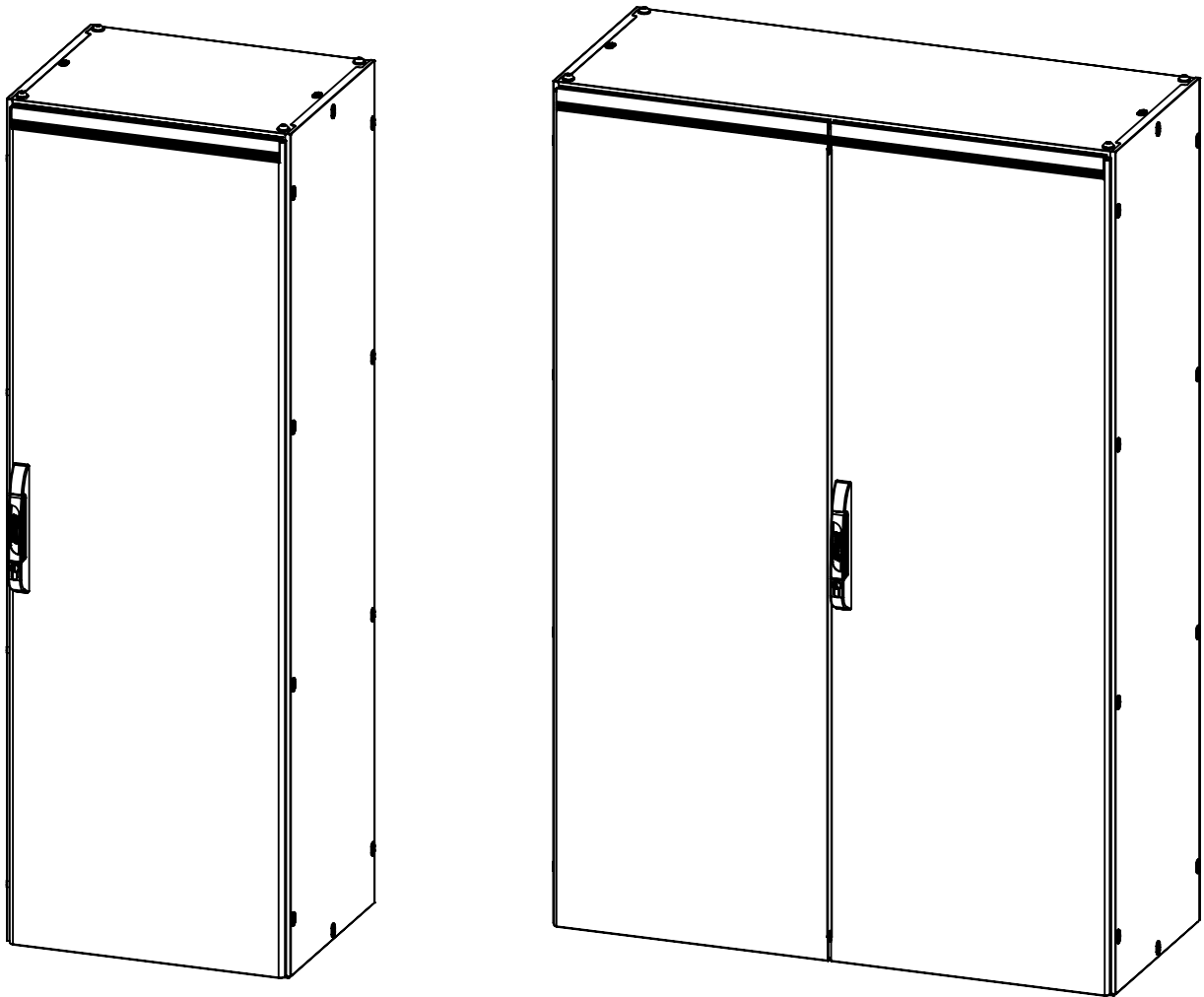
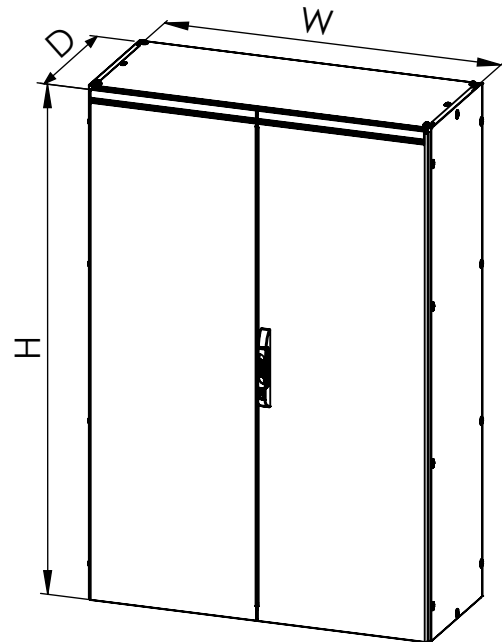
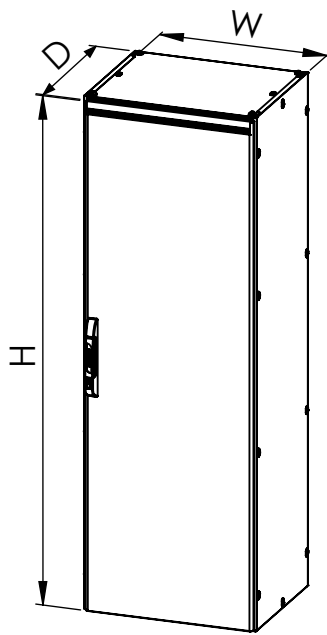


# AT SERIES USER MANUAL



Note: This manual supply with each enclosure.

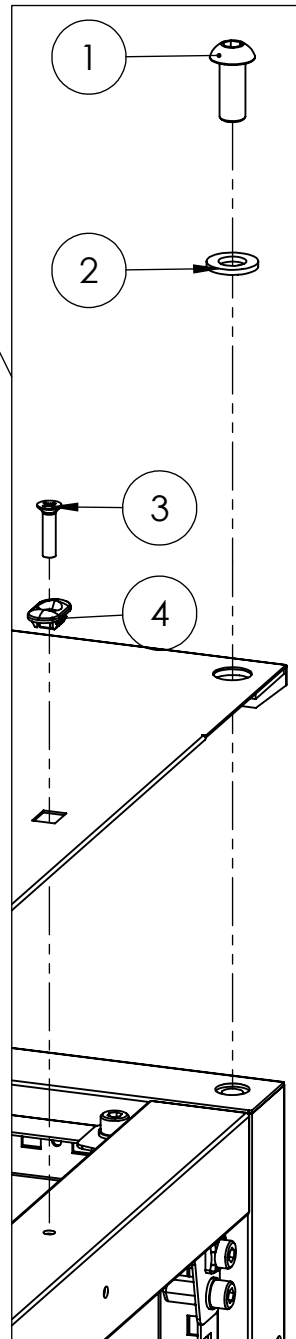
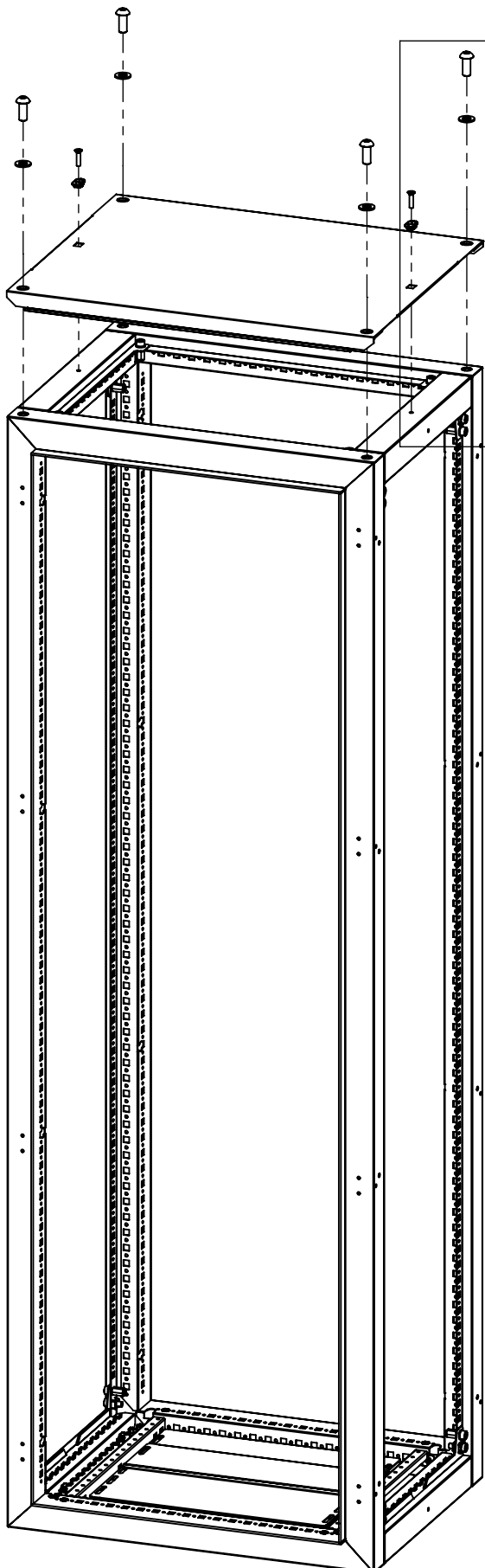
# AT SERIES

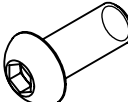


SCHRACK AT Series															
ITEM	Schrack Ref.No:	PRODUCT INFORMATION							OPTIONAL INFORMATION						
		ENCLOSURE DIMENSIONS H x W x D (mm)			MOUNTING PLATE DIMENSIONS H x W (mm)			DOOR	PLINTH H x W x D (mm)				SIDE PANELS	BAYING KIT	EYEBOLT KIT
		HEIGHT (mm)	WIDTH (mm)	DEPTH (mm)	INC.-W/O	HEIGHT (mm)	WIDTH (mm)		DOOR TYPE	PLINTH CORNER H(100)	PLINTH CORNER H(200)	PLINTH FRONT COVER (H100) (W)			
1	AT186040--	1800	600	400	Inc.	1688	488	Single	ASSOC104--	ASSOC204--	ATSOB061--	ATSOT041--	ATSW1804--	ATCCIO60--	ATLE9301--
2	AT186041--	1800	600	400	W/O	1688	488	Single	ASSOC104--	ASSOC204--	ATSOB061--	ATSOT041--	ATSW1804--	ATCCIO60--	ATLE9301--
3	AT186050--	1800	600	500	Inc.	1688	488	Single	ASSOC104--	ASSOC204--	ATSOB061--	ATSOT051--	ATSW1805--	ATCCIO60--	ATLE9301--
4	AT186060--	1800	600	600	Inc.	1688	488	Single	ASSOC104--	ASSOC204--	ATSOB061--	ATSOT061--	ATSW1806--	ATCCIO60--	ATLE9301--
5	AT188040--	1800	800	400	Inc.	1688	688	Single	ASSOC104--	ASSOC204--	ATSOB081--	ATSOT041--	ATSW1804--	ATCCIO60--	ATLE9301--
6	AT188050--	1800	800	500	Inc.	1688	688	Single	ASSOC104--	ASSOC204--	ATSOB081--	ATSOT051--	ATSW1805--	ATCCIO60--	ATLE9301--
7	AT188060--	1800	800	600	Inc.	1688	688	Single	ASSOC104--	ASSOC204--	ATSOB081--	ATSOT061--	ATSW1806--	ATCCIO60--	ATLE9301--
8	AT181040--	1800	1000	400	Inc.	1688	888	Single	ASSOC104--	ASSOC204--	ATSOB101--	ATSOT041--	ATSW1804--	ATCCIO60--	ATLE9301--
9	AT181042--	1800	1000	400	Inc.	1688	888	Double	ASSOC104--	ASSOC204--	ATSOB101--	ATSOT041--	ATSW1804--	ATCCIO60--	ATLE9301--
10	AT181050--	1800	1000	500	Inc.	1688	888	Single	ASSOC104--	ASSOC204--	ATSOB101--	ATSOT051--	ATSW1805--	ATCCIO60--	ATLE9301--
11	AT181052--	1800	1000	500	Inc.	1688	888	Double	ASSOC104--	ASSOC204--	ATSOB101--	ATSOT051--	ATSW1805--	ATCCIO60--	ATLE9301--
12	AT181060--	1800	1000	600	Inc.	1688	888	Single	ASSOC104--	ASSOC204--	ATSOB101--	ATSOT061--	ATSW1806--	ATCCIO60--	ATLE9301--
13	AT181242--	1800	1200	400	Inc.	1688	1088	Double	ASSOC104--	ASSOC204--	ATSOB121--	ATSOT041--	ATSW1804--	ATCCIO60--	ATLE9301--
14	AT181252--	1800	1200	500	Inc.	1688	1088	Double	ASSOC104--	ASSOC204--	ATSOB121--	ATSOT051--	ATSW1805--	ATCCIO60--	ATLE9301--
15	AT181262--	1800	1200	600	Inc.	1688	1088	Double	ASSOC104--	ASSOC204--	ATSOB121--	ATSOT061--	ATSW1806--	ATCCIO60--	ATLE9301--
16	AT204041--	2000	400	400	W/O	1888	488	Single	ASSOC104--	ASSOC204--	ATSOB041--	ATSOT041--	ATSW2004--	ATCCIO60--	ATLE9301--
17	AT206040--	2000	600	400	Inc.	1888	488	Single	ASSOC104--	ASSOC204--	ATSOB061--	ATSOT041--	ATSW2004--	ATCCIO60--	ATLE9301--
18	AT206041--	2000	600	400	W/O	1888	488	Single	ASSOC104--	ASSOC204--	ATSOB061--	ATSOT041--	ATSW2004--	ATCCIO60--	ATLE9301--
19	AT206050--	2000	600	500	Inc.	1888	488	Single	ASSOC104--	ASSOC204--	ATSOB061--	ATSOT051--	ATSW2005--	ATCCIO60--	ATLE9301--
20	AT206060--	2000	600	600	Inc.	1888	488	Single	ASSOC104--	ASSOC204--	ATSOB061--	ATSOT061--	ATSW2006--	ATCCIO60--	ATLE9301--
21	AT206061--	2000	600	600	W/O	1888	488	Single	ASSOC104--	ASSOC204--	ATSOB061--	ATSOT061--	ATSW2006--	ATCCIO60--	ATLE9301--
22	AT208040--	2000	800	400	Inc.	1888	688	Single	ASSOC104--	ASSOC204--	ATSOB081--	ATSOT041--	ATSW2004--	ATCCIO60--	ATLE9301--
23	AT208041--	2000	800	400	W/O	1888	688	Single	ASSOC104--	ASSOC204--	ATSOB081--	ATSOT041--	ATSW2004--	ATCCIO60--	ATLE9301--
24	AT208050--	2000	800	500	Inc.	1888	688	Single	ASSOC104--	ASSOC204--	ATSOB081--	ATSOT051--	ATSW2005--	ATCCIO60--	ATLE9301--
25	AT208060--	2000	800	600	Inc.	1888	688	Single	ASSOC104--	ASSOC204--	ATSOB081--	ATSOT061--	ATSW2006--	ATCCIO60--	ATLE9301--
26	AT208061--	2000	800	600	W/O	1888	688	Single	ASSOC104--	ASSOC204--	ATSOB081--	ATSOT061--	ATSW2006--	ATCCIO60--	ATLE9301--
27	AT208080--	2000	800	800	Inc.	1888	688	Single	ASSOC104--	ASSOC204--	ATSOB081--	ATSOT081--	ATSW2008--	ATCCIO60--	ATLE9301--
28	AT201040--	2000	1000	400	Inc.	1888	888	Single	ASSOC104--	ASSOC204--	ATSOB101--	ATSOT041--	ATSW2004--	ATCCIO60--	ATLE9301--
29	AT201041--	2000	1000	400	W/O	1888	888	Single	ASSOC104--	ASSOC204--	ATSOB101--	ATSOT041--	ATSW2004--	ATCCIO60--	ATLE9301--
30	AT201042--	2000	1000	400	Inc.	1888	888	Double	ASSOC104--	ASSOC204--	ATSOB101--	ATSOT041--	ATSW2004--	ATCCIO60--	ATLE9301--
31	AT201043--	2000	1000	400	W/O	1888	888	Double	ASSOC104--	ASSOC204--	ATSOB101--	ATSOT041--	ATSW2004--	ATCCIO60--	ATLE9301--
32	AT201050--	2000	1000	500	Inc.	1888	888	Single	ASSOC104--	ASSOC204--	ATSOB101--	ATSOT051--	ATSW2005--	ATCCIO60--	ATLE9301--
33	AT201052--	2000	1000	500	Inc.	1888	888	Double	ASSOC104--	ASSOC204--	ATSOB101--	ATSOT051--	ATSW2005--	ATCCIO60--	ATLE9301--
34	AT201060--	2000	1000	600	Inc.	1888	888	Single	ASSOC104--	ASSOC204--	ATSOB101--	ATSOT061--	ATSW2006--	ATCCIO60--	ATLE9301--
35	AT201062--	2000	1000	600	Inc.	1888	888	Double	ASSOC104--	ASSOC204--	ATSOB101--	ATSOT061--	ATSW2006--	ATCCIO60--	ATLE9301--
36	AT201242--	2000	1200	400	Inc.	1888	1088	Double	ASSOC104--	ASSOC204--	ATSOB121--	ATSOT041--	ATSW2004--	ATCCIO60--	ATLE9301--
37	AT201243--	2000	1200	400	W/O	1888	1088	Double	ASSOC104--	ASSOC204--	ATSOB121--	ATSOT041--	ATSW2004--	ATCCIO60--	ATLE9301--
38	AT201252--	2000	1200	500	Inc.	1888	1088	Double	ASSOC104--	ASSOC204--	ATSOB121--	ATSOT051--	ATSW2005--	ATCCIO60--	ATLE9301--
39	AT201262--	2000	1200	600	Inc.	1888	1088	Double	ASSOC104--	ASSOC204--	ATSOB121--	ATSOT061--	ATSW2006--	ATCCIO60--	ATLE9301--
40	AT201263--	2000	1200	600	W/O	1888	1488	Double	ASSOC104--	ASSOC204--	ATSOB121--	ATSOT061--	ATSW2006--	ATCCIO60--	ATLE9301--
41	AT201642--	2000	1600	400	Inc.	1888	1488	Double	ASSOC104--	ASSOC204--	ATSOB161--	ATSOT041--	ATSW2004--	ATCCIO60--	ATLE9301--
PART		TOP	REAR	SIDE	MOUNTING PLATE			DOOR	PLINTH				BAYING	EYEBOLT	
PAGE		3	4	6	7			14	16				17	19	


Note: Dimensions are for information. Please check the soft copy drawings.

**TOP COVER ASSEMBLY**



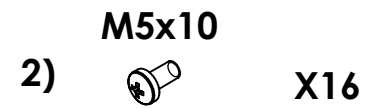
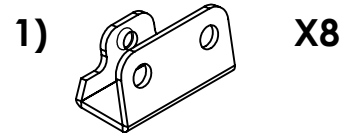
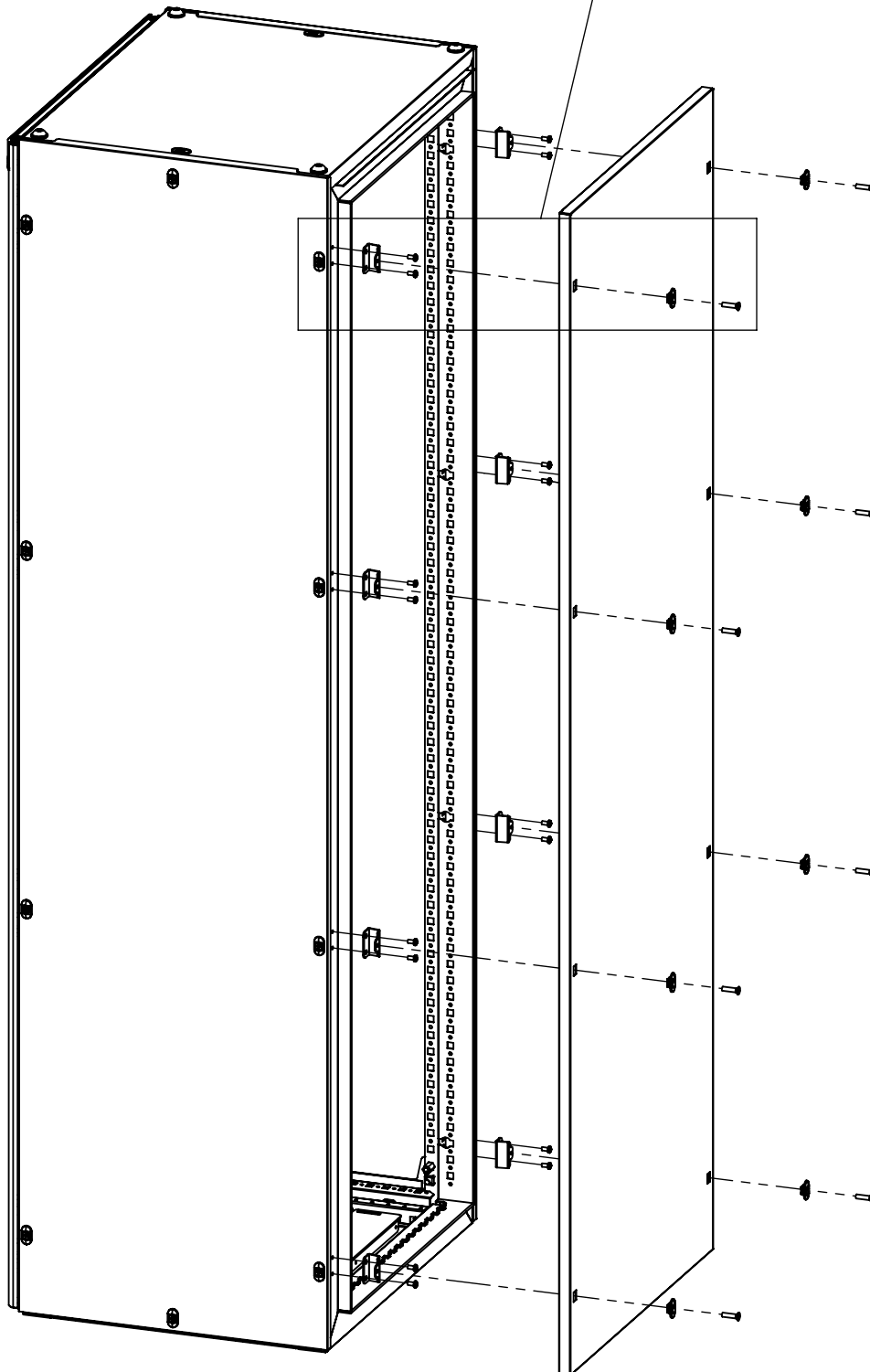
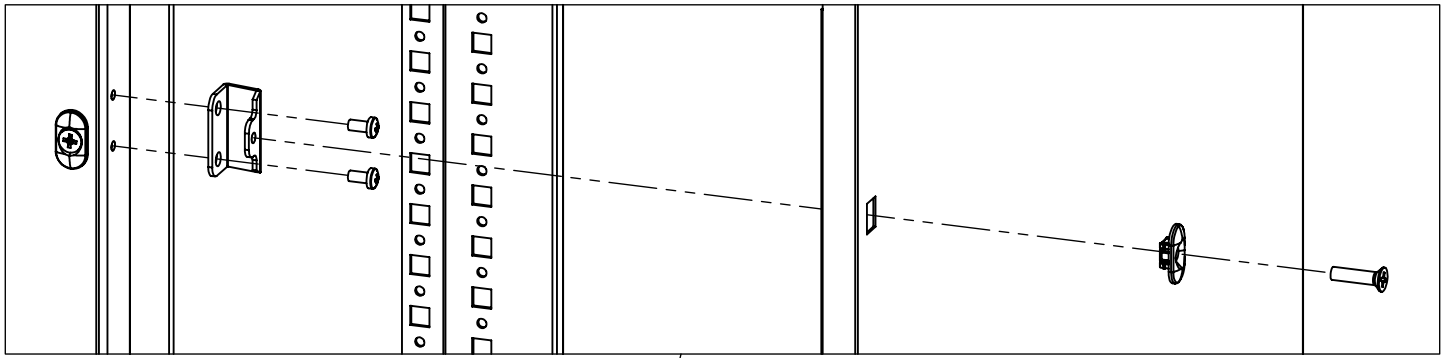
**M12x30**  
1)  **X4**

**M12**  
2)  **X4**

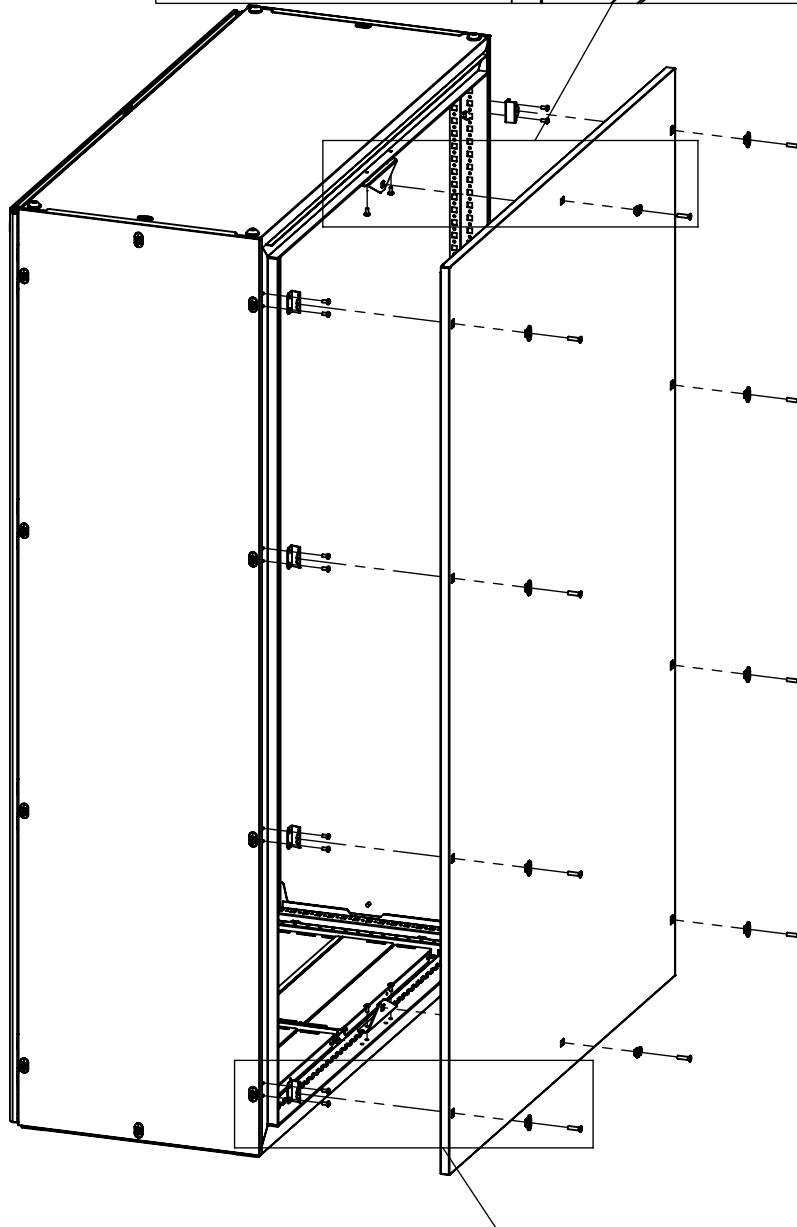
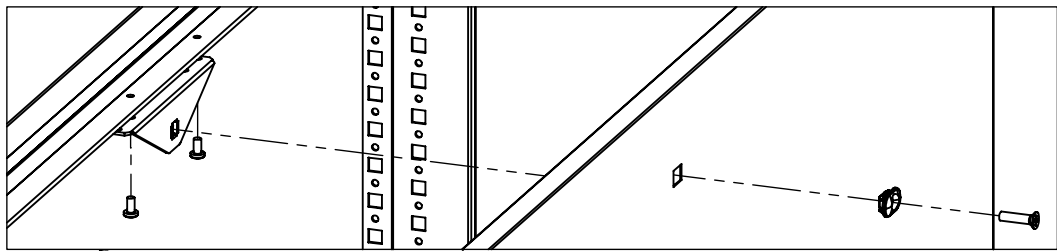
**M6x23**  
3)  **X2**

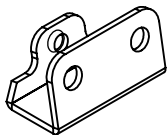



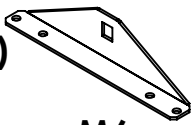

4)  **X2**

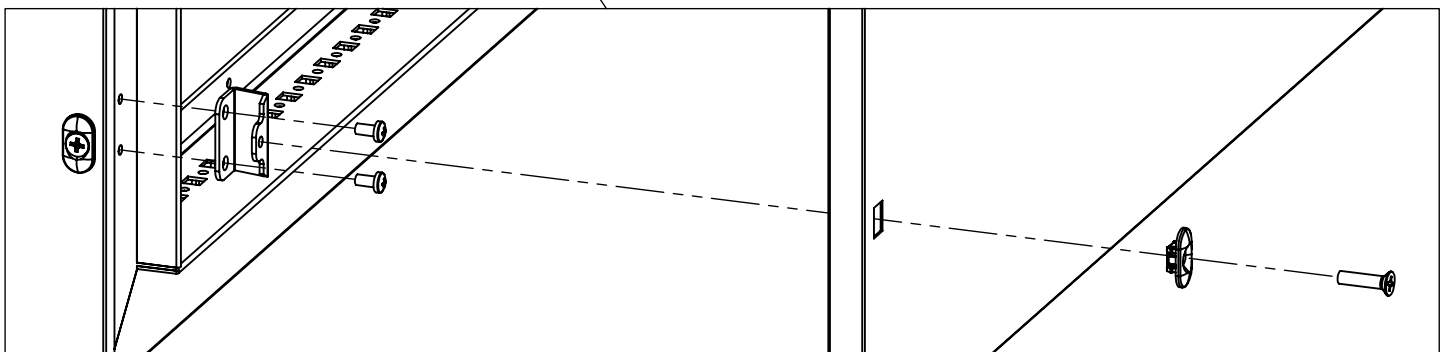
**REAR PANEL ASSEMBLY**



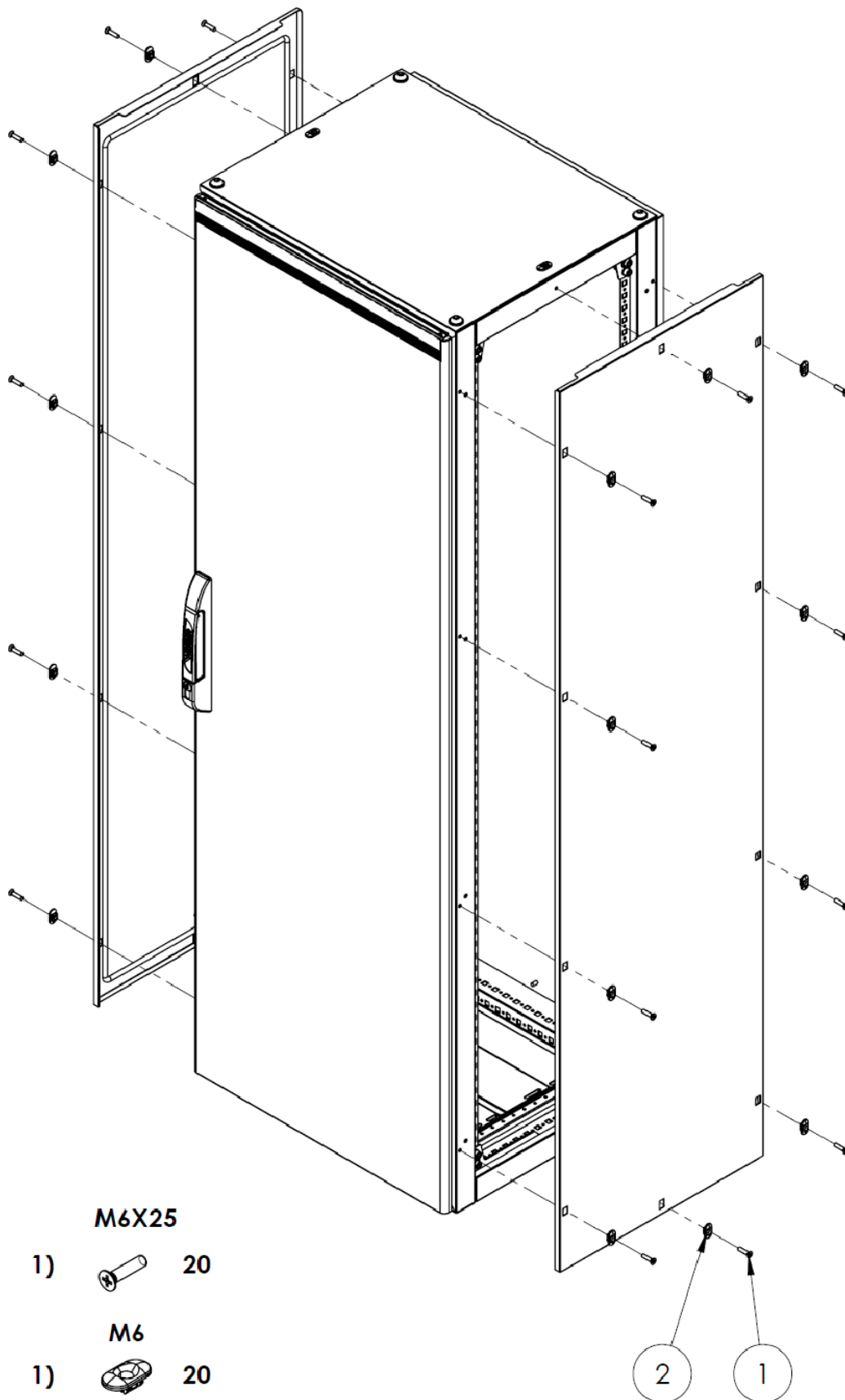
**DOUBLE DOOR REAR PANEL ASSEMBLY**



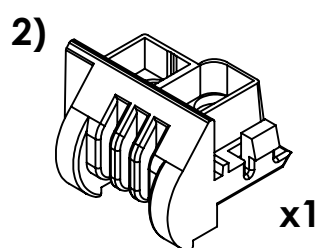
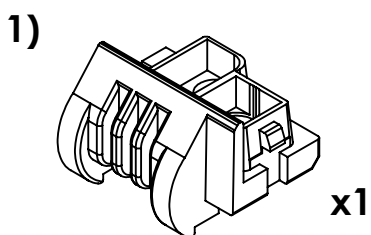
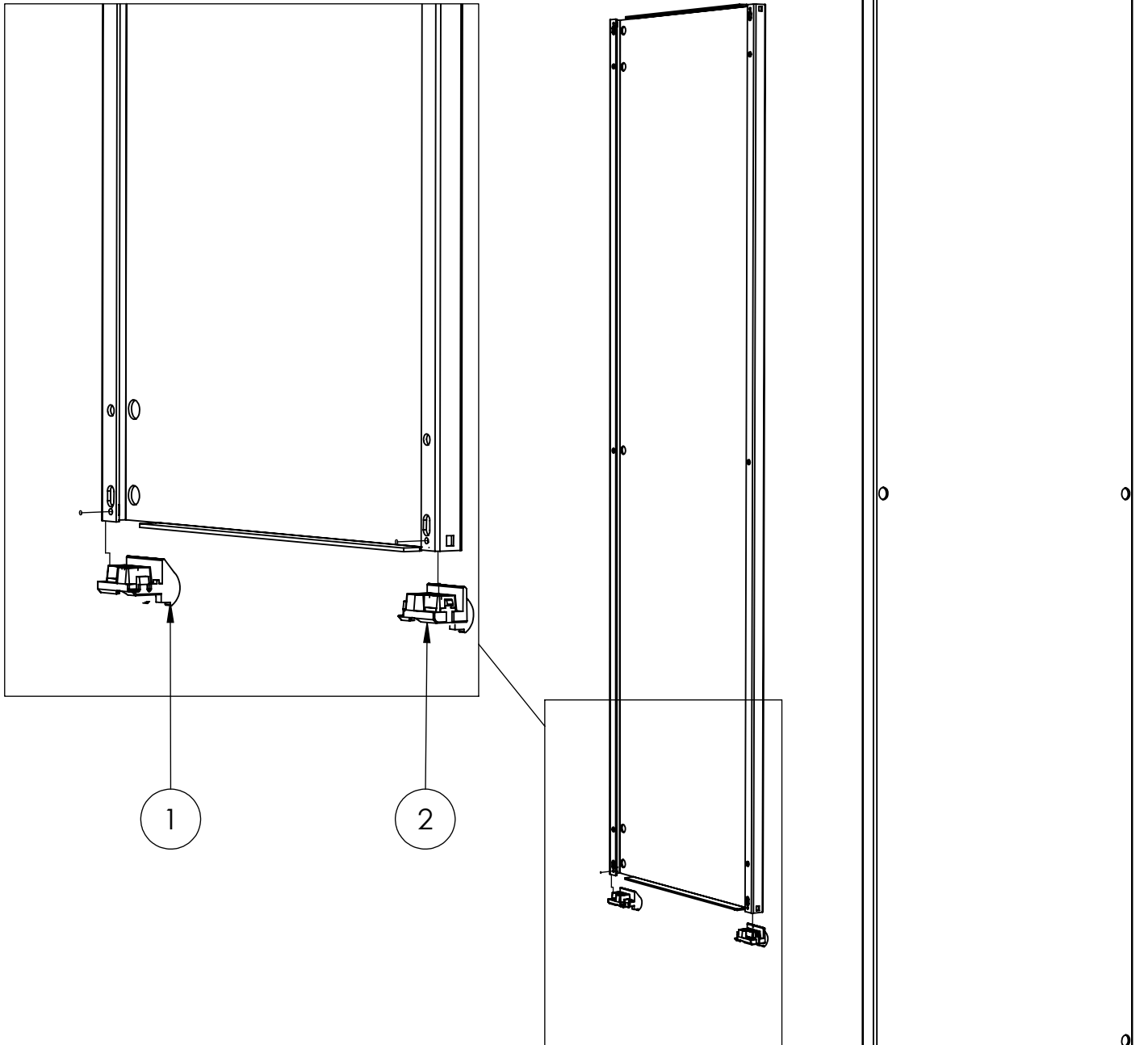
- 1)  x8
- 2)  M5x10 x20
- 3)  M6x23 x10
- 4)  M6 x10
- 5)  x2
- 6)  M6 x2



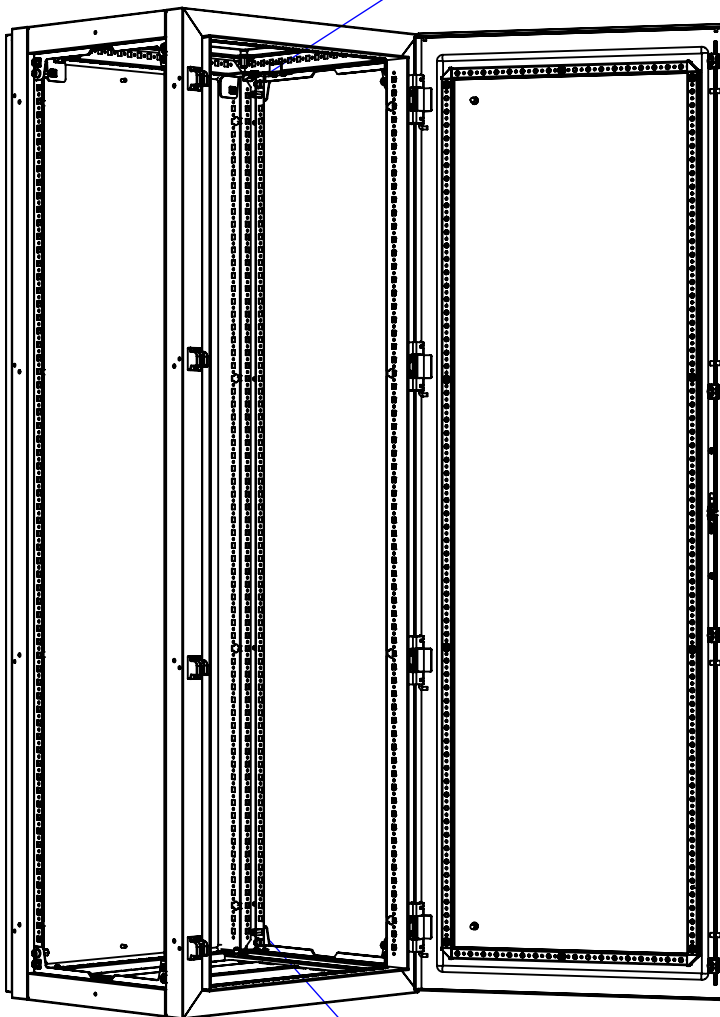
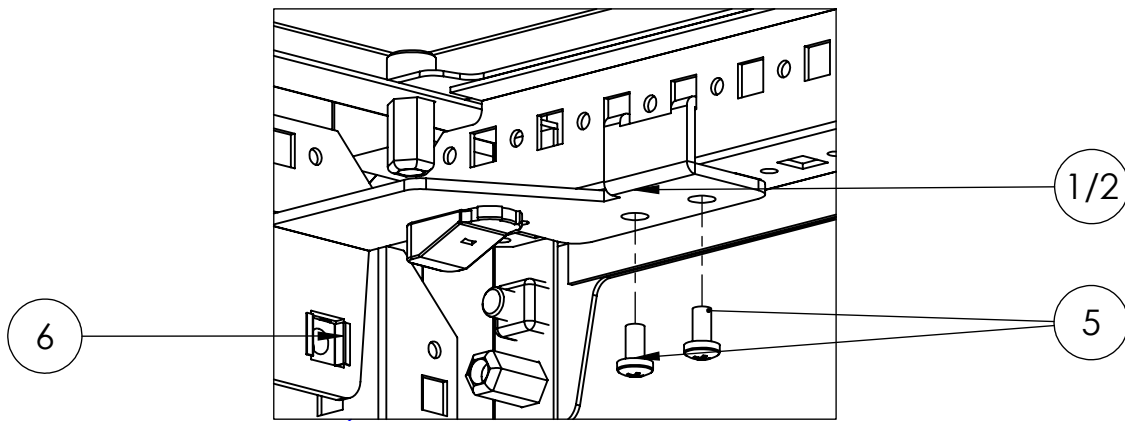
**SIDE PANEL ASSEMBLY**

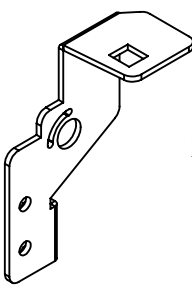
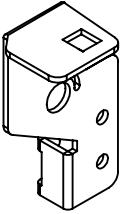
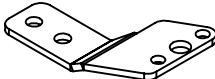
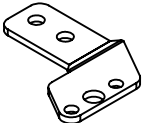





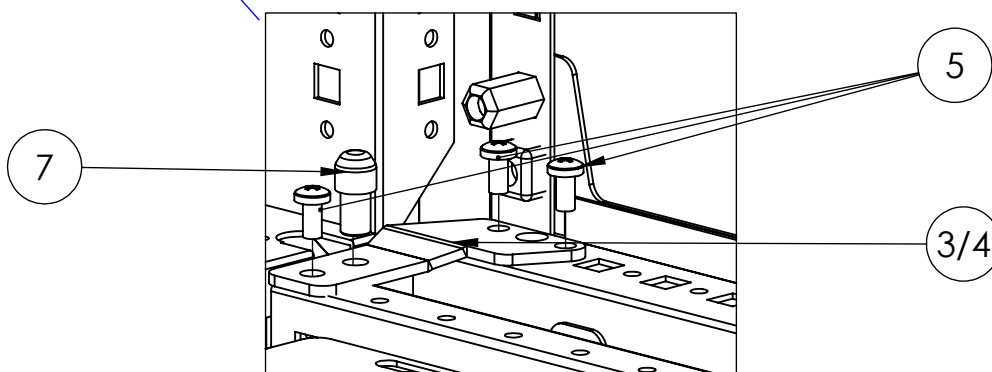
## MOUNTING PLATE ASSEMBLY



**MOUNTING PLATE MOVEABLE POSITION**

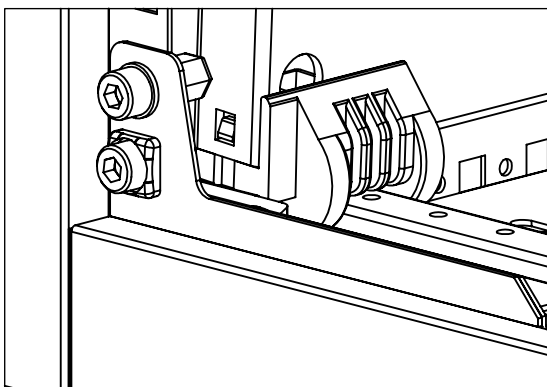
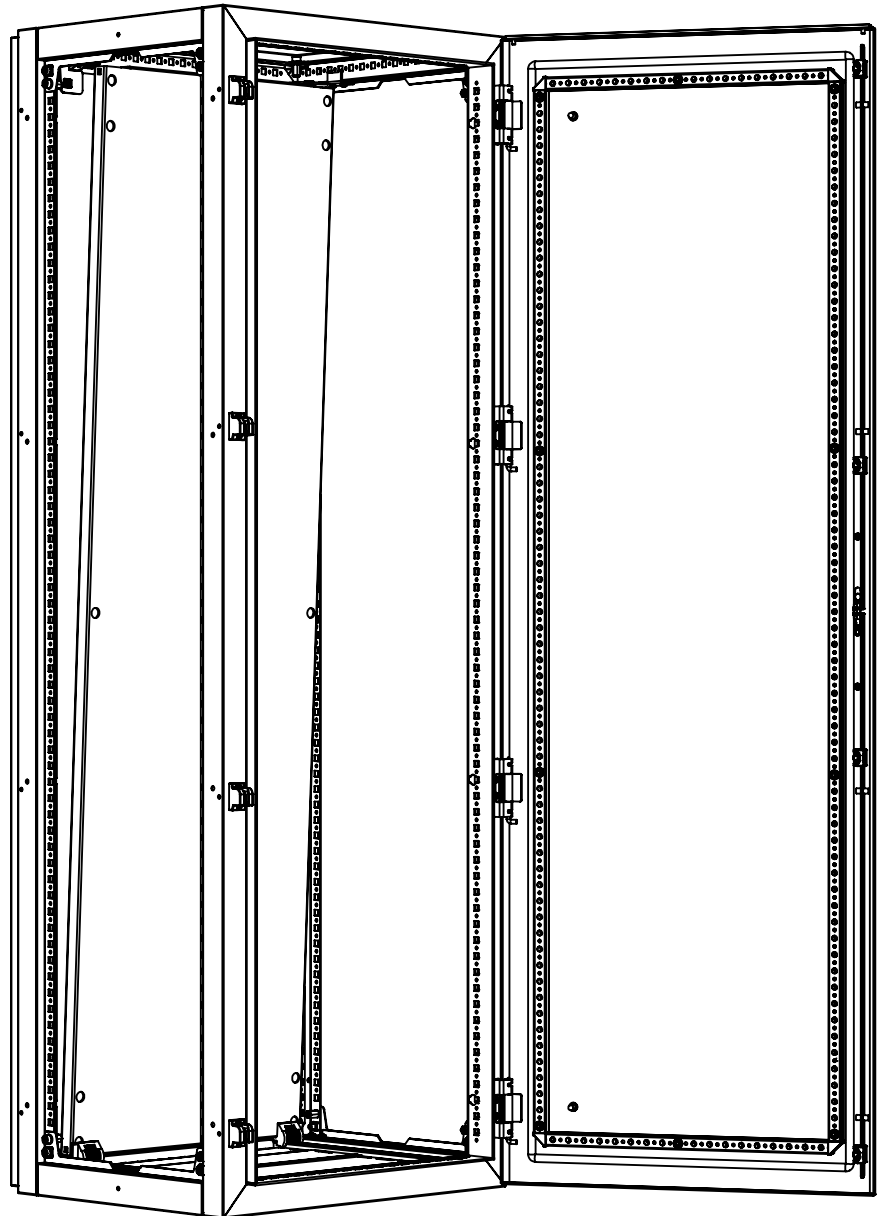
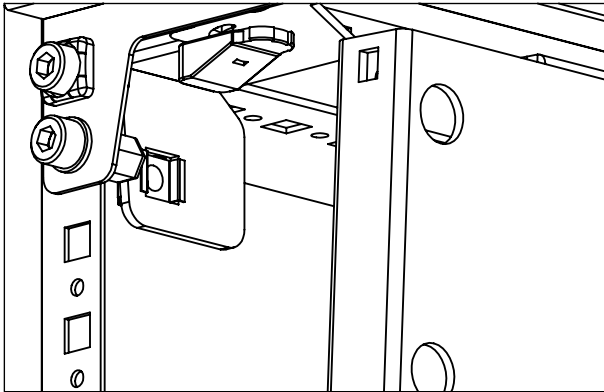


- 1)  x1
- 2)  x1
- 3)  x1
- 4)  x1
- 5) **M5x10**  x10
- 6) **M8**  x2
- 7)  x2

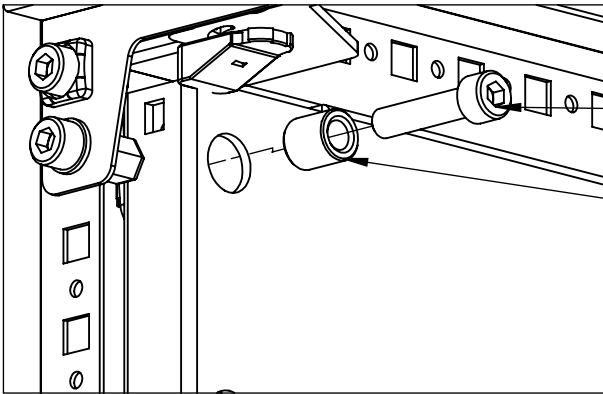




## MOUNTING PLATE MOVEABLE POSITION

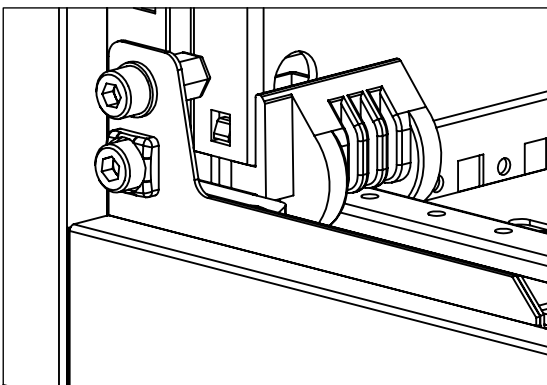
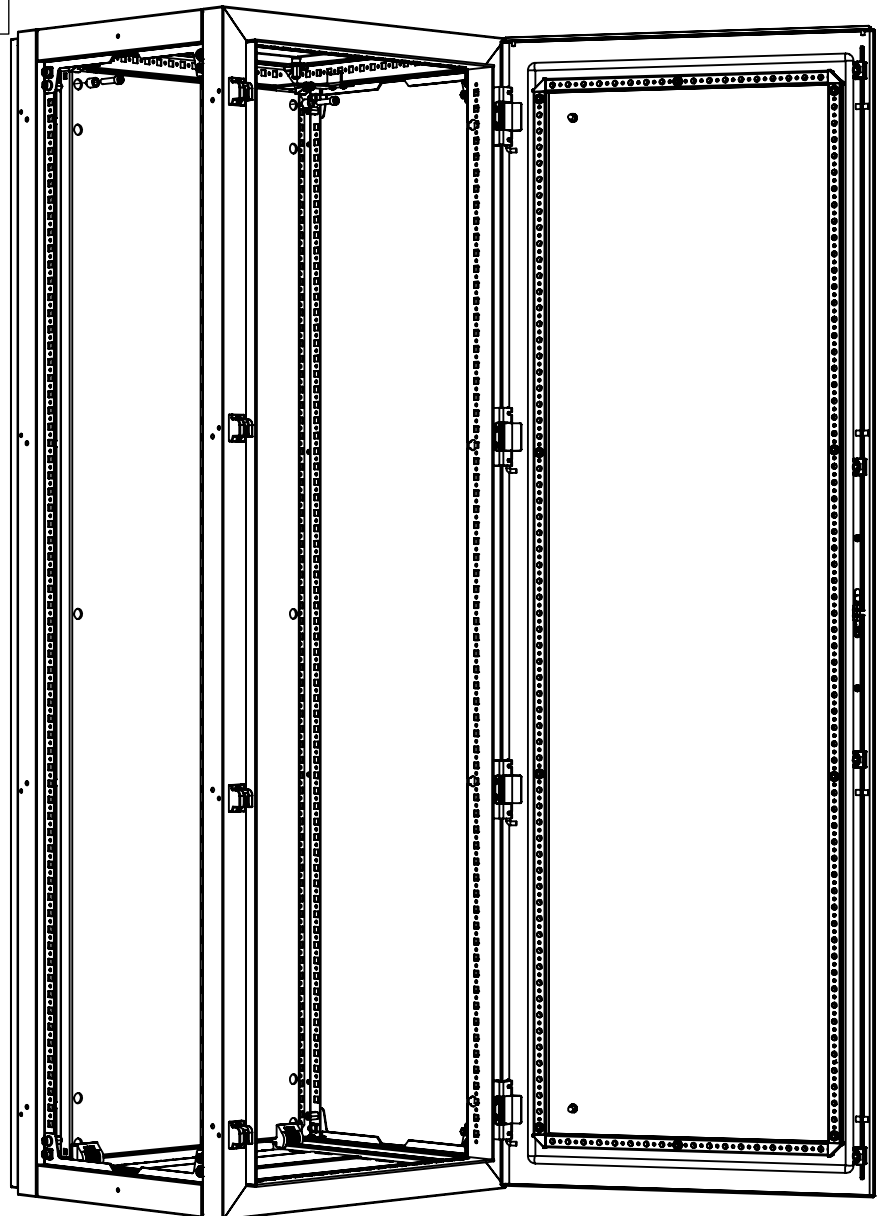
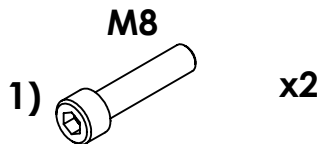


## MOUNTING PLATE MOVEABLE POSITION

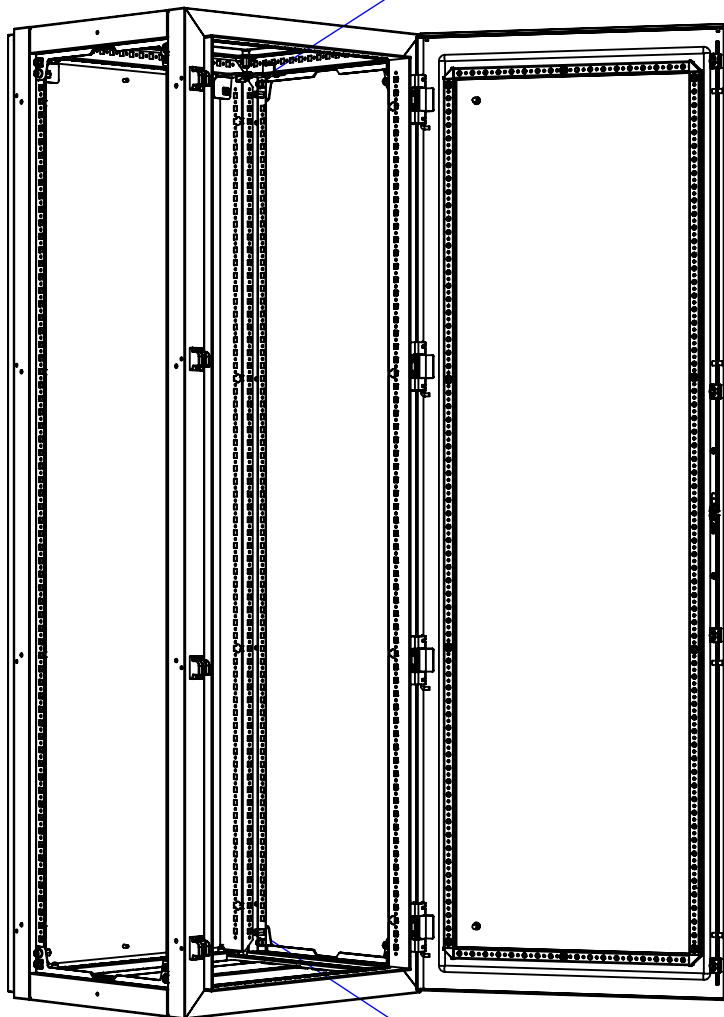
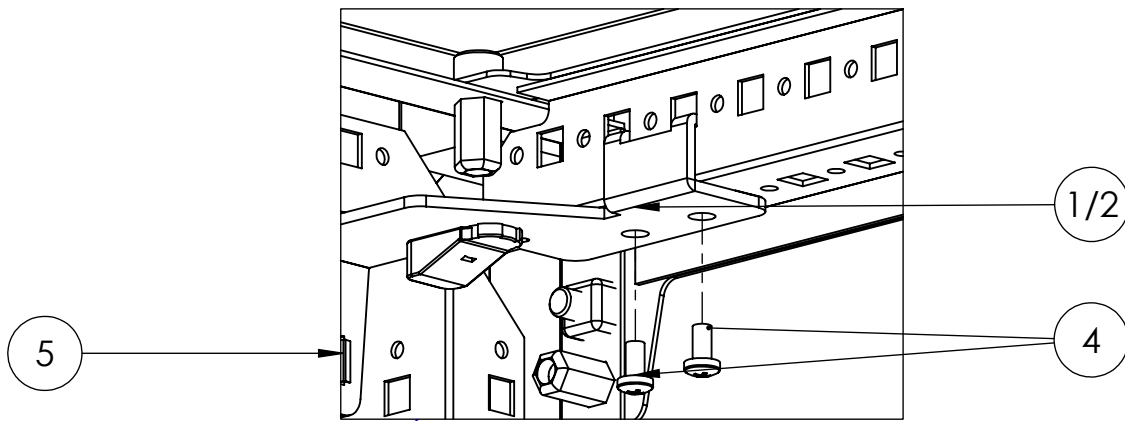


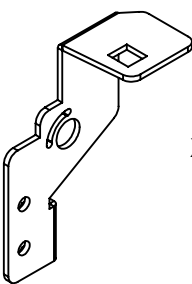
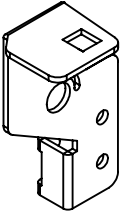



1

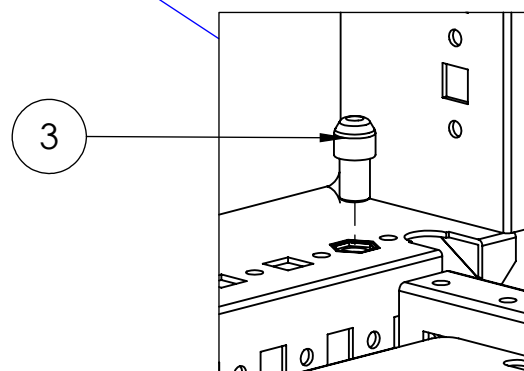
2



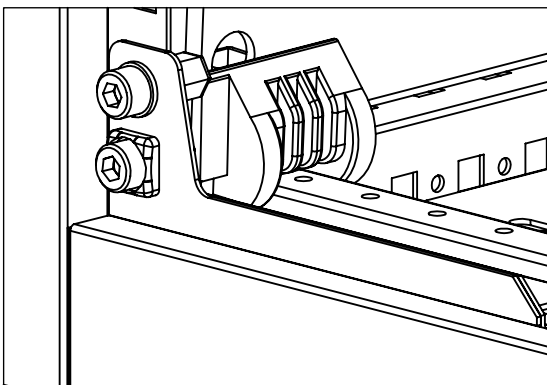
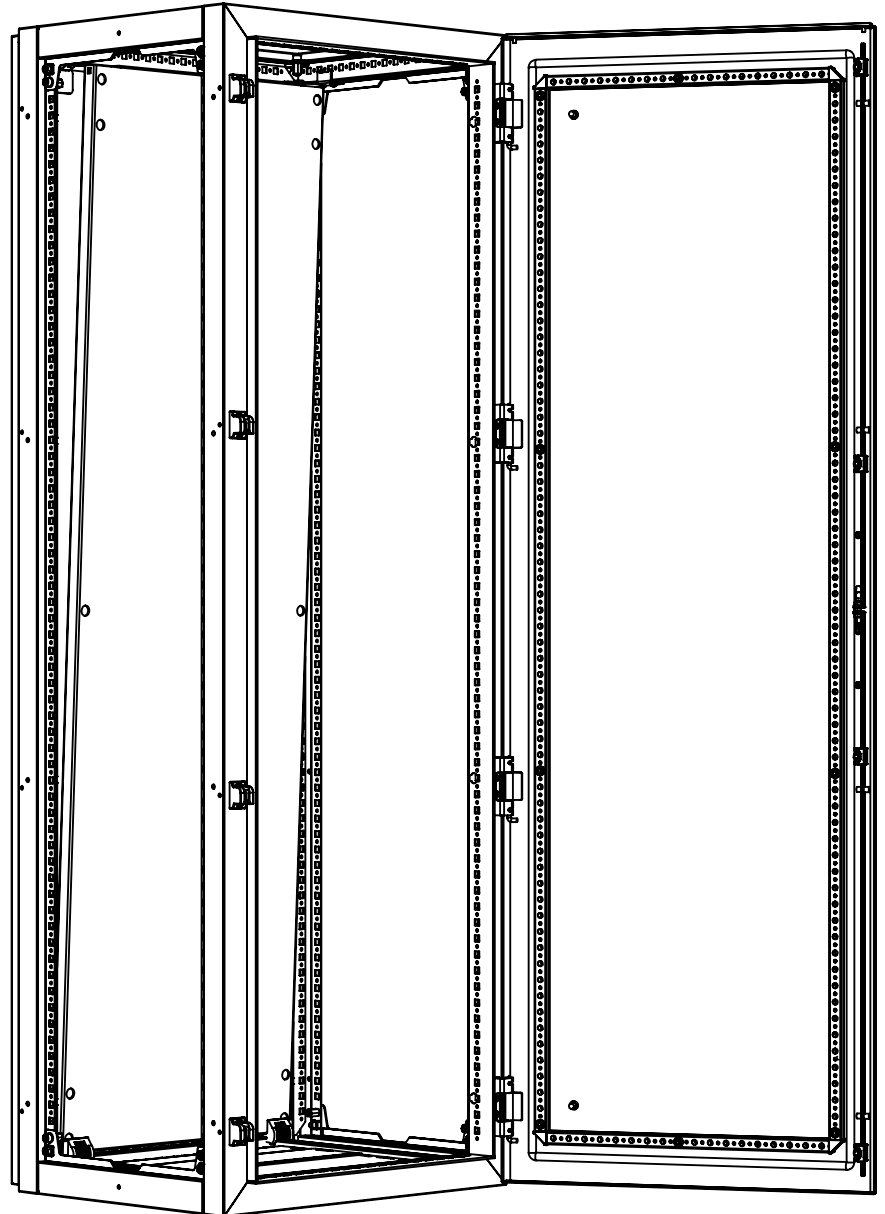
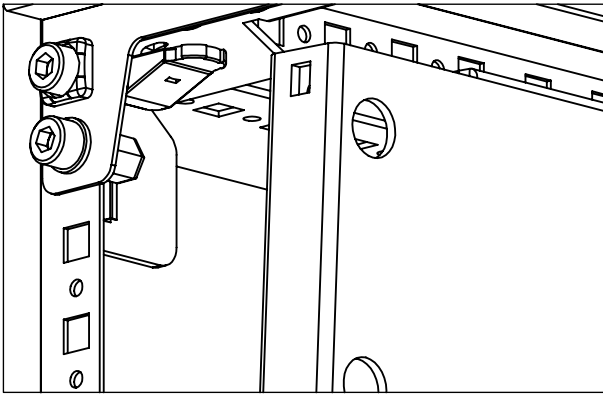
**MOUNTING PLATE REAR FIXED POSITION**



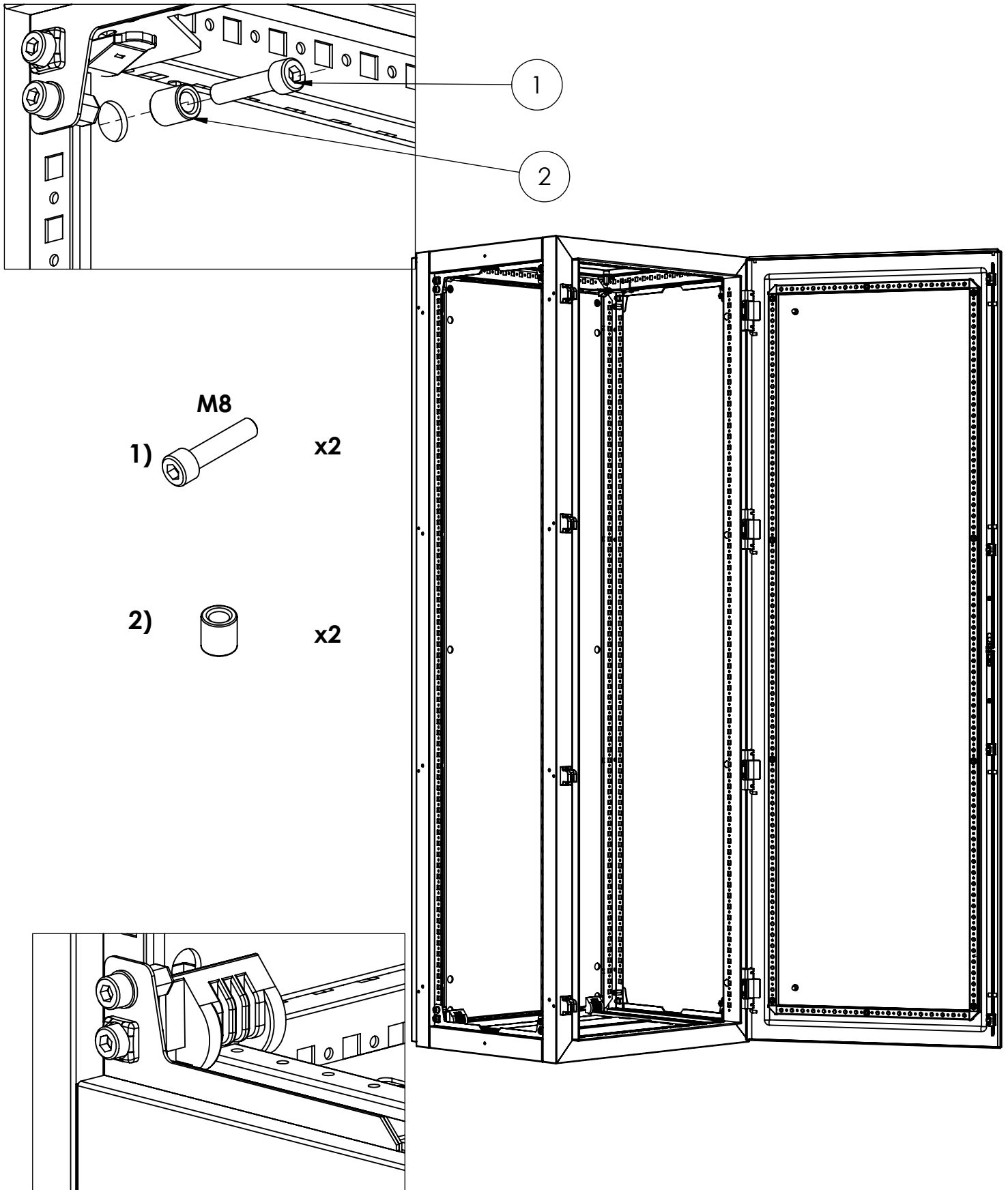
- 1)  x1
- 2)  x1
- 3)  x2
- 4)  M5x10 x4
- 5)  M8 x2



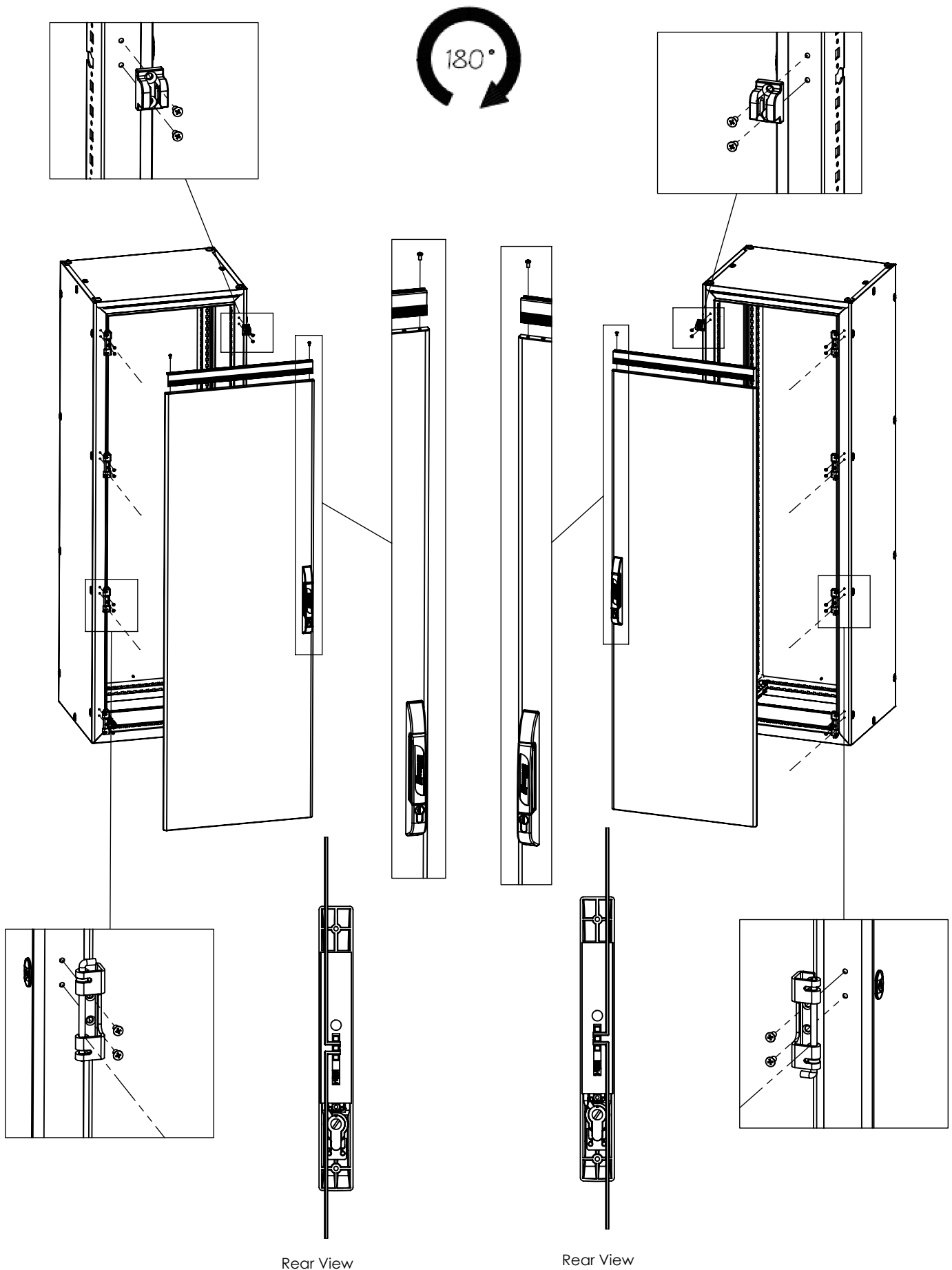
## MOUNTING PLATE REAR FIXED POSITION



## MOUNTING PLATE REAR FIXED POSITION



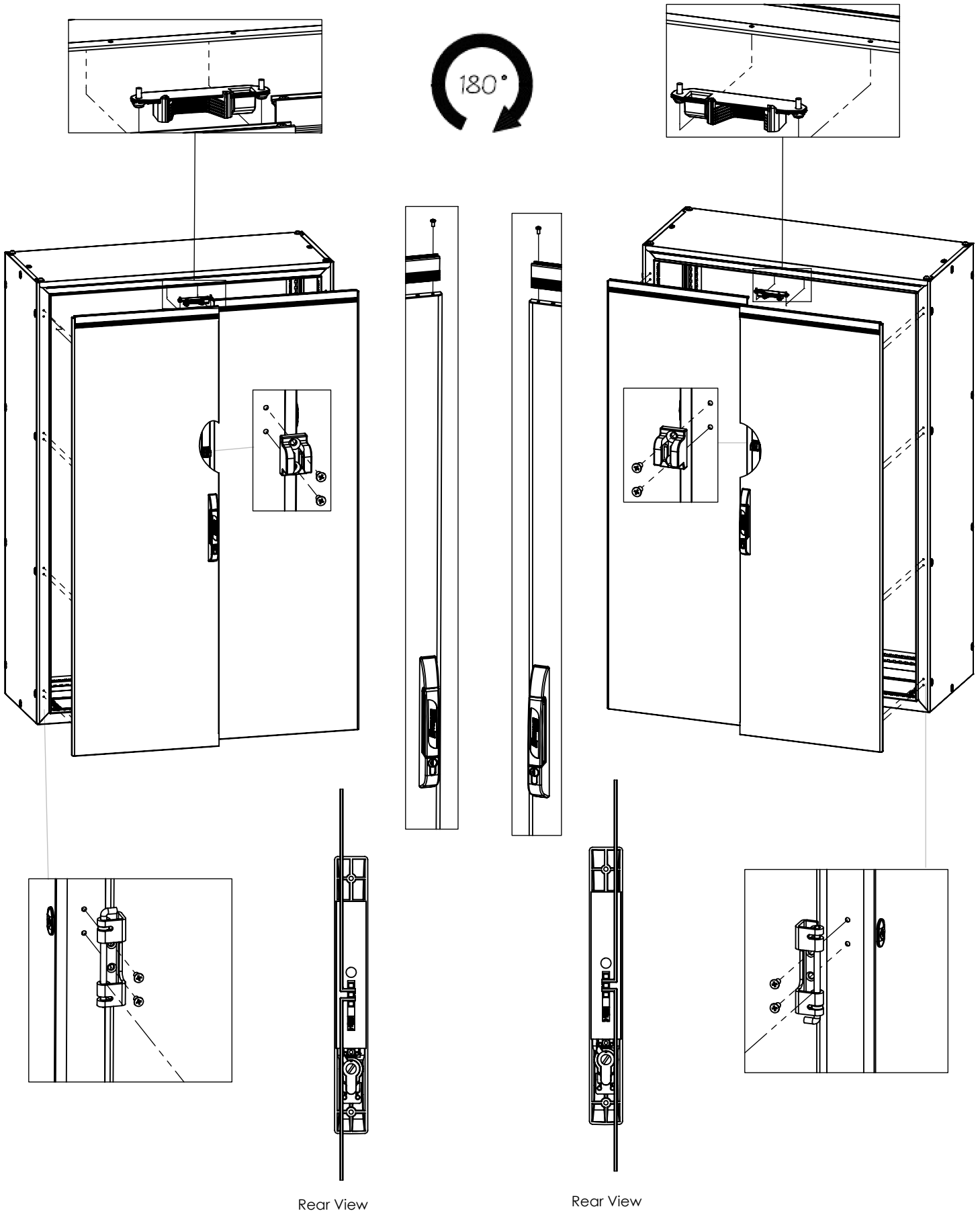
## DOOR ASSEMBLY



Rear View

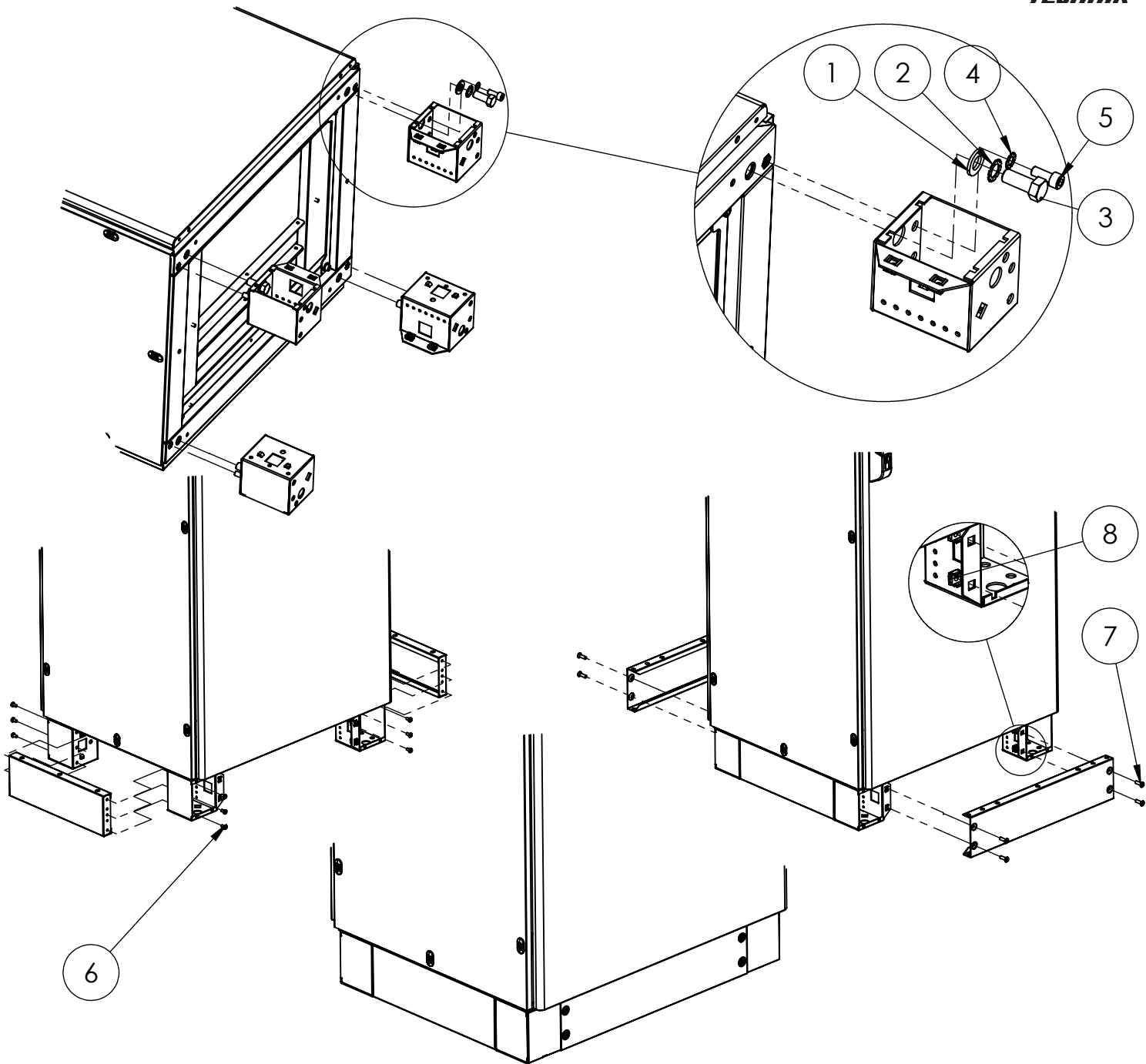
Rear View









**DOOR ASSEMBLY  
(DOUBLE DOOR)**

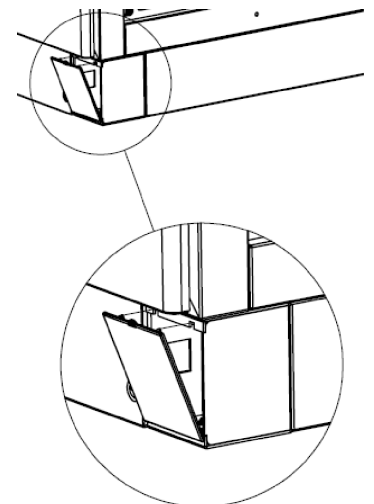


Rear View

Rear View

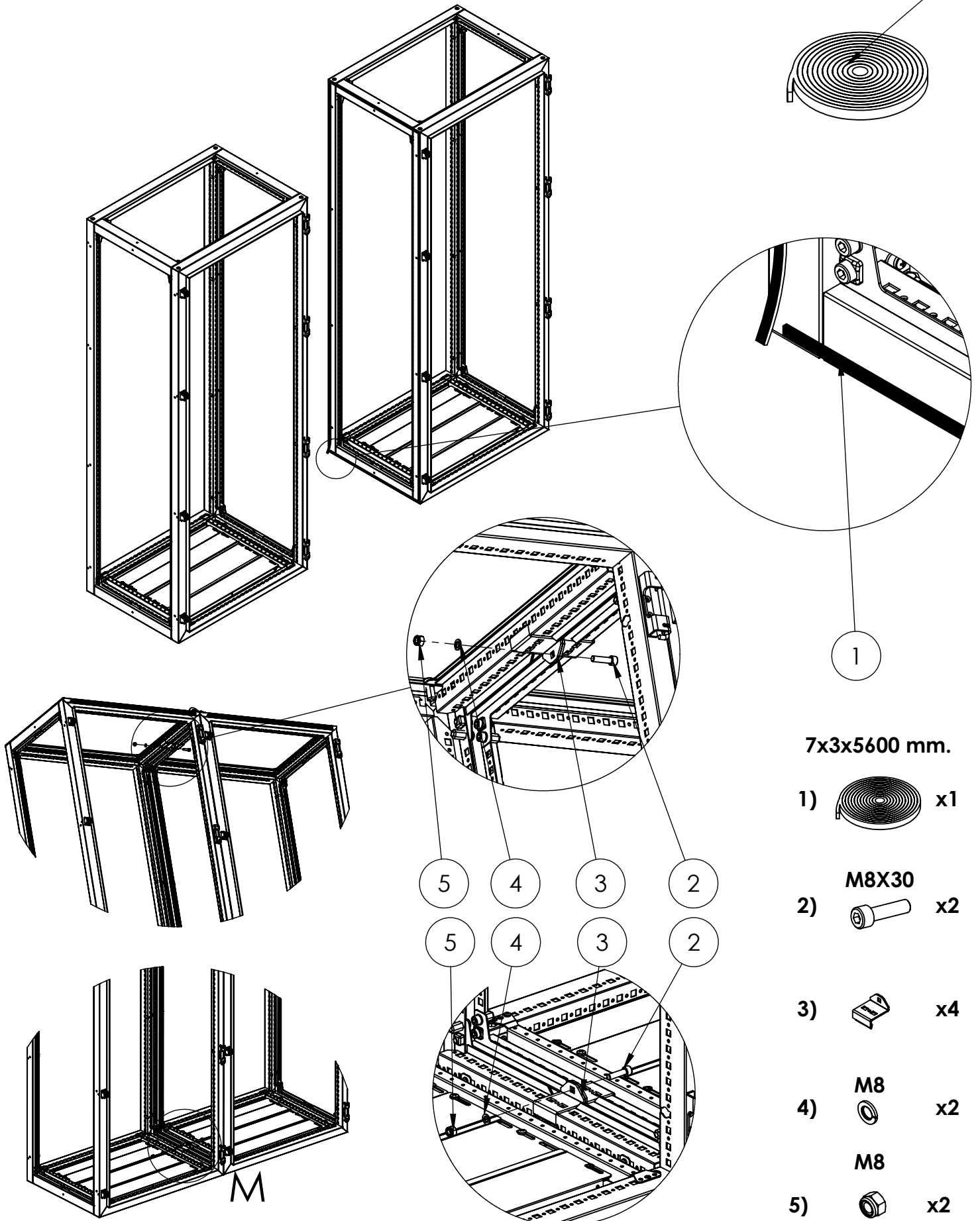


- |    |                                                                                        |    |                                                                                         |    |                                                                                        |
|----|----------------------------------------------------------------------------------------|----|-----------------------------------------------------------------------------------------|----|----------------------------------------------------------------------------------------|
| 1) |  x4 | 4) |  x4  | 7) |  x4 |
| 2) |  x4 | 5) |  x4  | 8) |  x4 |
| 3) |  x4 | 6) |  x12 |    |                                                                                        |

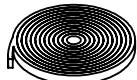
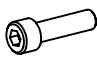







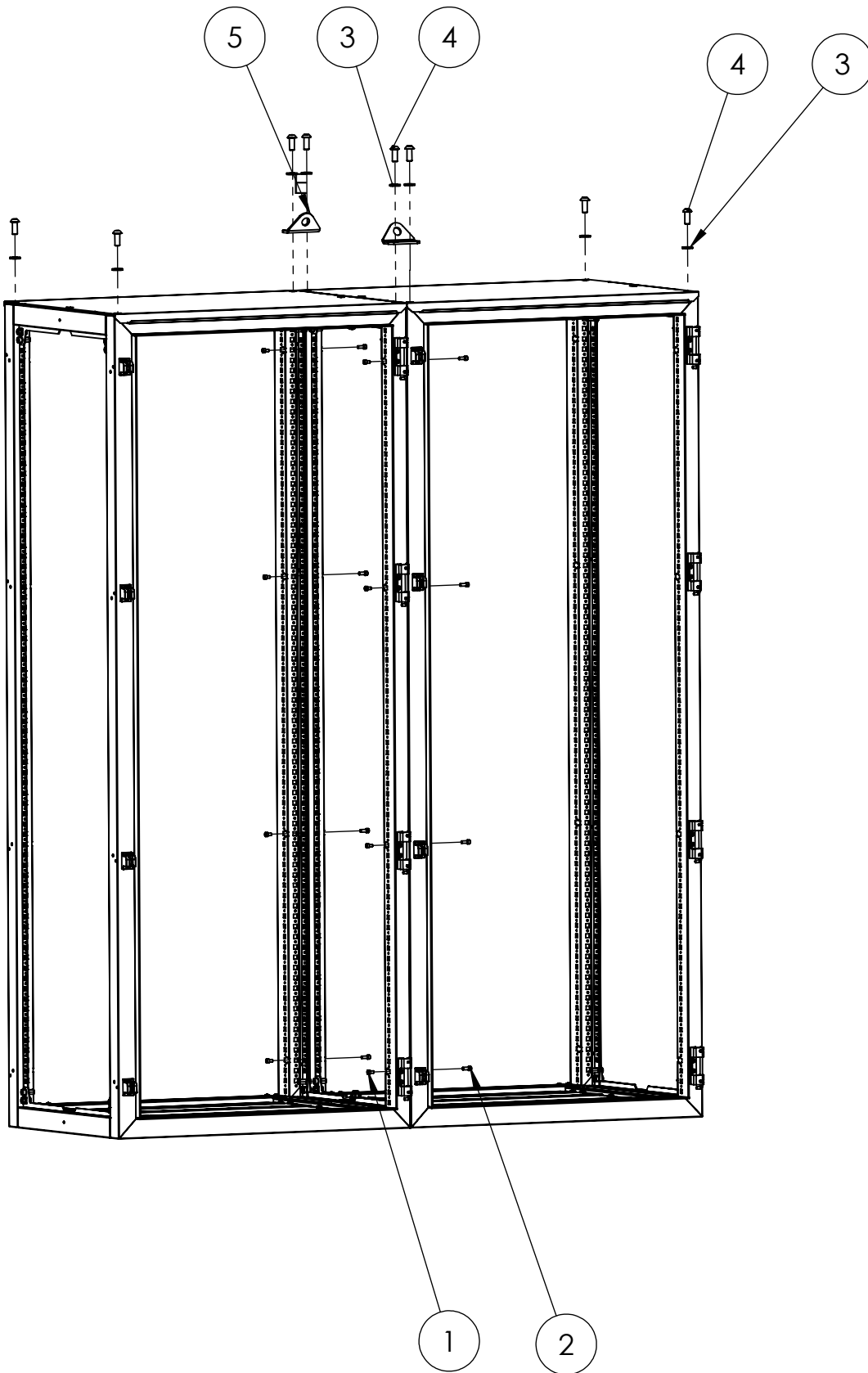
**BAYING KIT  
(Optional)**

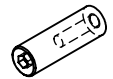


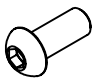
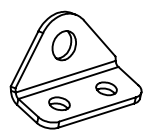


7x3x5600 mm.

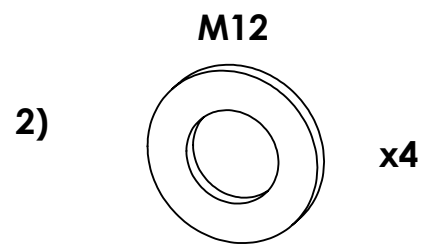
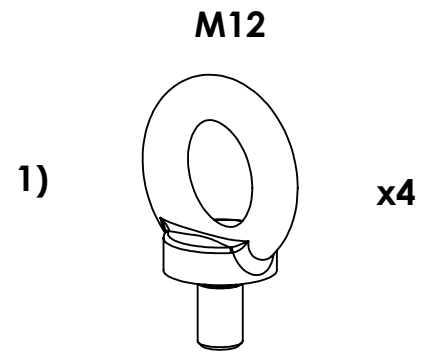
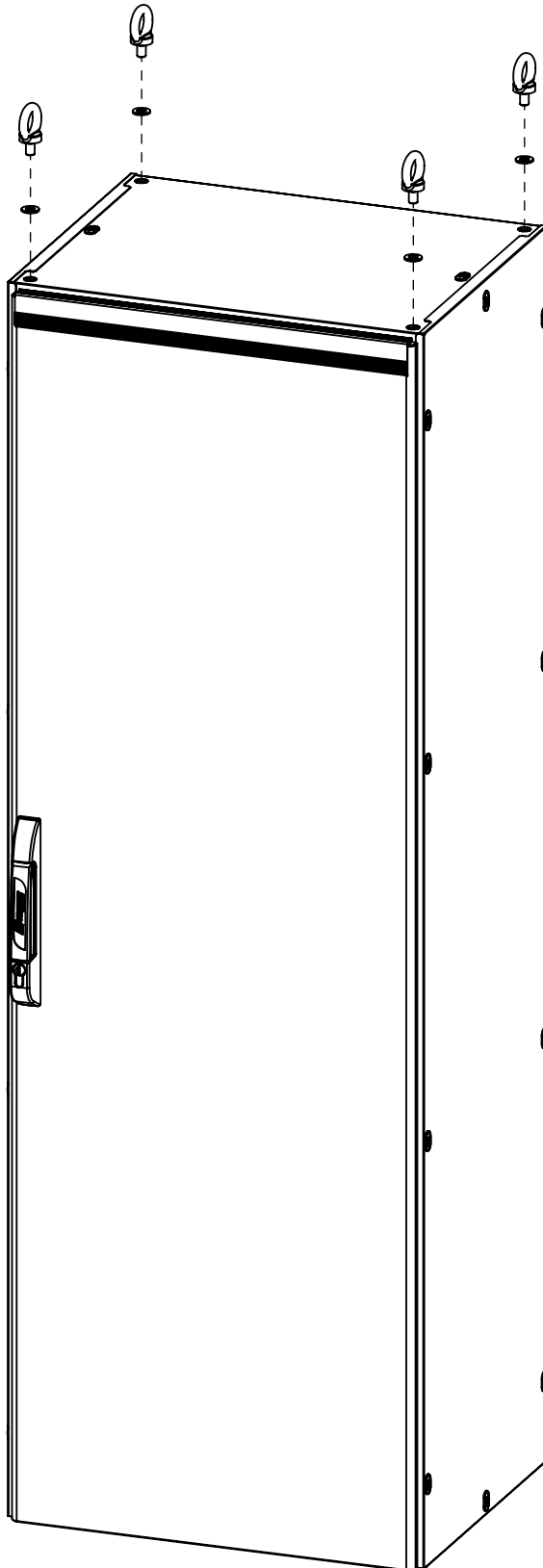
- 1)  x1
- 2)  M8X30 x2
- 3)  x4
- 4)  M8 x2
- 5)  M8 x2

**BAYING KIT  
(Optional)**



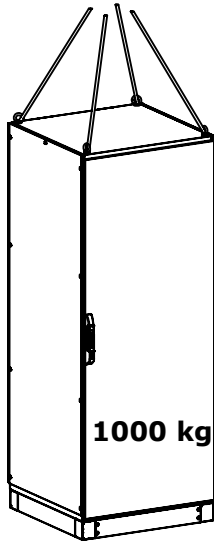
- 1)  x8
- 2)  x8
- 3)  x8
- 4)  x8
- 5)  x2

**EYEBOLT ASSEMBLY  
(Optional)**

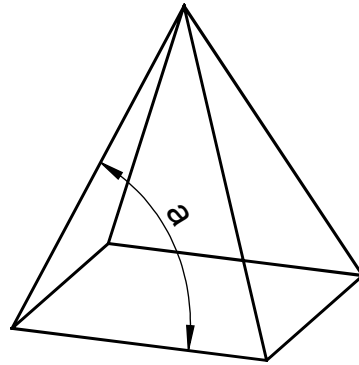
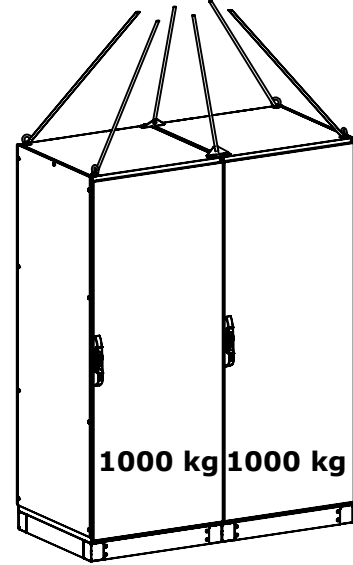


**TRANSPORT INFORMATION**

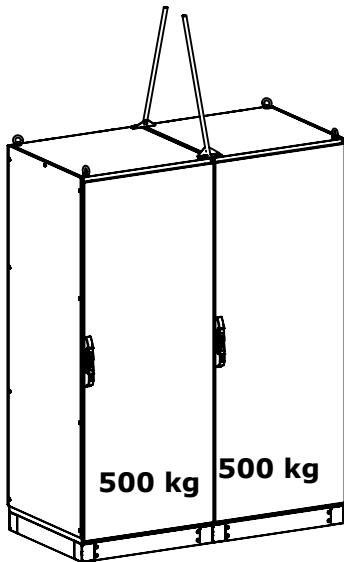
1000 kg



2000 kg

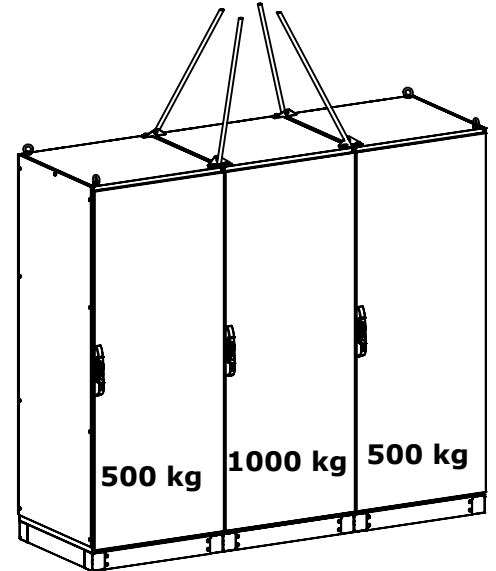


1000 kg

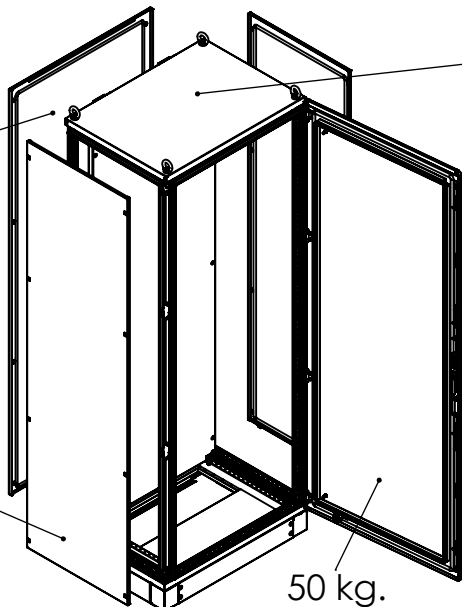


IDEAL  $\alpha \geq 90^\circ$   
MIN  $\alpha \geq 75^\circ$

2000 kg



>800 45 kg.  
<800 60 kg.



20 kg.



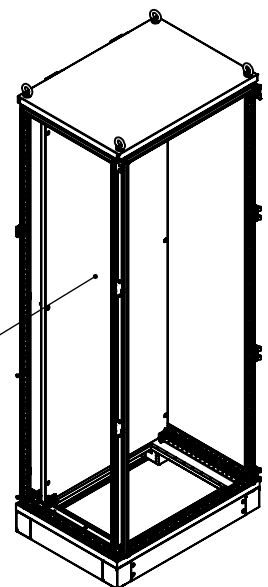
>800 45 kg.  
<800 60 kg.



50 kg.



500 kg.



\*By using plug-in rail brackets and scissile rails inside the enclosure extra 500 kg. can be loaded