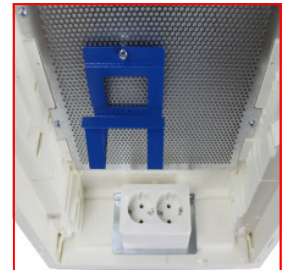
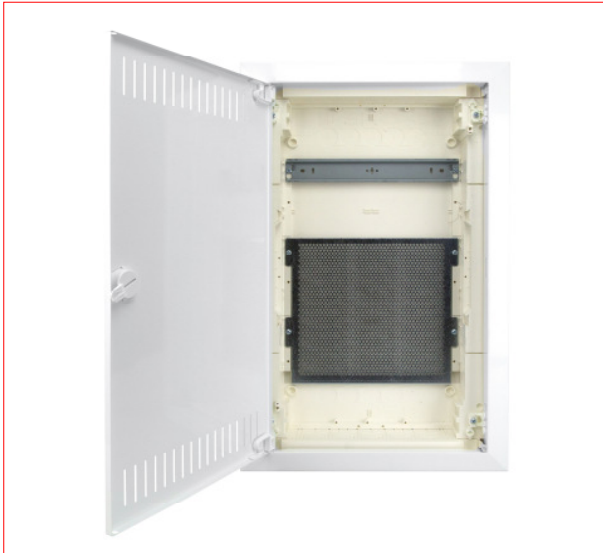


DATA SHEET:

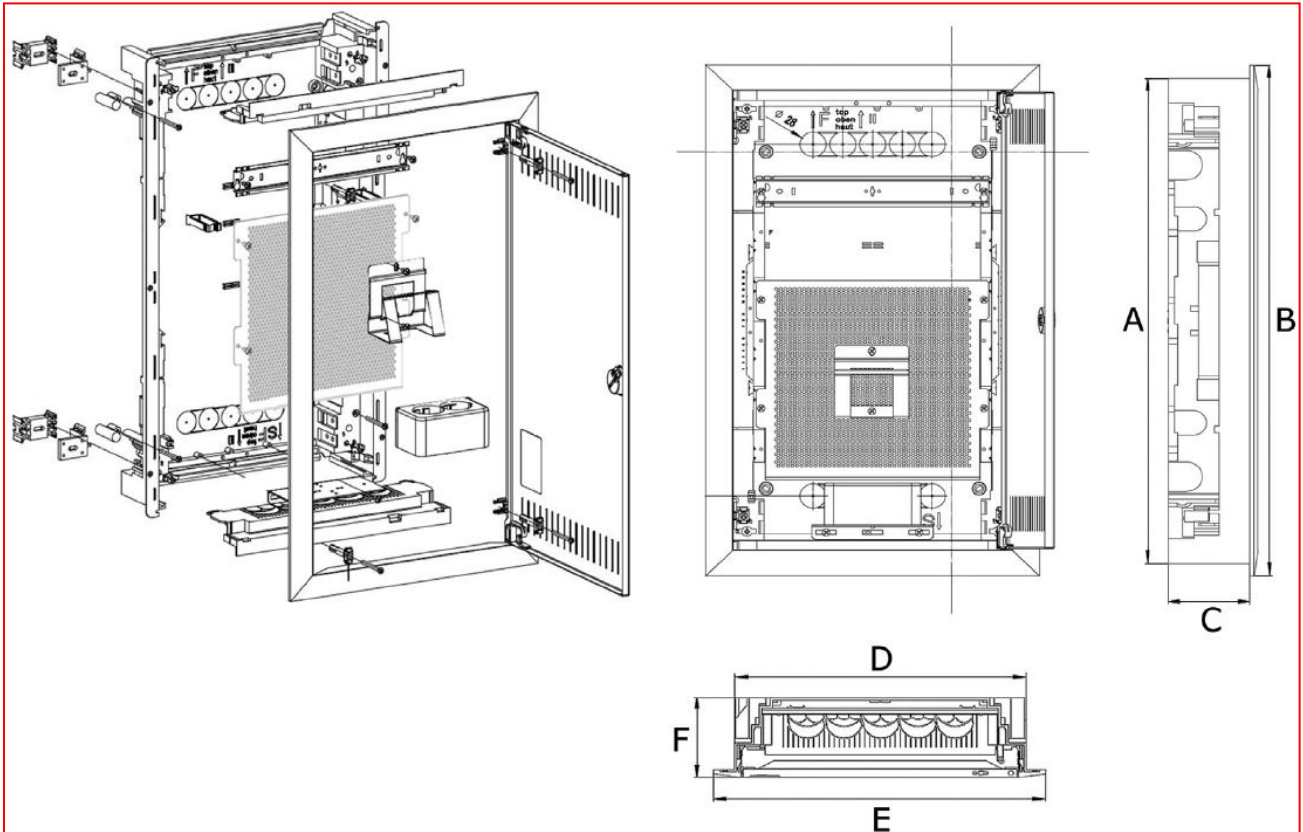
MEDIA DISTRIBUTOR FOR BRICK WALL MVM AND CAVITY WALL MVH



SCHRACK-INFO

- 3-to 4-row media distribution board: brick wall (BK073...) or cavity wall (BK074...)
- Available in two different frame designs: flat folding (approx. 1 mm) or high folding (approx. 6mm)
- Frame and door from coated sheet steel, with ventilation slot; device cover and wall box from self-extinguishing plastic, low level of halogene
- With a mounting rail on top of each, 12+2 modules
- Delivery contains a micro-perforated mounting plate for active and passive components
- Device holder and double socket incl. EURO2-adapter with plug-terminal up to 2.5mm<sup>2</sup> can be obtained as accessory
- Including an integrated level, 3D-plaster compensation (up to 18mm compensation possible)
- Cable entry slider with snap-on attachment
- Door turn lock fastener, replaceable with lock version (sash lock small cylinder)
- Conforms with IEC/EN 60670-24
- Protection class II
- Degree of protection IP30
- RAL9016 traffic white

**DIMENSIONS**

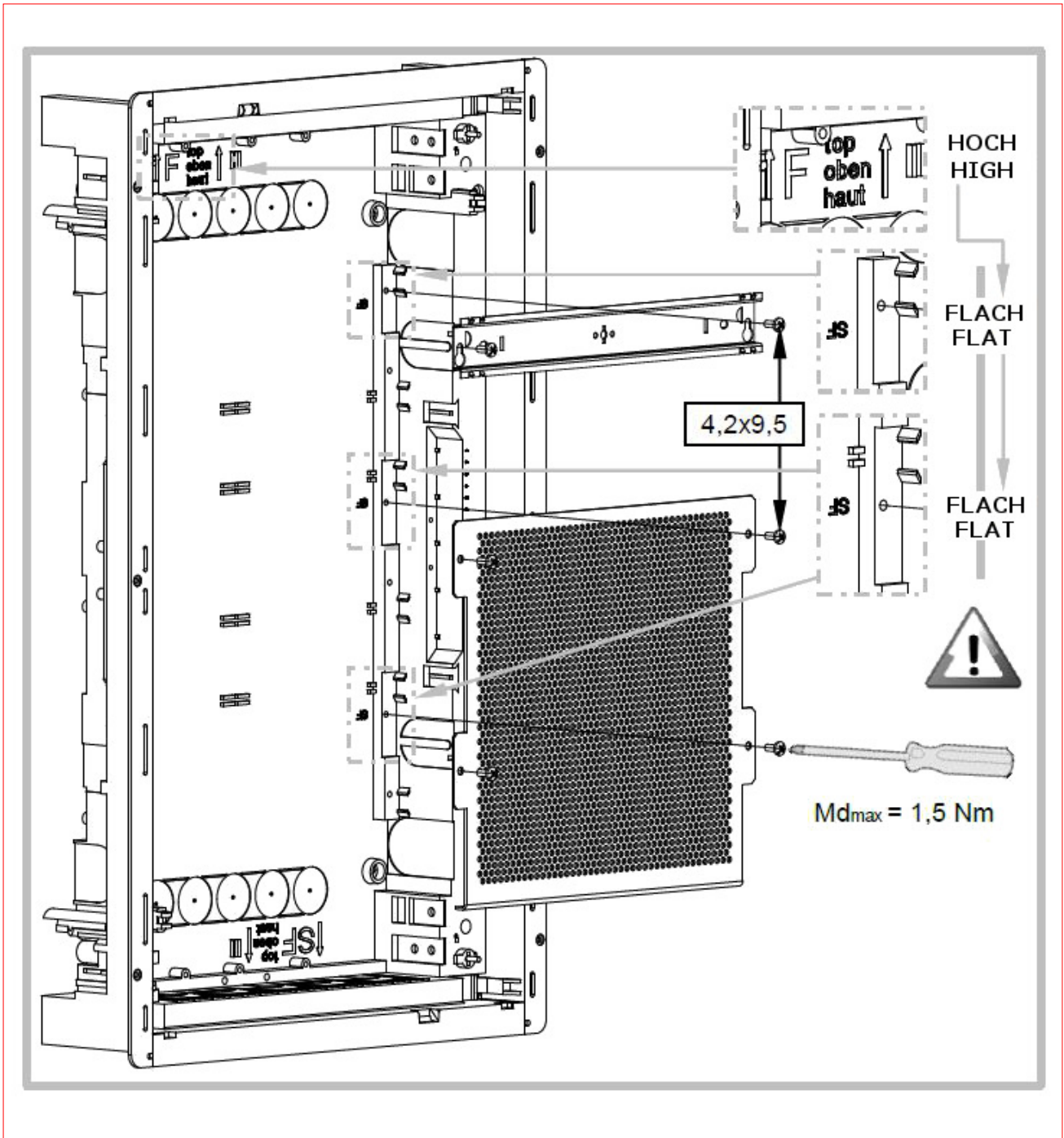


**TECHNICAL DATA**

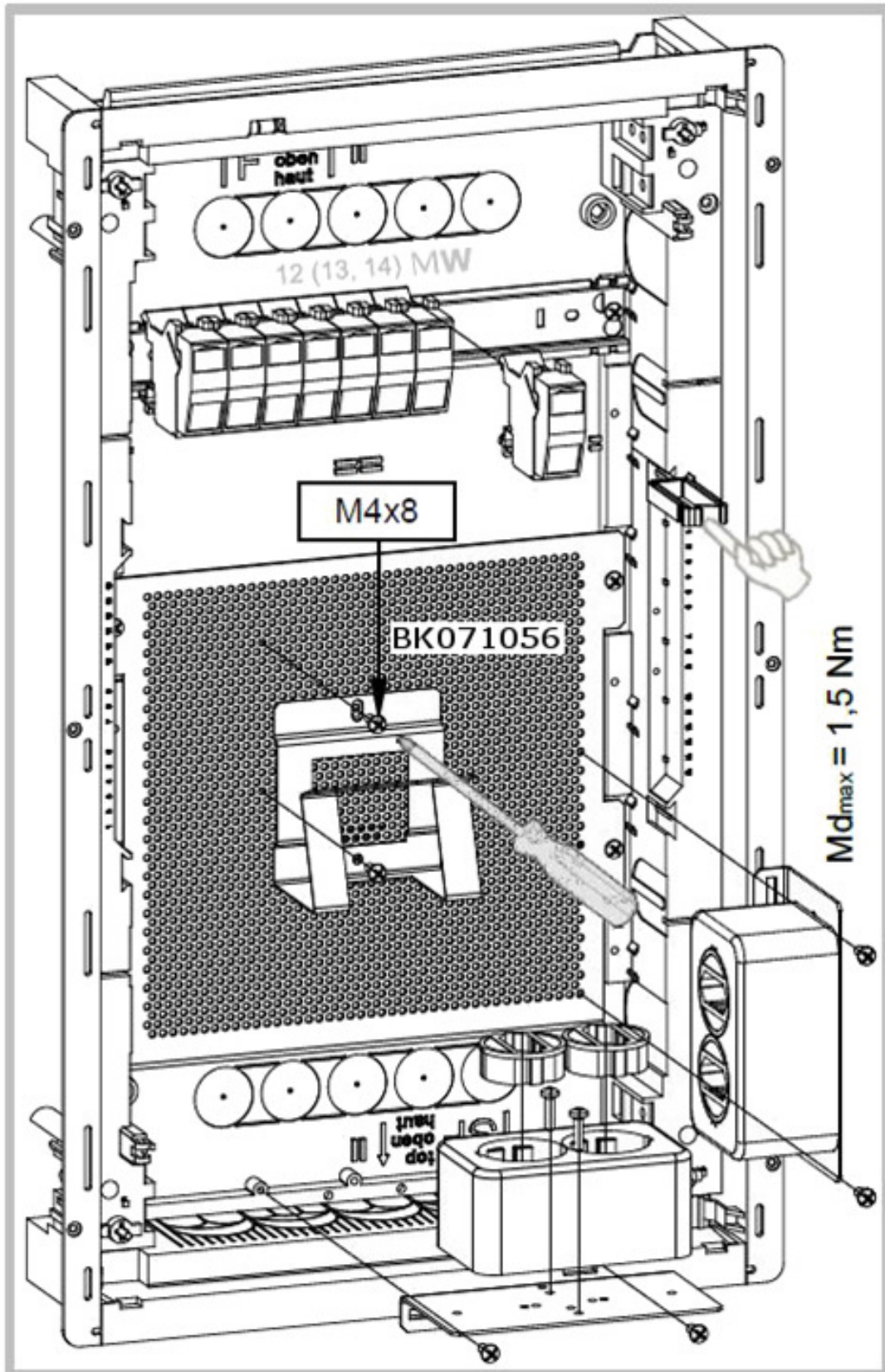
Article number		A	B	C	D	E	F	Rows	MW	Radiant power loss [W]*
		[mm]	[mm]	[mm]	[mm]	[mm]	[mm]			
<b>Frame flat</b>	<b>Frame high</b>									
BK073003--	BK073003-F	559	589	87,5	315	359	95	3	12+2	-43
BK073004--	BK073004-F	684	714	87,5	315	359	95	4	12+2	-48
BK074003--	BK074003-F	559	589	87,5	315	359	95	3	12+2	-43
BK074004--	BK074004-F	684	714	87,5	315	359	95	4	12+2	-48

\* max. radiated power of housing calculated as a flush mounted single fixed with  $\Delta T = 35K$ .

**MOUNTING**

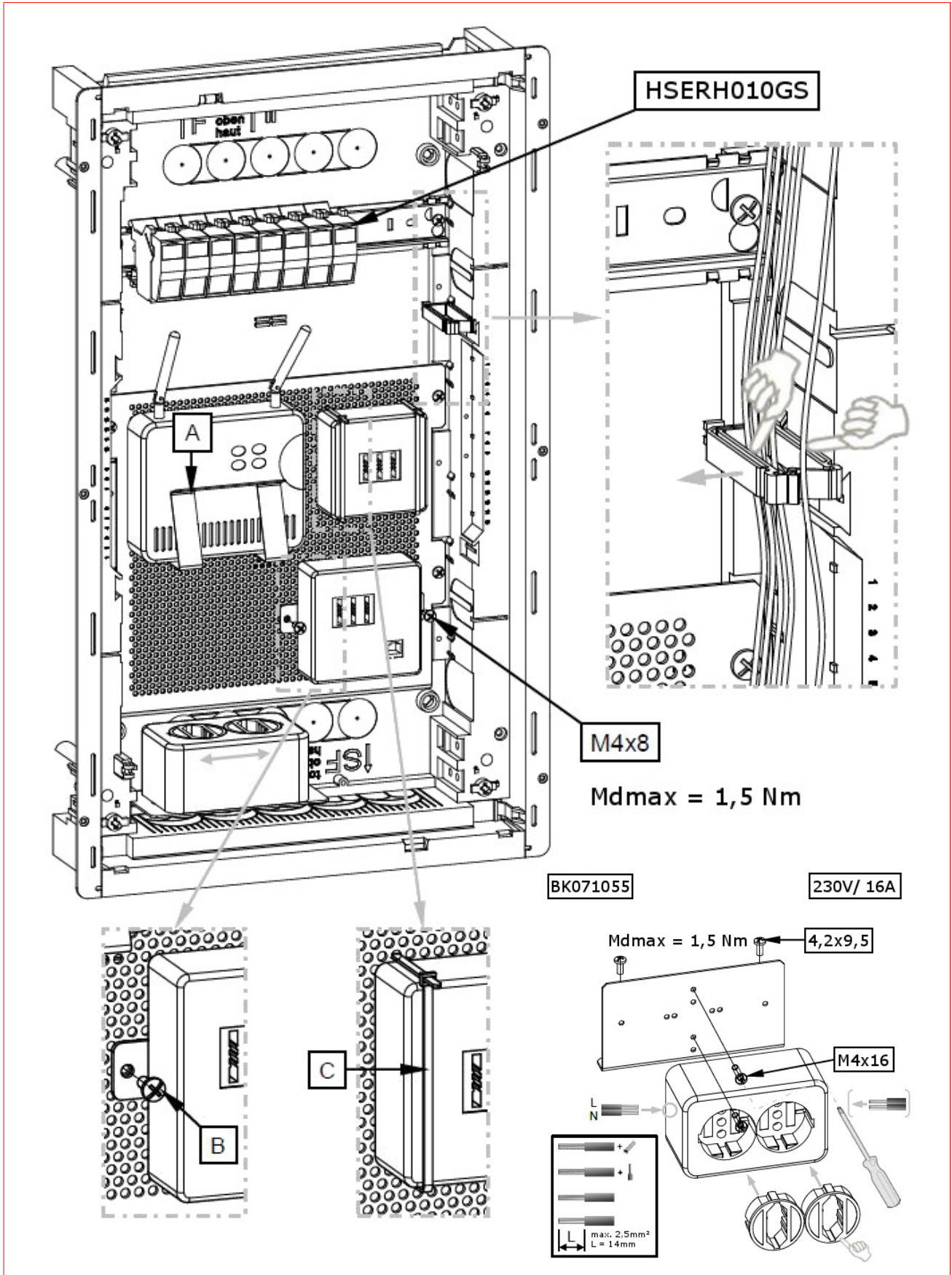


**MOUNTING**

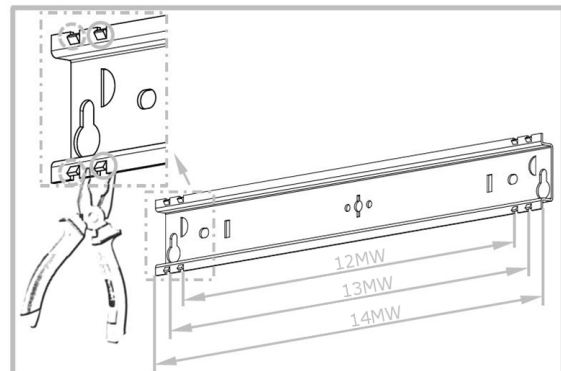
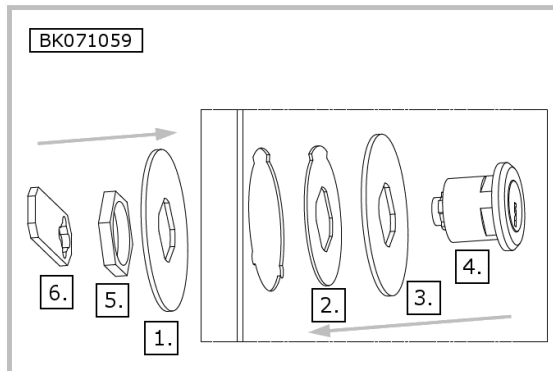
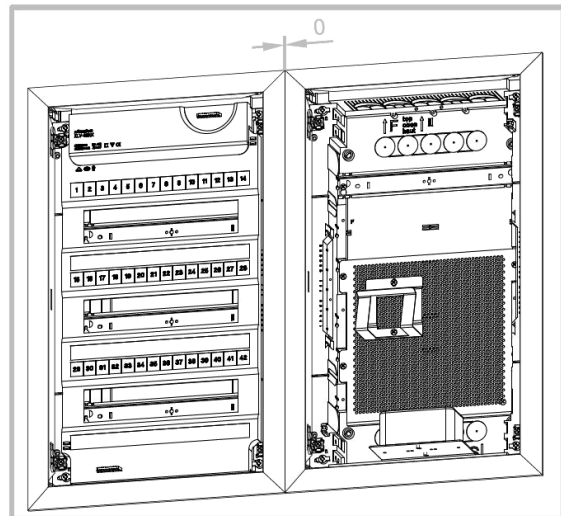
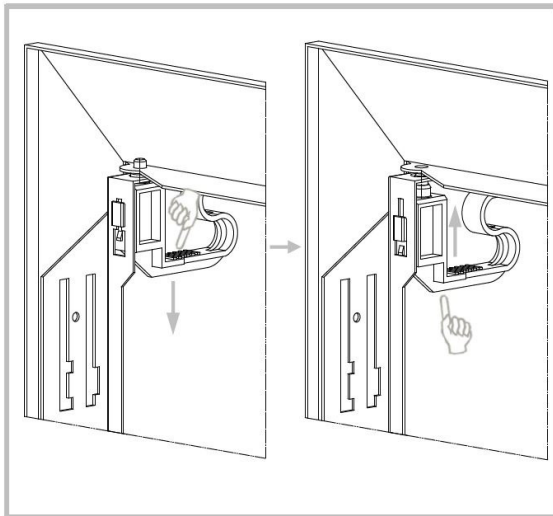
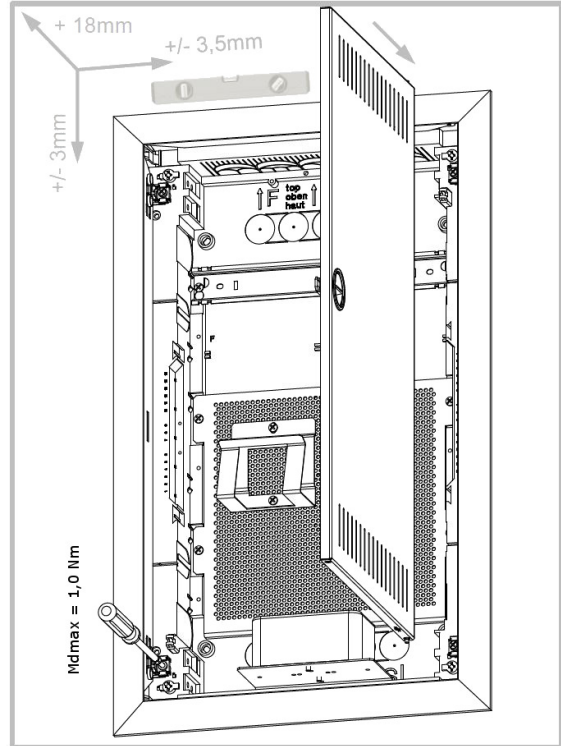
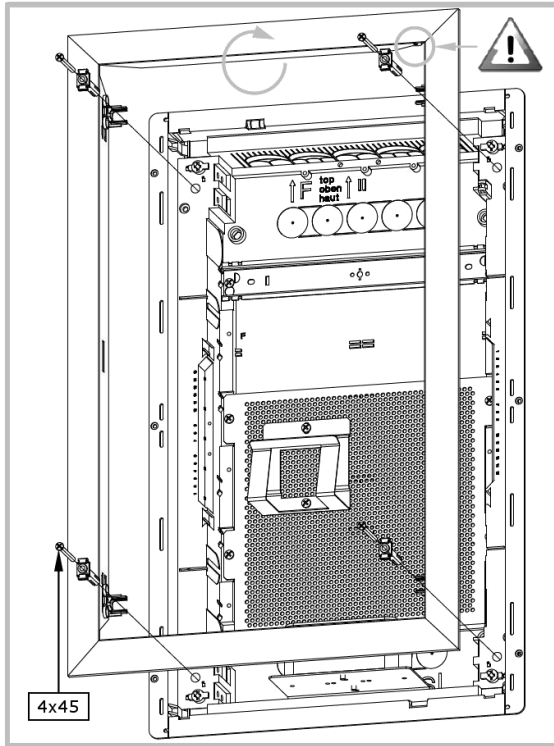




**MOUNTING**



**MOUNTING**



**■ MEDIA DISTRIBUTOR FOR BRICK WALL MVM AND CAVITY WALL MVH**

DESCRIPTION	BxHxT mm	ORDER NO.
<b>Brick wall MVM</b>		
<b>Frame (flat) with door from sheet steel and wall box</b>		
3-row, 12/14MW	359x589x95	<b>BK073003</b>
4-row, 12/14MW	359x714x95	<b>BK073004</b>
<b>Frame (high) with door from sheet steel and wall box</b>		
3-row, 12/14MW	359x589x99	<b>BK073003-F</b>
4-row, 12/14MW	359x714x99	<b>BK073004-F</b>
<b>Frame (flat) with door from sheet steel and wall box</b>		
3-row, 12/14MW	359x589x95	<b>BK074003</b>
4-row, 12/14MW	359x714x95	<b>BK074004</b>
<b>Cavity wall MVH</b>		
<b>Frame (high) with door from sheet steel and wall box</b>		
3-row, 12/14MW	359x589x99	<b>BK074003-F</b>
4-row, 12/14MW	359x714x99	<b>BK074004-F</b>
<b>Accessories</b>		
Cable holder		<b>BK071050</b>
Socket set for media enclosure, plug-in design		<b>BK071055</b>
Device holder set for media enclosure		<b>BK071056</b>
Bracket for horizontal side by side mounting		<b>BK071057</b>
Bracket for vertical combined mounting		<b>BK071058</b>
Lock set incl. 2 keys		<b>BK071059</b>